

## TPA3221 100W 立体声、200W 单声道 HD 音频模拟输入 D 类放大器

### 1 特性

- 7V 至 30V 宽电源电压工作范围
- 立体声 (2 个 BTL) 和单声道 (1 个 PBTL) 配置
- THD+N 为 10% 时的输出功率
  - 105W/4Ω, BTL 立体声配置
  - 112W/3Ω, BTL 立体声配置
  - 208W/2Ω, PBTL 单声道配置
- THD+N 为 1% 时的输出功率
  - 88W/4Ω, BTL 立体声配置
  - 100W/3Ω, BTL 立体声配置
  - 170W/2Ω, PBTL 单声道配置
- 5V 栅极驱动器或内置 LDO, 支持可选单电源操作
- 闭环反馈设计
  - 高达 100kHz 的信号带宽, 适用于来自 HD 源的高频内容
  - 1W/4Ω 时的 THD+N 为 0.02%
  - 60dB PSRR (BTL, 无输入信号)
  - 输出噪声 (A 加权) 小于 75μV
  - 信噪比 (A 加权) 大于 108dB
  - AD 或 HEAD 调制方案
- 低功耗运行模式
  - 待机模式: 静音且关断电流小于 1mA
  - 低空闲电流 HEAD 调制方案
  - 单通道 BTL 运行
- 多输入选项, 可简化前置放大器设计
  - 差分或单端模拟输入
  - 可选增益: 18dB、24dB、30dB、34dB
- 集成式保护: 欠压、逐周期电流限制、短路、削波检测、过热警告和关断以及直流扬声器保护
- 90% 高效 D 类运行 (4Ω)
- 散热焊盘位于封装底部
- 具有电压和功率级别选项的引脚兼容器件系列

### 2 应用

- [蓝牙和 Wi-Fi™ 扬声器](#)
- [条形音箱](#)
- [低音炮](#)
- [书架立体声音响系统](#)
- [专业和公共广播 \(PA\) 扬声器](#)

### 3 说明

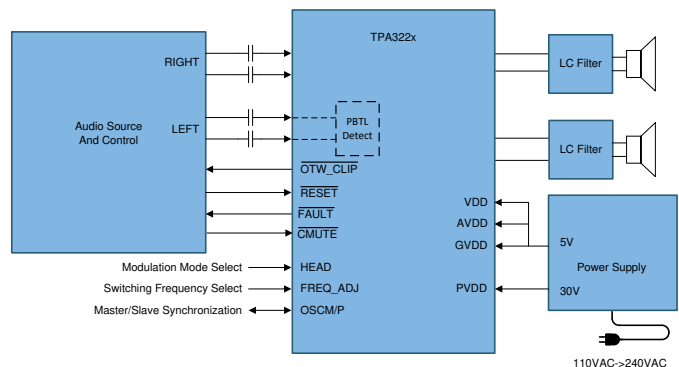
TPA3221 是一款可在全功率、空闲和待机状态下实现高效运行的大功率 D 类放大器。该器件具有高达 100kHz 带宽的闭环反馈, 从而在音频频带内实现低失真并提供出色的音质。该器件以 AD 或低空闲电流 HEAD (高效 AD 模式) 调制运行, 最多可为 4Ω 负载提供 2 x 105W 的峰值功率, 或为 2Ω 负载提供 1 x 208W 的峰值功率。

TPA3221 具有单端或差分模拟输入接口, 最高支持 2V<sub>RMS</sub>, 具有四种可选增益: 18dB、24dB、30dB 和 34dB。TPA3221 还实现了大于 90% 的效率、低空闲功率 (<0.25W) 和超低待机功耗 (<0.1W)。这是通过采用 70mΩ MOSFET、经优化的栅极驱动方案和低功耗运行模式实现的。TPA3221 内置一个 LDO, 便于集成到单电源系统中。为进一步简化设计, 该器件集成了重要的保护功能, 包括欠压、逐周期电流限制、短路、削波检测、过热警告和关断以及直流扬声器保护。

#### 器件信息 (1)

| 器件型号    | 封装          | 本体尺寸 (标称值)     | 封装尺寸(2)        |
|---------|-------------|----------------|----------------|
| TPA3221 | HTSSOP (44) | 14.0mm × 6.1mm | 14.0mm × 8.1mm |

- (1) 如需了解所有可用封装, 请参阅数据表末尾的可订购产品附录。
- (2) 封装尺寸 (长 x 宽) 包括引脚 (如适用)。



简化版原理图



## Table of Contents

|  |           |  |           |
|--|-----------|--|-----------|
| <b>1 特性</b> .....                                | <b>1</b>  | <b>8.2 Functional Block Diagrams</b> .....                       | <b>18</b> |
| <b>2 应用</b> .....                                | <b>1</b>  | <b>8.3 Feature Description</b> .....                             | <b>20</b> |
| <b>3 说明</b> .....                                | <b>1</b>  | <b>8.4 Device Functional Modes</b> .....                         | <b>26</b> |
| <b>4 Device Comparison Table</b> .....           | <b>3</b>  | <b>9 Application and Implementation</b> .....                    | <b>32</b> |
| <b>5 Pin Configuration and Functions</b> .....   | <b>3</b>  | 9.1 Application Information.....                                 | 32        |
| <b>6 Specifications</b> .....                    | <b>5</b>  | 9.2 Typical Applications.....                                    | 32        |
| 6.1 Absolute Maximum Ratings.....                | 5         | 9.3 Power Supply Recommendations.....                            | 36        |
| 6.2 ESD Ratings.....                             | 5         | 9.4 Layout.....  | 37        |
| 6.3 Recommended Operating Conditions.....        | 6         | <b>10 Device and Documentation Support</b> .....                 | <b>41</b> |
| 6.4 Thermal Information.....                     | 6         | 10.1 Documentation Support.....                                  | 41        |
| 6.5 Electrical Characteristics.....              | 7         | 10.2 Receiving Notification of Documentation Updates..           | 41        |
| 6.6 Audio Characteristics (BTL).....             | 10        | 10.3 Community Resources.....                                    | 41        |
| 6.7 Audio Characteristics (PBTL).....            | 10        | 10.4 Trademarks.....   | 41        |
| <b>7 Parameter Measurement Information</b> ..... | <b>16</b> | <b>11 Revision History</b> .....                                 | <b>41</b> |
| <b>8 Detailed Description</b> .....              | <b>17</b> | <b>12 Mechanical, Packaging, and Orderable Information</b> ..... | <b>41</b> |
| 8.1 Overview.....                                | 17        |  |           |

## 4 Device Comparison Table

| DEVICE NAME | DESCRIPTION   | SUPPLY VOLTAGE | THERMAL PAD LOCATION | TPA3221 PIN-COMPATIBLE |
|-------------|---|----------------|----------------------|------------------------|
| TPA3220     | 35W Stereo, 100W Peak HD, Analog-Input, Class-D Amplifier       | 30V            | Bottom               | Y                      |
| TPA3244     | 40W Stereo, 100W Peak Ultra-HD, Analog-Input, Class-D Amplifier | 30V            | Bottom               |                        |
| TPA3245     | 100W Stereo, 200W Mono Ultra-HD, Analog-Input Class-D Amplifier | 30V            | Top                  |                        |
| TPA3250     | 70W Stereo, 130W Peak Ultra-HD, Analog-Input, Class-D Amplifier | 36V            | Bottom               |                        |
| TPA3251     | 175W Stereo, 350W Mono Ultra-HD, Analog-Input Class-D Amplifier | 36V            | Top                  |                        |
| TPA3255     | 315W Stereo, 600W Mono Ultra-HD, Analog-Input Class-D Amplifier | 53.5V          | Top                  |                        |

## 5 Pin Configuration and Functions

The TPA3221 is available in a thermally enhanced TSSOP package.

The package type contains a heat slug that is located on the top side of the device for convenient thermal coupling to the heat sink.

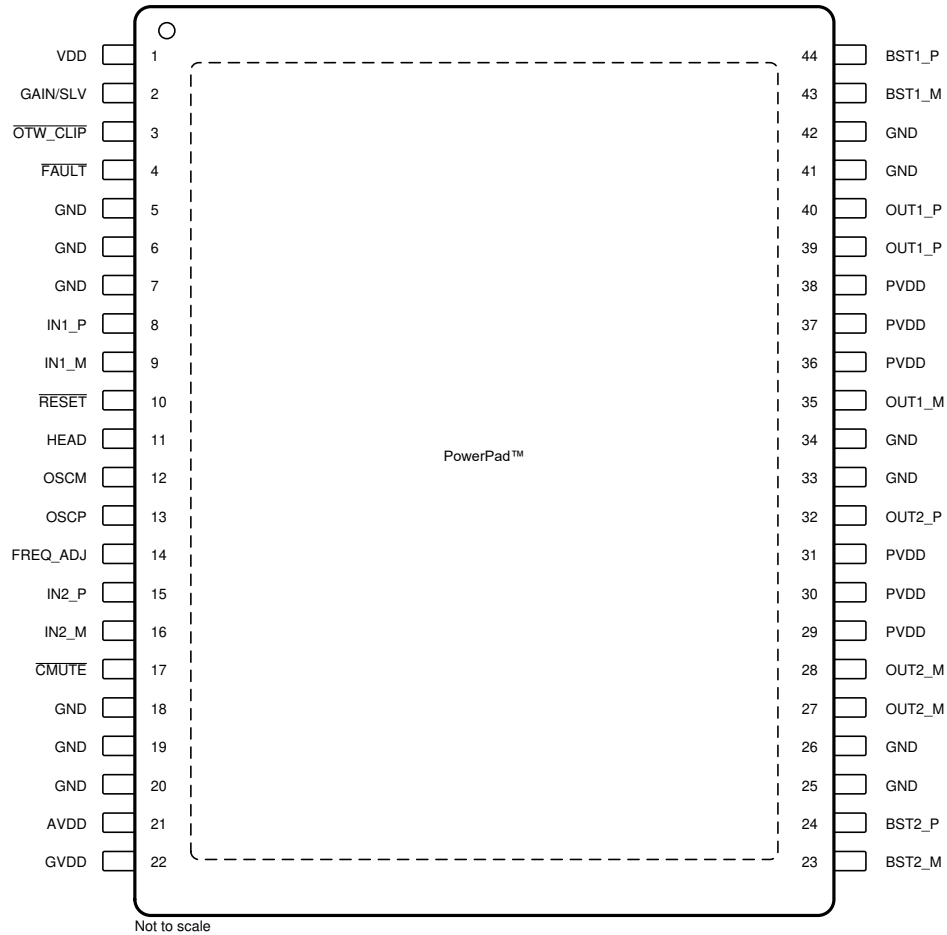


图 5-1. DDV Package HTSSOP 44-Pin (Top View)

表 5-1. Pin Functions

| NAME | NO. | I/O <sup>(1)</sup> | DESCRIPTION                                       |
|------|-----|--------------------|---|
| HEAD | 11  | I                  | 0 = AD, 1 = HEAD. Refer to: 节 8.3.3               |
| AVDD | 21  | P                  | AVDD voltage supply. Refer to: 节 8.3.1, 节 9.3.1.2 |

表 5-1. Pin Functions (续)

| NAME      | NO.   | I/O <sup>(1)</sup> | DESCRIPTION   |
|-----------|---|--------------------|---|
| BST1_M    | 43  | P                  | OUT1_M HS bootstrap supply (BST), 0.033 $\mu$ F capacitor to OUT1_M required. Refer to: 节 9.2.1.2.3 |
| BST1_P    | 44  | P                  | OUT1_P HS bootstrap supply (BST), 0.033 $\mu$ F capacitor to OUT1_P required. Refer to: 节 9.2.1.2.3 |
| BST2_M    | 23  | P                  | OUT2_M HS bootstrap supply (BST), 0.033 $\mu$ F capacitor to OUT2_M required. Refer to: 节 9.2.1.2.3 |
| BST2_P    | 24  | P                  | OUT2_P HS bootstrap supply (BST), 0.033 $\mu$ F capacitor to OUT2_P required. Refer to: 节 9.2.1.2.3 |
| CMUTE     | 17  | P                  | Mute and Startup Timing Capacitor. Connect a 33nF capacitor to GND. Refer to: 节 8.4.3               |
| FAULT     | 4   | O                  | Shutdown signal, open drain; active low. Refer to: 节 8.3.6  |
| FREQ_ADJ  | 14  | O                  | Oscillator frequency programming pin. Refer to: 节 8.3.4   |
| GAIN/SLV  | 2   | I                  | Closed loop gain and controller/peripheral programming pin. Refer to: 节 8.3.1.1                     |
| GND       | 5, 6, 7, 18, 19, 20, 25, 26, 33, 34, 41, 42 | P                  | Ground  |
| GVDD      | 22  | P                  | Gate drive supply. Refer to: 节 8.3.1, 节 9.3.1.2   |
| IN1_M     | 9   | I                  | Negative audio input for channel 1  |
| IN1_P     | 8   | I                  | Positive audio input for channel 1  |
| IN2_M     | 16  | I                  | Negative audio input for channel 2  |
| IN2_P     | 15  | I                  | Positive audio input for channel 2  |
| OSCM      | 12  | I/O                | Oscillator synchronization interface. Refer to: 节 8.3.1.1   |
| OSCP      | 13  | I/O                | Oscillator synchronization interface. Refer to: 节 8.3.1.1   |
| OTW_CLIP  | 3   | O                  | Clipping warning and Over-temperature warning; open drain; active low. Refer to: 节 8.3.6            |
| OUT1_M    | 35  | O                  | Negative output for channel 1   |
| OUT1_P    | 39, 40                                      | O                  | Positive output for channel 1   |
| OUT2_M    | 27, 28                                      | O                  | Negative output for channel 2   |
| OUT2_P    | 32  | O                  | Positive output for channel 2   |
| PVDD      | 29, 30, 31, 36, 37, 38                      | P                  | PVDD supply. Refer to: 节 9.2.1.2.2, 节 9.3.1.3   |
| RESET     | 10  | I                  | Device reset input; active low. Refer to: 节 8.4.5.7, 节 8.4.1, 节 8.4.2                               |
| VDD       | 1   | P                  | Input power supply. Refer to: 节 8.3.1, 节 9.3.1.1  |
| PowerPad™ |   | P                  | Ground, connect to grounded heatsink. Placed on top side of device.                                 |

(1) I=Input, O=Output, I/O= Input/Output, P=Power

表 5-2. Mode Selection Pins

| MODE PINS <sup>(2)</sup> |       |      | INPUT MODE <sup>(1)</sup> | OUTPUT CONFIGURATION | DESCRIPTION   |
|--------------------------|-------|------|---------------------------|----------------------|---|
| IN2_M                    | IN2_P | HEAD |                           |                      |   |
| X                        | X     | 0    | 1N/2N + 1                 | 2 × BTL              | Stereo, BTL output configuration, AD mode modulation  |
| X                        | X     | 1    | 1N/2N + 1                 | 2 × BTL              | Stereo, BTL output configuration, HEAD mode modulation  |
| 0                        | 0     | 0    | 1N/2N + 1                 | 1 × PBTL             | Mono, Paralleled BTL configuration. Connect OUT1_P to OUT2_P and OUT1_M to OUT2_M, AD mode modulation   |
| 0                        | 0     | 1    | 1N/2N + 1                 | 1 × PBTL             | Mono, Paralleled BTL configuration. Connect OUT1_P to OUT2_P and OUT1_M to OUT2_M, HEAD mode modulation |
| 1                        | 1     | 0    | 1N/2N + 1                 | 1 × BTL              | Mono, BTL configuration. OUT1_M and OUT1_P active, AD mode modulation                                   |
| 1                        | 1     | 1    | 1N/2N + 1                 | 1 × BTL              | Mono, BTL configuration. OUT1_M and OUT1_P active, HEAD mode modulation                                 |

(1) 2N refers to differential input signal, 1N refers to single ended input signal. +1 refers to number of logic control ( RESET) input pins.

(2) X refers to inputs connected through AC coupling capacitor, 0 refers to logic low (GND), 1 refers to logic high (AVDD).

## 6 Specifications

### 6.1 Absolute Maximum Ratings

Over operating free-air temperature range (unless otherwise noted) <sup>(1)</sup>

|                  |   | MIN   | MAX  | UNIT |
|------------------|---|-------|------|------|
| Supply voltage   | PVDD to GND <sup>(2)</sup>                                | - 0.3 | 37   | V    |
|                  | BST_X to GVDD <sup>(2)</sup>                              | - 0.3 | 37   | V    |
|                  | BST1_M, BST1_P, BST2_M, BST2_P to GND <sup>(2)</sup>      | - 0.3 | 47.8 | V    |
|                  | VDD to GND  | - 0.3 | 43   | V    |
|                  | GVDD to GND <sup>(2)</sup>                                | - 0.3 | 5.5  | V    |
|                  | AVDD to GND   | - 0.3 | 5.5  | V    |
| Interface pins   | OUT1_M, OUT1_P, OUT2_M, OUT2_P to GND <sup>(2)</sup>      | - 0.3 | 43   | V    |
|                  | IN1_M, IN1_P, IN2_M, IN2_P to GND                         | - 0.3 | 5.5  | V    |
|                  | HEAD, FREQ_ADJ, GAIN/SLV, CMUTE, RESET, OSCP, OSCM to GND | - 0.3 | 5.5  | V    |
|                  | FAULT, OTW_CLIP to GND                                    | - 0.3 | 5.5  | V    |
|                  | Continuous sink current, FAULT, OTW_CLIP to GND           |       | 9    | mA   |
| T <sub>J</sub>   | Operating junction temperature range                      | - 40  | 150  | °C   |
| T <sub>stg</sub> | Storage temperature range                                 | - 40  | 150  | °C   |

- (1) Operation outside the *Absolute Maximum Ratings* may cause permanent device damage. *Absolute Maximum Ratings* do not imply functional operation of the device at these or any other conditions beyond those listed under *Recommended Operating Conditions*. If used outside the *Recommended Operating Conditions* but within the *Absolute Maximum Ratings*, the device may not be fully functional, and this may affect device reliability, functionality, performance, and shorten the device lifetime.
- (2) These voltages represents the DC voltage + peak AC waveform measured at the terminal of the device in all conditions.

### 6.2 ESD Ratings

|                  |                         | VALUE  | UNIT  |   |
|------------------|-------------------------|--|-------|---|
| V <sub>ESD</sub> | Electrostatic discharge | Human body model (HBM), per ANSI/ESDA/JEDEC JS-001, all pins <sup>(1)</sup>              | ±1000 | V |
|                  |                         | Charged device model (CDM), per JEDEC specification JESD22-C101, all pins <sup>(2)</sup> | ±250  | V |

- (1) JEDEC document JEP155 states that 500-V HBM allows safe manufacturing with a standard ESD control process.
- (2) JEDEC document JEP157 states that 250-V CDM allows safe manufacturing with a standard ESD control process.

### 6.3 Recommended Operating Conditions

over operating free-air temperature range (unless otherwise noted)

|                         |  |   | MIN  | TYP | MAX  | UNIT |
|-------------------------|--|---|------|-----|------|------|
| PVDD                    | Power-stage supply   | DC supply voltage   | 7    | 30  | 32   | V    |
| VDD <sup>(1)</sup>      | Supply voltage for internal LDO regulator to supply GVDD and AVDD              | DC supply voltage   | 7    |     | 32   | V    |
|                         | External supply for VDD, GVDD and AVDD. Internal LDO bypassed                  | DC supply voltage   | 4.5  | 5   | 5.5  | V    |
| AVDD                    | Supply voltage for analog circuits   | DC supply voltage   | 4.5  | 5   | 5.5  | V    |
| GVDD                    | Supply voltage for gate-drive circuitry  | DC supply voltage   | 4.5  | 5   | 5.5  | V    |
| L <sub>OUT</sub> (BTL)  | Output filter inductance   | Minimum output inductance at I <sub>OC</sub>                      | 5    | 10  |      | μH   |
| L <sub>OUT</sub> (PBTL) | Output filter inductance, PBTL before the LC filter                            | Minimum output inductance at I <sub>OC</sub>                      | 5    | 10  |      |      |
|                         | Output filter inductance, PBTL after the LC filter                             | Minimum output inductance at half I <sub>OC</sub> , each inductor | 5    | 10  |      |      |
| F <sub>PWM</sub>        | PWM frame rate selectable for AM interference avoidance; 1% Resistor tolerance | Nominal   | 575  | 600 | 625  | kHz  |
|                         |  | AM1   | 510  | 533 | 555  |      |
|                         |  | AM2   | 460  | 480 | 500  |      |
| R <sub>(FREQ_ADJ)</sub> | PWM frame rate programming resistor  | Nominal; Controller mode  | 49.5 | 50  | 50.5 | kΩ   |
|                         |  | AM1; Controller mode  | 29.7 | 30  | 30.3 |      |
|                         |  | AM2; Controller mode  | 9.9  | 10  | 10.1 |      |
| C <sub>PVDD</sub>       | PVDD close decoupling capacitors   |   | 1.0  |     | μF   |      |
| V <sub>(FREQ_ADJ)</sub> | Voltage on FREQ_ADJ pin for peripheral mode operation                          | Peripheral Mode (Connect to AVDD)                                 |      | 5   |      | V    |

- (1) VDD must be connected to a supply of 5V in LDO bypass mode; OR 7V to 30V with LDO active. VDD can be connected directly to PVDD in LDO bypass mode, but must not exceed PVDD voltage.

### 6.4 Thermal Information

| THERMAL METRIC <sup>(1)</sup> |  | TPA3221                    |  | UNIT |
|-------------------------------|--|----------------------------|--|------|
|                               |  | DDV 44-PINS HTSSOP         |  |      |
|                               |  | JEDEC STANDARD 4 LAYER PCB | FIXED 85°C HEATSINK TEMPERATURE <sup>(2)</sup> |      |
| R <sub>θJA</sub>              | Junction-to-ambient thermal resistance       | 44.8                       | 5.5  | °C/W |
| R <sub>θJC(top)</sub>         | Junction-to-case (top) thermal resistance    | 1.1                        | 2.0  | °C/W |
| R <sub>θJB</sub>              | Junction-to-board thermal resistance         | 14.9                       | n/a  | °C/W |
| ψ <sub>JT</sub>               | Junction-to-top characterization parameter   | 0.6                        | n/a  | °C/W |
| ψ <sub>JB</sub>               | Junction-to-board characterization parameter | 14.7                       | n/a  | °C/W |
| R <sub>θJC(bot)</sub>         | Junction-to-case (bottom) thermal resistance | n/a                        | n/a  | °C/W |

- (1) For more information about traditional and new thermal metrics, see the [Semiconductor and IC Package Thermal Metrics](#) application report.
- (2) Thermal data are obtained with 85°C heat sink temperature using thermal compound with 0.7W/mK thermal conductivity and 2mil thickness. In this model heat sink temperature is considered to be the ambient temperature and only path for dissipation is to the heatsink.

## 6.5 Electrical Characteristics

PVDD\_X = 30V, VDD = 5V, GVDD = 5V, T<sub>C</sub> (Case temperature) = 75 °C, f<sub>S</sub> = 600kHz, unless otherwise specified.

| PARAMETER   |  | TEST CONDITIONS   | MIN  | TYP   | MAX  | UNIT |
|---|--|---|------|-------|------|------|
| <b>INTERNAL VOLTAGE REGULATOR AND CURRENT CONSUMPTION</b> |  |   |      |       |      |      |
| AVDD  | Voltage regulator. Only used as reference node when supplied by internal LDO. Voltage regulator bypassed for VDD = 5V. | VDD = 30V   |      | 5     |      | V    |
| I <sub>VDD</sub>  | VDD supply current. LDO mode (VDD > 7V)  | Operating, no audio signal  |      | 25    |      | mA   |
|   |  | Reset mode  |      | 118   |      |      |
|   | VDD supply current. LDO bypass mode (VDD = 5V)   | Operating, no audio signal  |      | 150   |      | μA   |
|   |  | Reset mode  |      | 50    |      |      |
| I <sub>AVDD</sub>   | Gate-supply current. LDO bypass mode (VDD = 5V)  | Operating, no audio signal  |      | 10    |      | mA   |
|   |  | Reset mode  |      | 1     |      |      |
| I <sub>GVDD</sub>   | Gate-supply current. LDO bypass mode (VDD = 5V), AD-mode modulation  | 50% duty cycle  |      | 16    |      | μA   |
|   |  | Reset mode  |      | 50    |      |      |
|   | Gate-supply current. LDO bypass mode (VDD = 5V), HEAD-mode modulation  | HEAD-mode modulation  |      | 16    |      | mA   |
|   |  | Reset mode  |      | 50    |      |      |
| I <sub>PVDD</sub>   | Total PVDD idle current, AD-mode modulation, BTL   | 50% duty cycle with recommended output filter                         |      | 15    |      | mA   |
|   |  | 50% duty cycle with recommended output filter, T <sub>C</sub> = 25 °C |      | 13    |      |      |
|   |  | Reset mode, No switching  |      | 1     |      |      |
|   | Total PVDD idle current, HEAD-mode modulation, BTL   | HEAD-mode modulation with recommended output filter                   |      | 10    |      |      |
|   |  | HEAD-mode with recommended output filter, T <sub>C</sub> = 25 °C      |      | 9     |      |      |
|   |  | Reset mode, No switching  |      | 1     |      |      |
| <b>ANALOG INPUTS</b>                                      |  |   |      |       |      |      |
| V <sub>IN</sub>   | Maximum input voltage swing  |   |      |       | ±2.8 | V    |
| I <sub>IN</sub>   | Maximum input current  |   | -1   |       | 1    | mA   |
| G   | Inverting voltage Gain, V <sub>OUT</sub> /V <sub>IN</sub> (Controller Mode)  | R <sub>1</sub> = 5.6k Ω, R <sub>2</sub> = OPEN                        |      | 18    |      | dB   |
|   |  | R <sub>1</sub> = 20k Ω, R <sub>2</sub> = 100k Ω                       |      | 24    |      |      |
|   |  | R <sub>1</sub> = 39k Ω, R <sub>2</sub> = 100k Ω                       |      | 30    |      |      |
|   |  | R <sub>1</sub> = 47k Ω, R <sub>2</sub> = 75k Ω                        |      | 34    |      |      |
|   | Inverting voltage Gain, V <sub>OUT</sub> /V <sub>IN</sub> (Peripheral Mode)  | R <sub>1</sub> = 51k Ω, R <sub>2</sub> = 51k Ω                        |      | 18    |      |      |
|   |  | R <sub>1</sub> = 75k Ω, R <sub>2</sub> = 47k Ω                        |      | 24    |      |      |
|   |  | R <sub>1</sub> = 100k Ω, R <sub>2</sub> = 39k Ω                       |      | 30    |      |      |
|   |  | R <sub>1</sub> = 100k Ω, R <sub>2</sub> = 16k Ω                       |      | 34    |      |      |
| R <sub>IN</sub>   | Input resistance   | G = 18dB  |      | 48    |      | kΩ   |
|   |  | G = 24dB  |      | 24    |      |      |
|   |  | G = 30dB  |      | 12    |      |      |
|   |  | G = 34dB  |      | 7.7   |      |      |
| <b>OSCILLATOR</b>   |  |   |      |       |      |      |
| f <sub>OSC(IO)</sub> <sup>(1)</sup>                       | Nominal, Controller Mode   | F <sub>PWM</sub> × 6  | 3.45 | 3.6   | 3.75 | MHz  |
|   | AM1, Controller Mode   |   | 3.06 | 3.198 | 3.33 |      |
|   | AM2, Controller Mode   |   | 2.76 | 2.88  | 3    |      |
| V <sub>IH</sub>   | High level input voltage   |   | 1.88 |       |      | V    |
| V <sub>IL</sub>   | Low level input voltage  |   |      |       | 1.65 | V    |
| <b>EXTERNAL OSCILLATOR (Peripheral Mode)</b>              |  |   |      |       |      |      |
| f <sub>OSC(IO)</sub>                                      | CLK input on OSCM/OSCP (Peripheral Mode)   |   | 2.3  |       | 3.78 | MHz  |
| <b>OUTPUT-STAGE MOSFETS</b>                               |  |   |      |       |      |      |

## 6.5 Electrical Characteristics (续)

PVDD\_X = 30V, VDD = 5V, GVDD = 5V, T<sub>C</sub> (Case temperature) = 75 °C, f<sub>S</sub> = 600kHz, unless otherwise specified.

| PARAMETER           |  | TEST CONDITIONS   | MIN | TYP | MAX | UNIT |
|---------------------|--|---|-----|-----|-----|------|
| R <sub>DS(on)</sub> | Drain-to-source resistance, low side (LS)  | T <sub>J</sub> = 25 °C, Excludes metallization resistance,<br>GVDD = 5V |     | 70  |     | mΩ   |
|                     | Drain-to-source resistance, high side (HS) |   |     | 70  |     | mΩ   |



## 6.5 Electrical Characteristics (续)

PVDD\_X = 30V, VDD = 5V, GVDD = 5V, T<sub>C</sub> (Case temperature) = 75 °C, f<sub>S</sub> = 600kHz, unless otherwise specified.

| PARAMETER  |  | TEST CONDITIONS  | MIN  | TYP | MAX | UNIT    |
|--|--|--|------|-----|-----|---------|
| <b>I/O PROTECTION</b>                            |  |  |      |     |     |         |
| V <sub>uvp,AVDD</sub>                            | Undervoltage protection limit, AVDD  |  | 4    |     |     | V       |
| V <sub>uvp,AVDD,hyst</sub> <sup>(2)</sup>        | Undervoltage protection hysteresis, AVDD   |  | 0.1  |     |     | V       |
| V <sub>uvp,PVDD</sub>                            | Undervoltage protection limit, PVDD_x  |  | 6.4  |     |     | V       |
| V <sub>uvp,PVDD,hyst</sub> <sup>(2)</sup>        | Undervoltage protection hysteresis, PVDD_x   |  | 0.45 |     |     | V       |
| OTW  | Overtemperature warning, OTW_CLIP <sup>(2)</sup>   |  | 115  | 125 | 135 | °C      |
| OTW <sub>hyst</sub> <sup>(2)</sup>               | Temperature drop needed below OTW temperature for OTW_CLIP to be inactive after OTW event. |  | 20   |     |     | °C      |
| OTE <sup>(2)</sup>                               | Overtemperature error  |  | 145  | 155 | 165 | °C      |
| OTE <sub>hyst</sub> <sup>(2)</sup>               | A reset needs to occur for FAULT to be released following an OTE event                     |  | 20   |     |     | °C      |
| OTE-OTW <sub>(differential)</sub> <sup>(2)</sup> | OTE-OTW differential   |  | 25   |     |     | °C      |
| OLPC   | Overload protection counter  | f <sub>PWM</sub> = 600kHz (1024 PWM cycles)                                      | 1.7  |     |     | ms      |
| I <sub>OC, BTL</sub>                             | Overcurrent limit protection, speaker output current                                       | Nominal peak current in 1Ω load  | 10   |     |     | A       |
| I <sub>OC, PBTL</sub>                            |  |  | 20   |     |     | A       |
| I <sub>DCspkr, BTL</sub>                         | DC Speaker Protection Current Threshold  | BTL current imbalance threshold  | 1.8  |     |     | A       |
| I <sub>DCspkr, PBTL</sub>                        |  | PBTL current imbalance threshold   | 3.6  |     |     | A       |
| I <sub>OCT</sub>                                 | Overcurrent response time  | Time from switching transition to flip-state induced by overcurrent.             | 150  |     |     | ns      |
| I <sub>PD</sub>                                  | Output pulldown current of each half   | Connected when RESET is active to provide bootstrap charge. Not used in SE mode. | 3    |     |     | mA      |
| <b>STATIC DIGITAL SPECIFICATIONS</b>             |  |  |      |     |     |         |
| V <sub>IH</sub>                                  | High level input voltage   | HEAD, OSCM, OSCP, CMUTE, RESET   | 1.9  |     |     | V       |
| V <sub>IL</sub>                                  | Low level input voltage  |  | 0.8  |     |     | V       |
| I <sub>Ikg</sub>                                 | Input leakage current  |  | 100  |     |     | μA      |
| <b>OTW/SHUTDOWN (FAULT)</b>                      |  |  |      |     |     |         |
| R <sub>INT_PU</sub>                              | Internal pullup resistance, OTW_CLIP to AVDD, FAULT to AVDD                                |  | 20   | 26  | 32  | kΩ      |
| V <sub>OH</sub>                                  | High level output voltage  | Internal pullup resistor   | 3    | 3.3 | 3.6 | V       |
| V <sub>OL</sub>                                  | Low level output voltage   | I <sub>O</sub> = 4mA   | 200  | 500 |     | mV      |
| Device fanout                                    | OTW_CLIP, FAULT  | No external pullup   | 30   |     |     | devices |

- (1) Nominal, AM1 and AM2 use same internal oscillator with fixed ratio 4 : 4.5 : 5  
(2) Specified by design.

## 6.6 Audio Characteristics (BTL)

PCB and system configuration are in accordance with recommended guidelines. Audio frequency = 1 kHz, PVDD\_X = 30 V, VDD = 5 V, GVDD = 5 V,  $R_L = 4 \Omega$ ,  $f_S = 600 \text{ kHz}$ ,  $T_C = 75^\circ\text{C}$ , Output Filter:  $L_{\text{DEM}} = 10 \mu\text{H}$ ,  $C_{\text{DEM}} = 1 \mu\text{F}$ , AD-Modulation, AES17 + AUX-0025 measurement filters, unless otherwise noted.

| PARAMETER         |   | TEST CONDITIONS  | MIN | TYP  | MAX | UNIT |
|-------------------|---|--|-----|------|-----|------|
| P <sub>O</sub>    | Power output per channel                                    | R <sub>L</sub> = 3Ω, 10% THD+N   |     | 112  |     | W    |
|                   |   | R <sub>L</sub> = 4Ω, 10% THD+N   |     | 105  |     |      |
|                   |   | R <sub>L</sub> = 3Ω, 1% THD+N  |     | 100  |     |      |
|                   |   | R <sub>L</sub> = 4Ω, 1% THD+N  |     | 88   |     |      |
| THD+N             | Total harmonic distortion + noise                           | 1W   |     | 0.02 |     | %    |
| V <sub>n</sub>    | Output integrated noise                                     | A-weighted, AES17 filter, Input Capacitor Grounded, Gain = 18dB                                  |     | 75   |     | μV   |
| V <sub>OS</sub>   | Output offset voltage                                       | Inputs AC coupled to GND   |     | 20   | 60  | mV   |
| SNR               | Signal-to-noise ratio <sup>(1)</sup>                        | A-weighted, Gain = 18dB  |     | 108  |     | dB   |
| DNR               | Dynamic range   | A-weighted, Gain = 18dB  |     | 109  |     | dB   |
| P <sub>idle</sub> | Power dissipation due to idle losses (I <sub>PVDD_X</sub> ) | P <sub>O</sub> = 0, all outputs switching, AD-modulation, T <sub>C</sub> = 25°C <sup>(2)</sup>   |     | 0.37 |     | W    |
|                   |   | P <sub>O</sub> = 0, all outputs switching, HEAD-modulation, T <sub>C</sub> = 25°C <sup>(2)</sup> |     | 0.25 |     | W    |

(1) SNR is calculated relative to 1% THD+N output level.

(2) Actual system idle losses also are affected by core losses of output inductors.

## 6.7 Audio Characteristics (PBTL)

PCB and system configuration are in accordance with recommended guidelines. Audio frequency = 1 kHz, PVDD\_X = 30 V, VDD = 5 V, GVDD = 5 V,  $R_L = 2 \Omega$ ,  $f_S = 600 \text{ kHz}$ ,  $T_C = 75^\circ\text{C}$ , Output Filter:  $L_{\text{DEM}} = 10 \mu\text{H}$ ,  $C_{\text{DEM}} = 1 \mu\text{F}$ , Pre-Filter PBTL, AD-Modulation, AES17 + AUX-0025 measurement filters, unless otherwise noted.

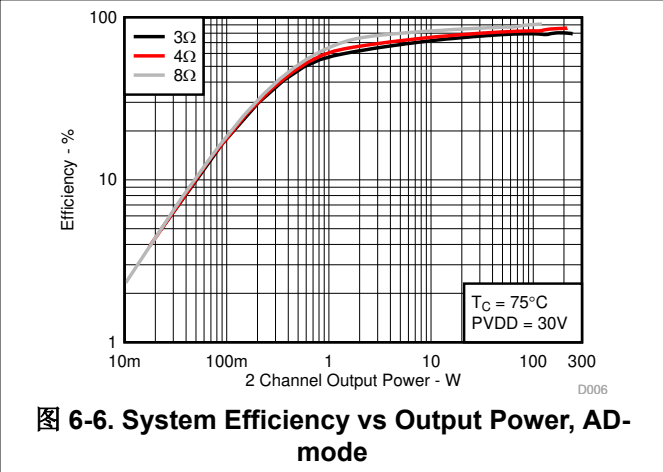
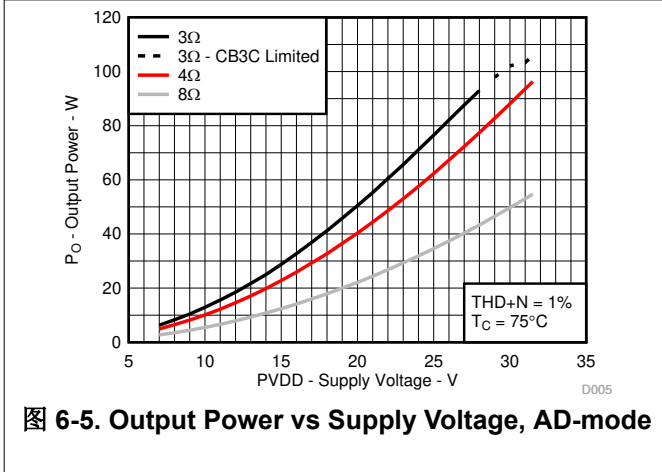
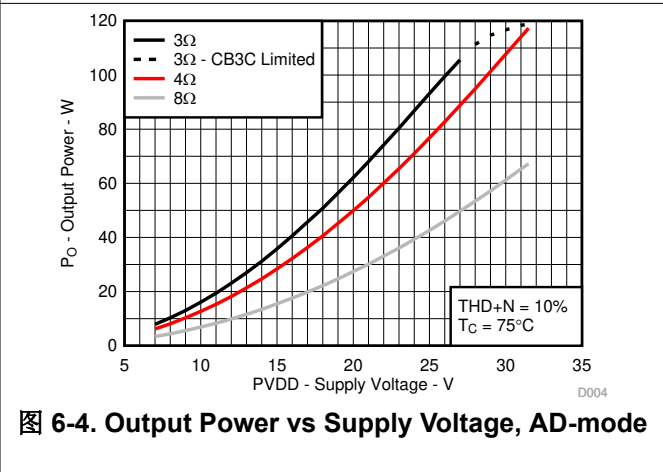
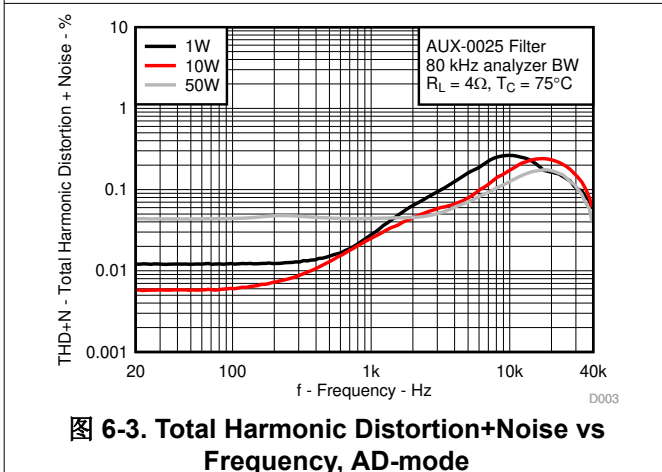
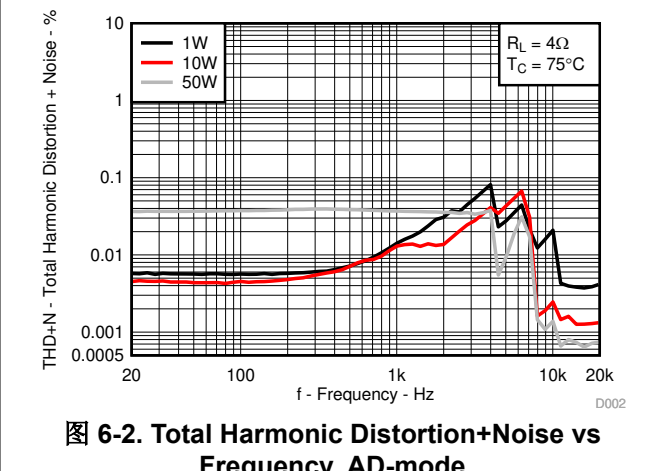
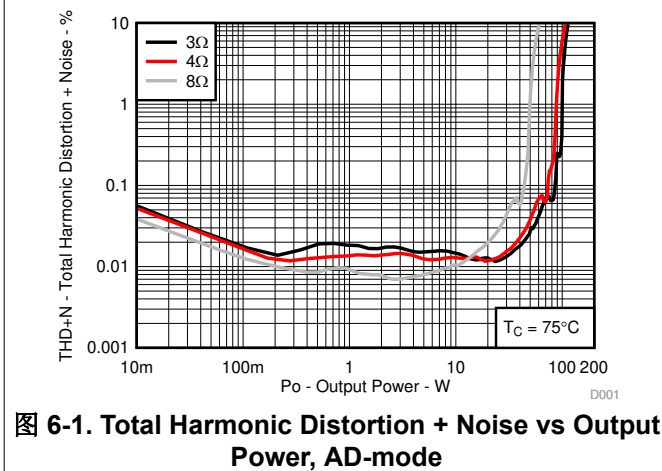
| PARAMETER         |   | TEST CONDITIONS  | MIN | TYP  | MAX | UNIT |
|-------------------|---|--|-----|------|-----|------|
| P <sub>O</sub>    | Power output per channel                                    | R <sub>L</sub> = 2 Ω, 10% THD+N  |     | 208  |     | W    |
|                   |   | R <sub>L</sub> = 3 Ω, 10% THD+N  |     | 155  |     |      |
|                   |   | R <sub>L</sub> = 4 Ω, 10% THD+N  |     | 120  |     |      |
|                   |   | R <sub>L</sub> = 2 Ω, 1% THD+N   |     | 170  |     |      |
|                   |   | R <sub>L</sub> = 3 Ω, 1% THD+N   |     | 125  |     |      |
|                   |   | R <sub>L</sub> = 4 Ω, 1% THD+N   |     | 98   |     |      |
| THD+N             | Total harmonic distortion + noise                           | 1 W  |     | 0.02 |     | %    |
| V <sub>n</sub>    | Output integrated noise                                     | A-weighted, AES17 filter, Input Capacitor Grounded, Gain = 18 dB                                 |     | 75   |     | μV   |
| V <sub>OS</sub>   | Output offset voltage                                       | Inputs AC coupled to GND   |     | 20   | 60  | mV   |
| SNR               | Signal to noise ratio <sup>(1)</sup>                        | A-weighted, Gain = 18 dB   |     | 108  |     | dB   |
| DNR               | Dynamic range   | A-weighted, Gain = 18 dB   |     | 110  |     | dB   |
| P <sub>idle</sub> | Power dissipation due to idle losses (I <sub>PVDD_X</sub> ) | P <sub>O</sub> = 0, all outputs switching, AD-modulation, T <sub>C</sub> = 25°C <sup>(2)</sup>   |     | 0.20 |     | W    |
|                   |   | P <sub>O</sub> = 0, all outputs switching, HEAD-modulation, T <sub>C</sub> = 25°C <sup>(2)</sup> |     | 0.17 |     | W    |

(1) SNR is calculated relative to 1% THD+N output level.

(2) Actual system idle losses are affected by core losses of output inductors.

### Typical Characteristics, BTL Configuration, AD-mode

All Measurements taken at audio frequency = 1 kHz, PVDD\_X = 30 V, VDD = 5 V, GVDD = 5 V, R<sub>L</sub> = 4 Ω, f<sub>S</sub> = 600 kHz, 18 dB, T<sub>C</sub> = 75°C, Output Filter: L<sub>DEM</sub> = 10 μH, C<sub>DEM</sub> = 1 μF, AD-Modulation, AES17 + AUX-0025 measurement filters, unless otherwise noted.



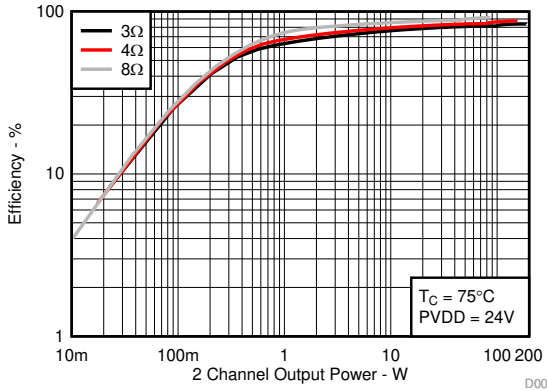


图 6-7. System Efficiency vs Output Power, AD-mode

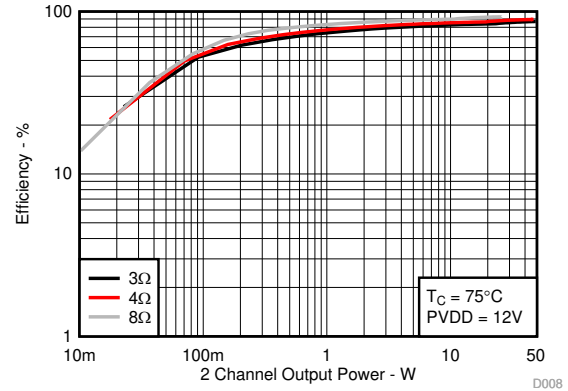


图 6-8. System Efficiency vs Output Power, AD-mode

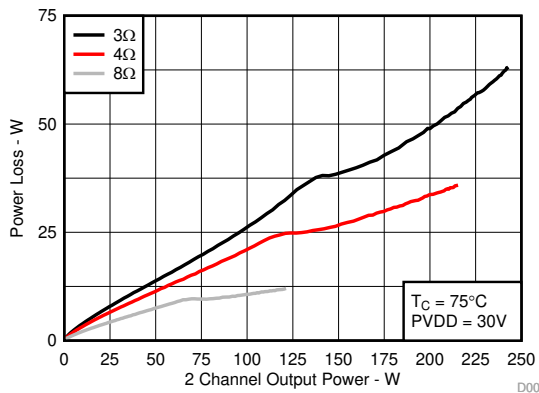


图 6-9. System Power Loss vs Output Power, AD-mode

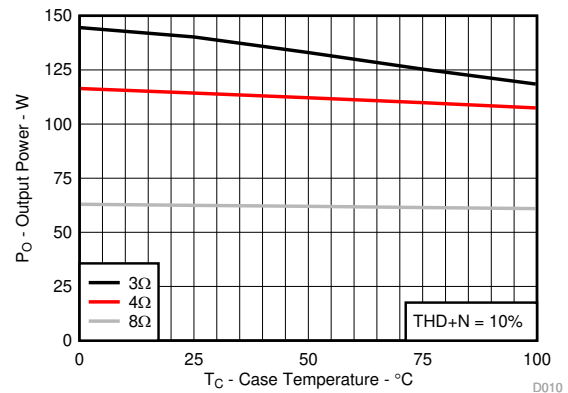


图 6-10. Output Power vs Case Temperature, AD-mode

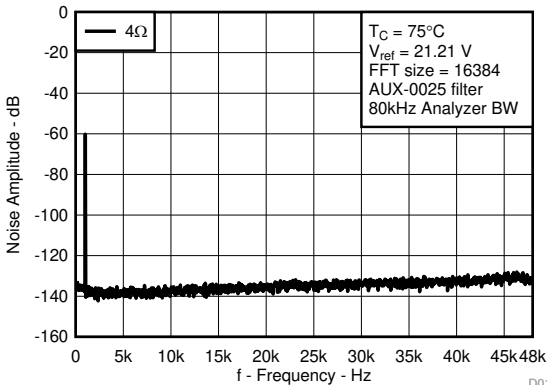


图 6-11. Noise Amplitude vs Frequency, AD-mode

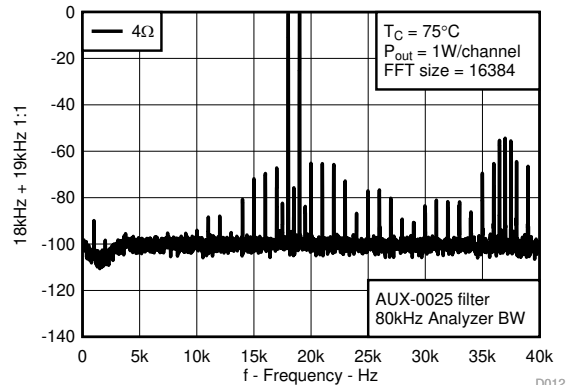


图 6-12. CCIF Intermodulation, AD-mode

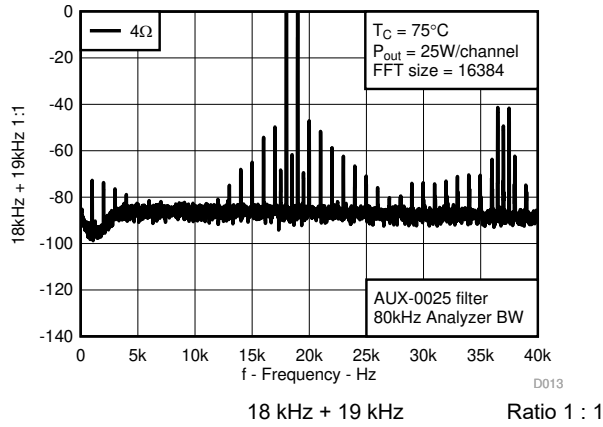


图 6-13. CCIF Intermodulation, AD-mode

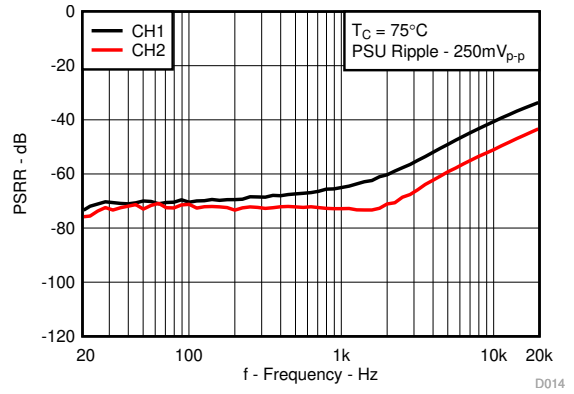


图 6-14. Power Supply Rejection Ratio vs Frequency, AD-mode

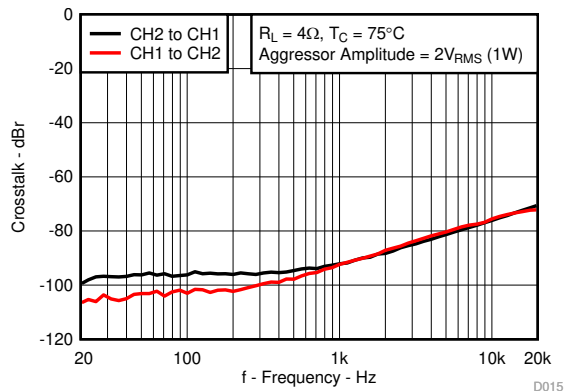


图 6-15. Channel to Channel Crosstalk vs Frequency, AD-mode

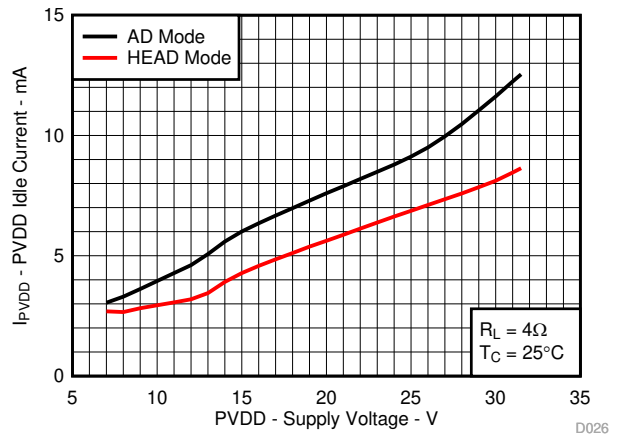


图 6-16. Idle Current vs Supply Voltage

### Typical Characteristics, PBTL Configuration, AD-mode

All Measurements taken at audio frequency = 1 kHz, PVDD\_X = 30 V, VDD = 5 V, GVDD = 5 V, R<sub>L</sub> = 2 Ω, f<sub>S</sub> = 600 kHz, 18 dB, T<sub>C</sub> = 75°C, Output Filter: L<sub>DEM</sub> = 10 μH, C<sub>DEM</sub> = 1 μF, Pre-Filter PBTL, AD Modulation, AES17 + AUX-0025 measurement filters, unless otherwise noted.

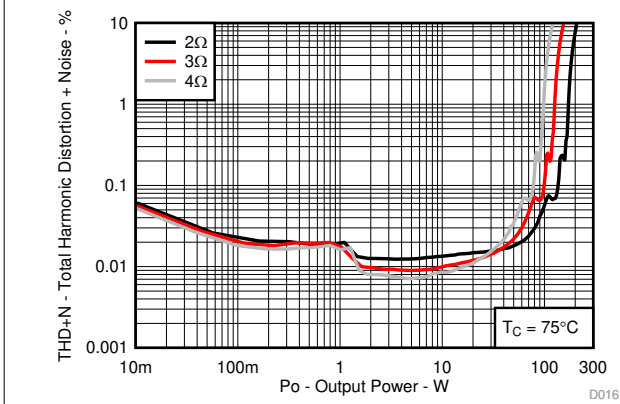


图 6-17. Total Harmonic Distortion+Noise vs Output Power, AD-mode

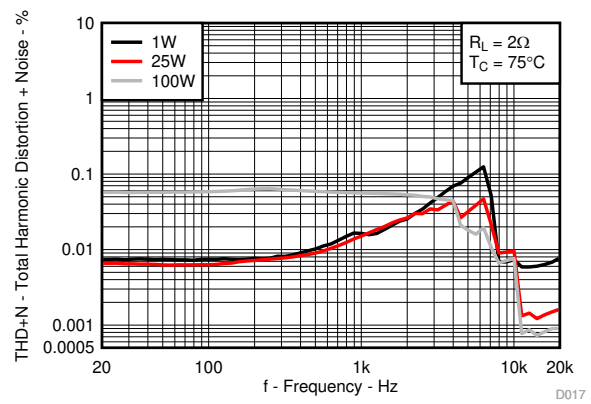


图 6-18. Total Harmonic Distortion + Noise vs Frequency, AD-mode

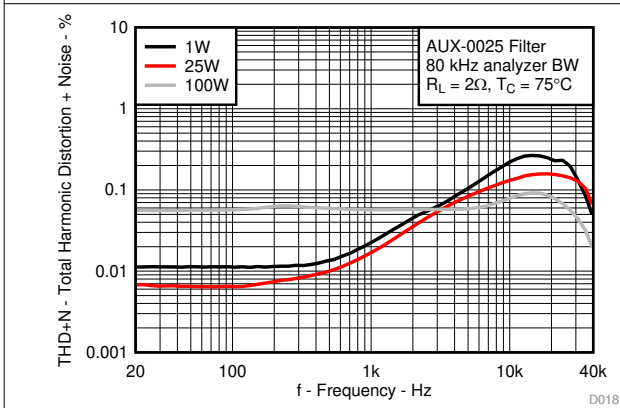


图 6-19. Total Harmonic Distortion+Noise vs Frequency, AD-mode

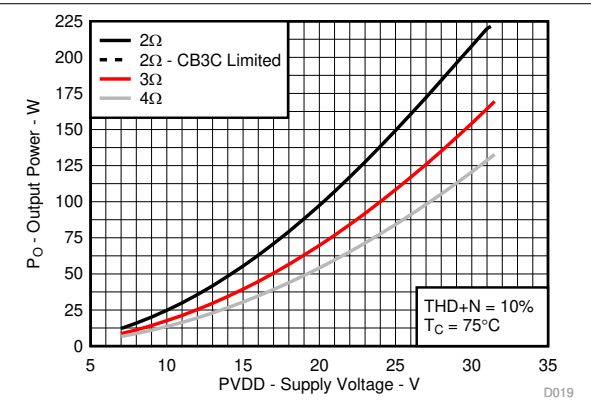


图 6-20. Output Power vs Supply Voltage, AD-mode

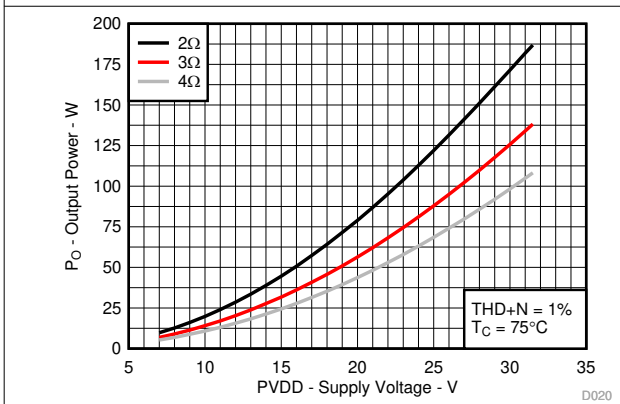


图 6-21. Output Power vs Supply Voltage, AD-mode

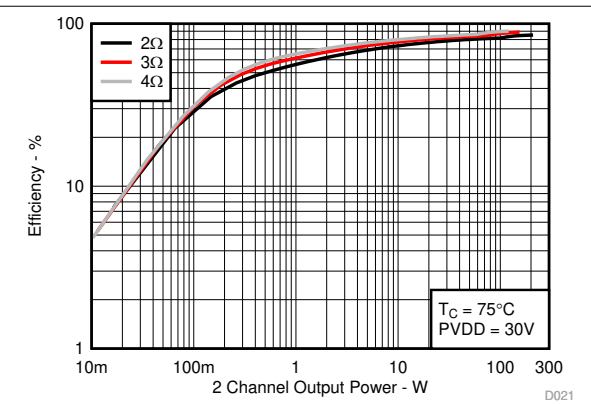


图 6-22. System Efficiency vs Output Power, AD-mode

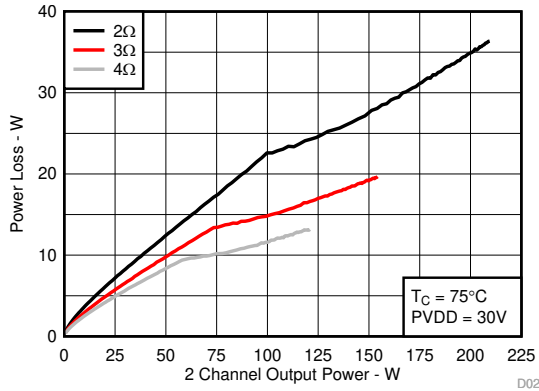


图 6-23. System Power Loss vs Output Power, AD-mode

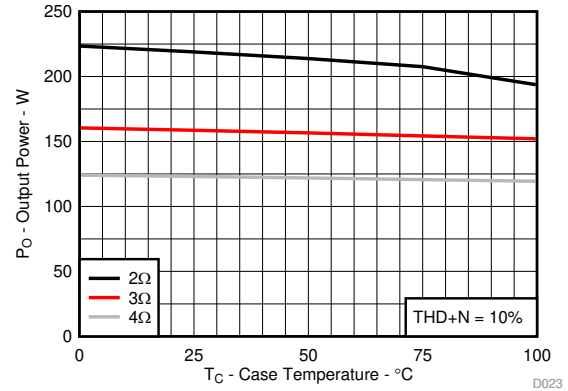


图 6-24. Output Power vs Case Temperature, AD-mode

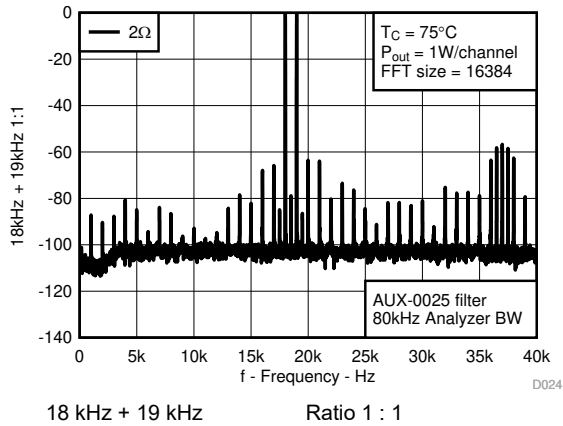


图 6-25. CCIF Intermodulation vs Frequency, AD-mode

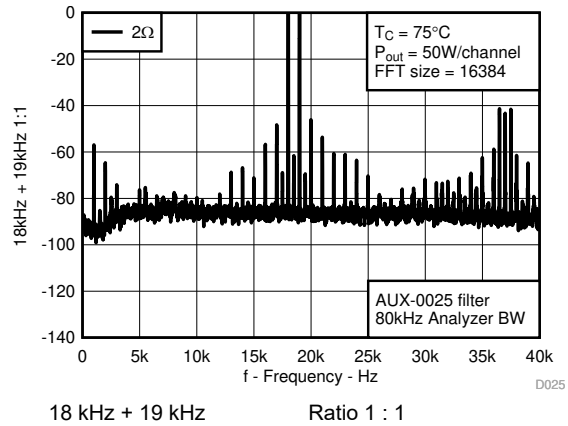


图 6-26. CCIF Intermodulation vs Frequency, AD-mode

## 7 Parameter Measurement Information

All parameters are measured according to the conditions described in the [节 6.3](#).

Most audio analyzers do not give correct readings of Class-D amplifiers' performance due to the amplifiers sensitivity to out of band noise present at the amplifier output. AES-17 + AUX-0025 pre-analyzer filters are recommended to use for Class-D amplifier measurements. In absence of such filters, a 30kHz low-pass filter ( $10\Omega + 47\text{nF}$ ) can be used to reduce the out of band noise remaining on the amplifier outputs.



## 8 Detailed Description

### 8.1 Overview

TPA3221 is designed as a feature-enhanced cost efficient high power Class-D audio amplifier. The device has built-in advanced protection circuitry to provide maximum product robustness as well as a flexible feature set including built in LDO for easy supply of low voltage circuitry, selectable gain, switching frequency, controller/peripheral synchronization of multiple devices, selectable PWM modulation scheme, mute function, temperature and clipping status signals. TPA3221 has a bandwidth up to 100kHz and low output noise designed for high resolution audio applications and accepts both differential and single ended analog audio inputs at levels from  $1V_{RMS}$  to  $2V_{RMS}$ . With the closed loop operation TPA3221 is designed for high audio performance with a system power supply between 7V and 30V.

To facilitate system design, the TPA3221 needs only a (typical) 30V power stage supply. The TPA3221 has an internal voltage regulator supplied from the VDD pin for the analog and digital system blocks and the output stage gate drive respectively. The VDD pin can be connected directly to PVDD in case of only this power supply rail being available.

To reduce device power losses an external 5V supply can be used for the AVDD and VDD supply pins. The internal voltage regulator connected to the VDD pin is automatically turned off if an external 5V supply is used for this pin. Although supplied from the same 5V source, separating AVDD and VDD on the printed-circuit board (PCB) by RC filters (see application diagram for details) is recommended. These RC filters provide the recommended high-frequency isolation. Special attention should be paid to placing all decoupling capacitors as close to their associated pins as possible. In general, the physical loop with the power supply pins, decoupling capacitors and GND return path to the device pins must be kept as short as possible and with as little area as possible to minimize induction (see [§ 9.4.2](#) for additional information).

The floating supplies for the output stage high side gate drives are supplied by built-in bootstrap circuitry requiring only an external capacitor for each half-bridge.

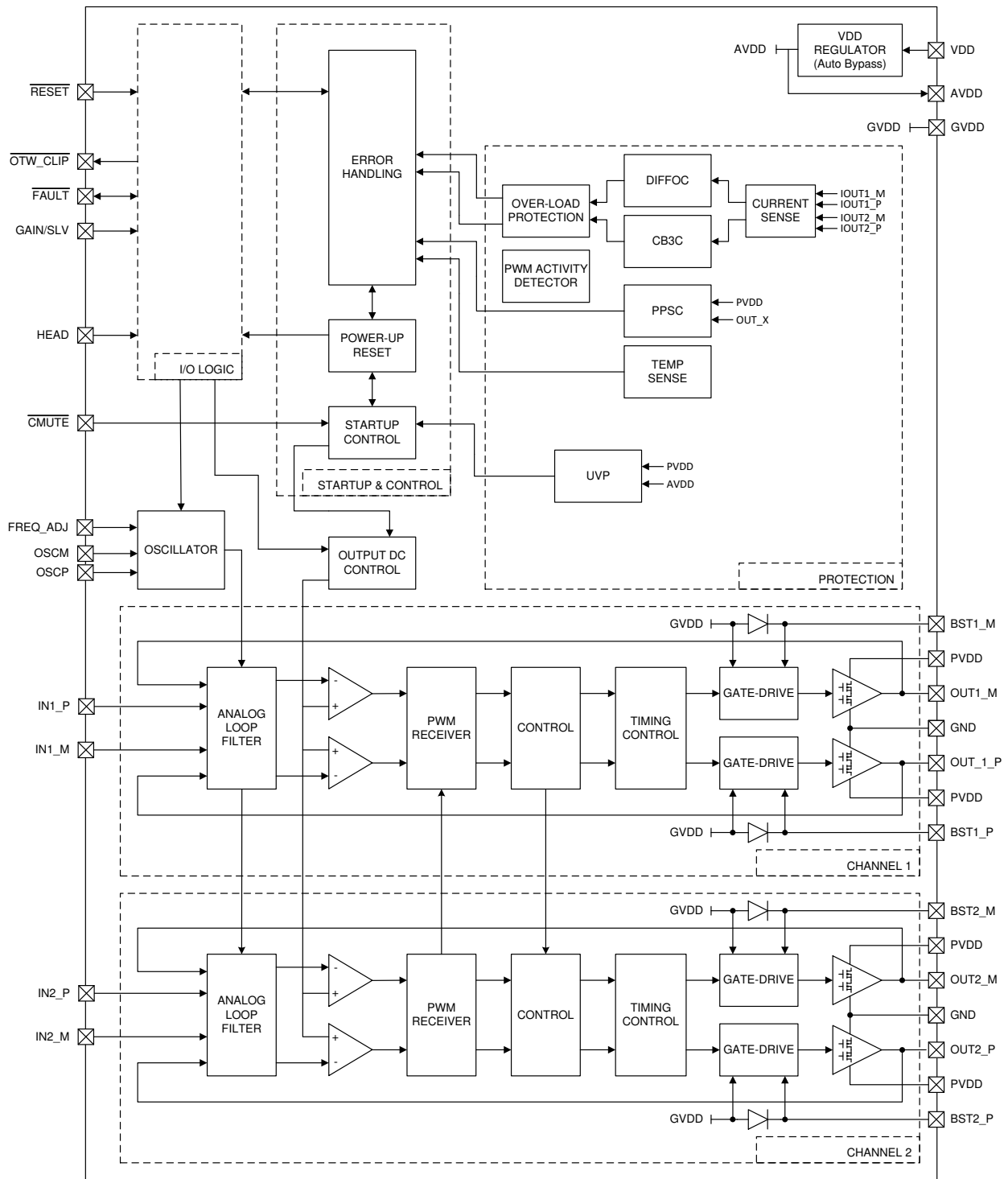
For a properly functioning bootstrap circuit, a small ceramic capacitor must be connected from each bootstrap pin (BST\_X) to the power-stage output pin (OUT\_X). When the power-stage output is low, the bootstrap capacitor is charged through an internal diode connected between the gate-drive power-supply pin (GVDD) and the bootstrap pins. When the power-stage output is high, the bootstrap capacitor potential is shifted above the output potential and thus provides a voltage supply for the high-side gate driver. TI recommends to use 33nF ceramic capacitors, size 0603 or 0805, for the bootstrap supply. These 33nF capacitors maintain sufficient energy storage, even during minimal PWM duty cycles, to keep the high-side power stage FET (LDMOS) fully turned on during the remaining part of the PWM cycle.

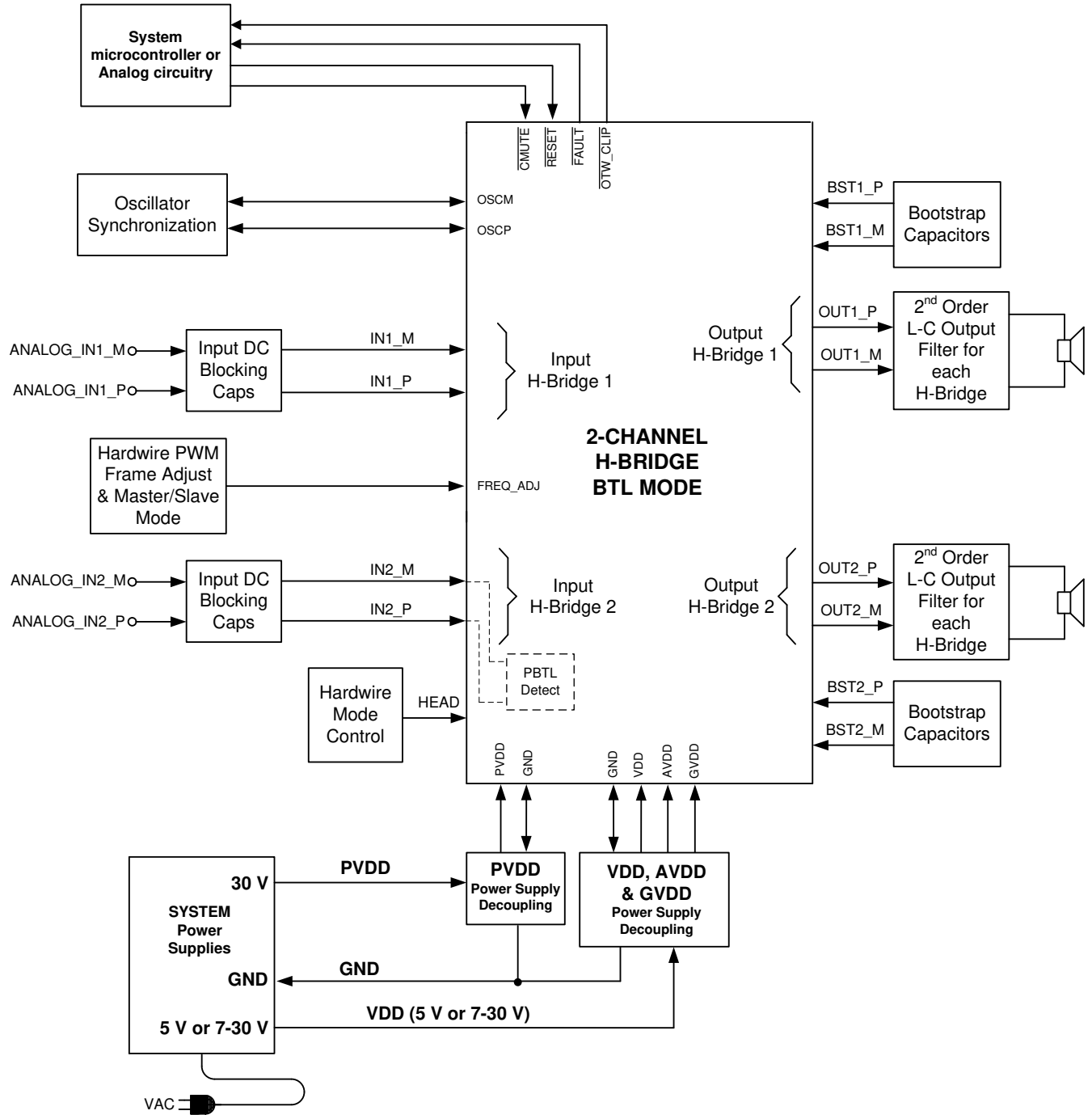
Special attention is paid to the power stage power supply; this includes component selection, PCB placement, and routing.

For peak electrical performance, EMI compliance, and system reliability, maintaining that each PVDD\_X node is decoupled with 1  $\mu$ F ceramic capacitors placed as close as possible to the PVDD supply pins is important. TI recommends to follow the PCB layout of the TPA3221 reference design. For additional information on recommended power supply and required components, see the application diagrams in this data sheet.

If using external power supply for the AVDD and VDD internal regulators, this supply is from a low-noise, low-output-impedance voltage regulator. Likewise, the 30V power stage supply is assumed to have low output impedance throughout the entire audio band, and low noise. The power supply sequence is not critical as facilitated by the internal power-on-reset circuit, but TI recommends to release RESET after the power supply is settled for minimum turn on audible artifacts. Moreover, the TPA3221 is fully protected against erroneous power-stage turn on due to parasitic gate charging. Thus, voltage-supply ramp rates (dV/dt) are noncritical within the specified range (see the [Electrical Characteristics](#) table of this data sheet).

## 8.2 Functional Block Diagrams





\*NOTE1: Logic AND in or outside microcontroller

图 8-1. System Block Diagram

## 8.3 Feature Description

### 8.3.1 Internal LDO

TPA3221 has a built in optional LDO (Low dropout voltage regulator) to supply the analog and digital circuits as well as the gate drive for the output stages. The LDO can be used in systems where only the high voltage power rail is available, hence no additional power supply rails need to be generated for the TPA3221 to operate. As being a linear regulator, the LDO adds to the power losses of the device due to the (PVDD-5V) voltage drop and the supply current for AVDD and GVDD given in the 节 6.5 table.

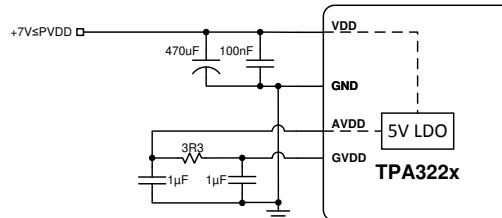


图 8-2. Internal LDO for Single Supply Systems

When using the internal LDO in TPA3221 the VDD terminal is connected to a voltage source between 7V and PVDD. In a single supply system the VDD terminal is connected directly to the PVDD terminal. The LDO output is connected to the AVDD terminal, and can be used to supply the gate drive by supplying the GVDD from AVDD through a RC filter for best noise performance as shown in 图 8-2.

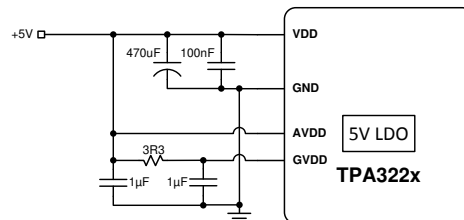


图 8-3. Internal LDO Bypass for Highest Power Efficiency

For highest system power efficiency the LDO can be bypassed by connecting VDD to an external 5V supply. In this configuration AVDD and GVDD is supplied by 5V from the external power supply. GVDD is supplied through a RC filter for best noise performance as shown in 图 8-3.

#### 8.3.1.1 Input Configuration, Gain Setting And Controller/Peripheral Operation

TPA3221 is designed to accept either a differential or a single-ended audio input signal. To accept a wide range of system front ends TPA3221 has selectable input gain that allows full scale output with a wide range of input signal levels.

Best system noise performance is obtained with balanced audio interface. However, to be used in systems with only a single ended audio input signal available, one input terminal can be connected to AC ground, to accept single ended audio input signals.

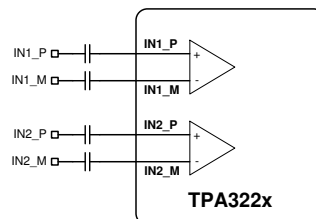


图 8-4. Balanced Audio Input Configuration

In systems with single ended audio inputs the device gain typically needs to be set higher than for systems with balanced audio input signals.

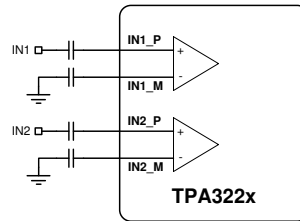


图 8-5. Single Ended Audio Input Configuration

### 8.3.2 Gain Setting And Controller / Peripheral Operation

The gain of TPA3221 is set by the voltage divider connected to the GAIN/SLV control pin. Controller or Peripheral mode is also controlled by the same pin. An internal ADC is used to detect the 8 input states. The first four stages sets the GAIN in Controller mode in gains of 18, 24, 30, 34dB respectively, while the next four stages sets the GAIN in Peripheral mode in gains of 18, 24, 30, 34dB respectively. The gain setting is latched when  $\overline{\text{RESET}}$  goes high and cannot be changed while  $\overline{\text{RESET}}$  is high. 表 8-1 shows the recommended resistor values, the state and gain:

表 8-1. Gain and Controller / Peripheral

| Controller / Peripheral Mode | Gain | R1 (to GND)   | R2 (to AVDD)  | Differential Input Signal Level (each input pin) | Single Ended Input Signal Level |
|------------------------------|------|---------------|---------------|--|---------------------------------|
| Controller                   | 18dB | 5.6k $\Omega$ | OPEN          | 2VRMS  | 2VRMS                           |
| Controller                   | 24dB | 20k $\Omega$  | 100k $\Omega$ | 1VRMS  | 2VRMS                           |
| Controller                   | 30dB | 39k $\Omega$  | 100k $\Omega$ | 0.5VRMS  | 1VRMS                           |
| Controller                   | 34dB | 47k $\Omega$  | 75k $\Omega$  | 0.32VRMS   | 0.63VRMS                        |
| Peripheral                   | 18dB | 51k $\Omega$  | 51k $\Omega$  | 2VRMS  | 2VRMS                           |
| Peripheral                   | 24dB | 75k $\Omega$  | 47k $\Omega$  | 1VRMS  | 2VRMS                           |
| Peripheral                   | 30dB | 100k $\Omega$ | 39k $\Omega$  | 0.5VRMS  | 1VRMS                           |
| Peripheral                   | 34dB | 100k $\Omega$ | 16k $\Omega$  | 0.32VRMS   | 0.63VRMS                        |

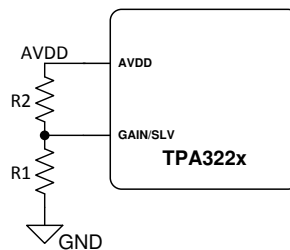


图 8-6. Gain and Controller / Peripheral Setup

For easy multi-channel system design TPA3221 has a Controller / Peripheral feature that allows automatic synchronization of multiple peripheral devices operated at the PWM switching frequency of a controller device. This benefits system noise performance by eliminating spurious crosstalk sum and difference tones due to unsynchronized channel-to-channel switching frequencies. Furthermore the Controller / Peripheral scheme is designed to interleave switching of the individual channels in a multi-channel system such that the power supply current ripple frequency is moved to a higher frequency which reduces the RMS ripple current in the power supply bulk capacitors.

The Controller / Peripheral scheme and the interleaving of the output stage switching is automatically configured by connecting the OSCx pins between a controller and multiple peripheral devices. Connect the OSCx pins in either positive or negative polarity to configure either a Peripheral1 or Peripheral2 device. Connect the OSCM of

the Controller device to the OSCM of a peripheral device to configure for Peripheral1 or OSCP to configure for Peripheral2. Then connect the remaining OSCx pins between the controller and peripheral devices. The Controller, Peripheral1 and Peripheral2 PWM switching is be 30 degrees out of phase with each other. All switching channels are automatically synchronized by releasing RESET on all devices at the same time.

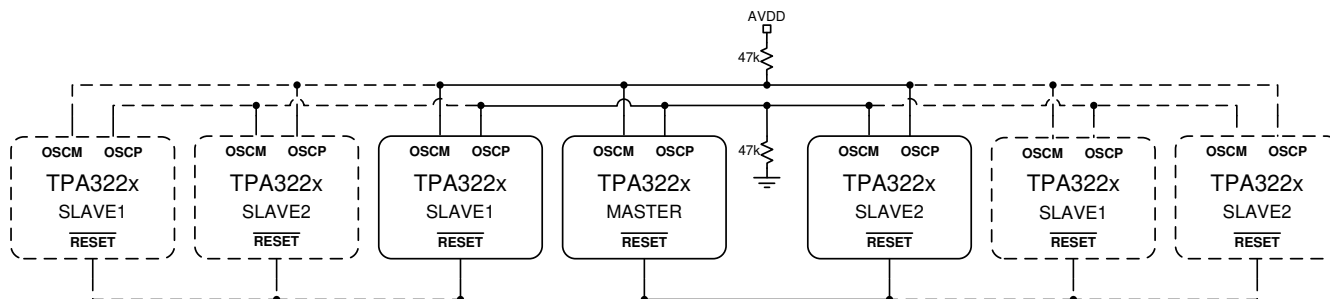


图 8-7. Gain and Controller PCB Implementation

Placement on the PCB and connection of multiple TPA3221 devices in a multi channel system is illustrated in 图 8-7. Peripheral devices should be placed on either side of the controller device, with a Peripheral1 device on one side of the Controller device, and a Peripheral2 device on the other. In systems with more than 3 TPA3221 devices, the controller should be in the middle, and every second peripheral devices should be a Peripheral1 or Peripheral 2 as illustrated in 图 8-7. A 47kΩ pull up resistor to AVDD should be connected to the controller OSCM output and a 47kΩ pull down resistor to GND should be connected to the controller OSCP CLK outputs.

**8.3.3 AD-Mode and HEAD-Mode PWM Modulation**

TPA3221 has the option of using either AD-Mode or HEAD-Mode PWM modulation scheme. AD mode has continuous switching of the two half bridge outputs in each BTL output channel. Both half bridge outputs are switching in HEAD mode, but with reduced duty cycle for idle operation and while playing small signals. With higher output levels one half bridge stops switching on HEAD mode operation. HEAD benefits both device power loss and EMI performance, where AD mode is considered to have the highest audio performance.

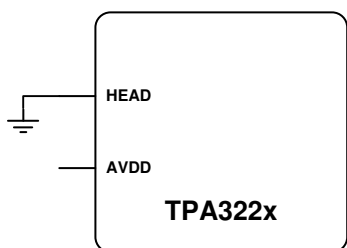


图 8-8. AD-Mode Configuration

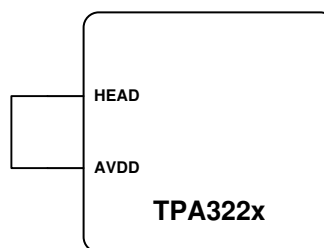


图 8-9. HEAD-Mode Configuration

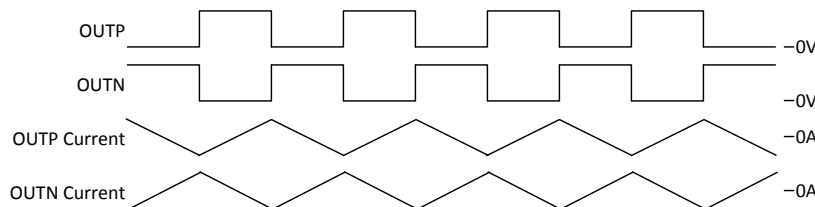


图 8-10. AD Mode Output Waveforms, Idle

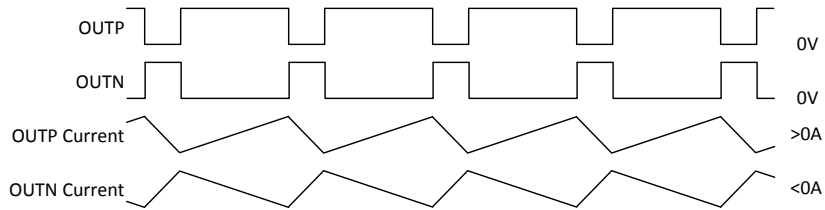


图 8-11. AD Mode Output Waveforms, High Level Output

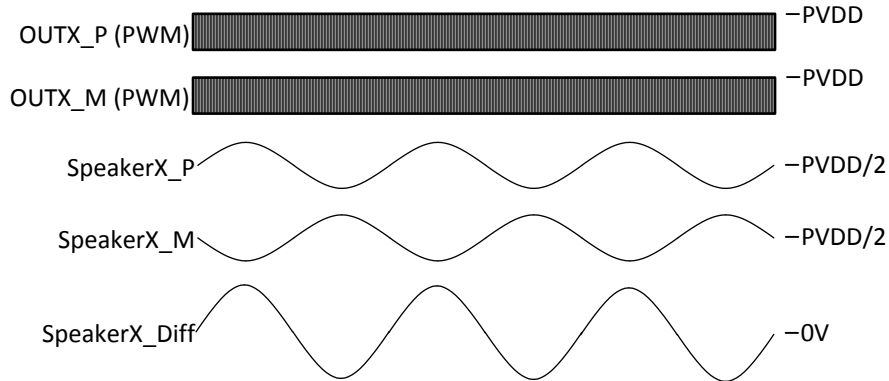


图 8-12. AD Mode Speaker Output Signals, Low or and High Level Output

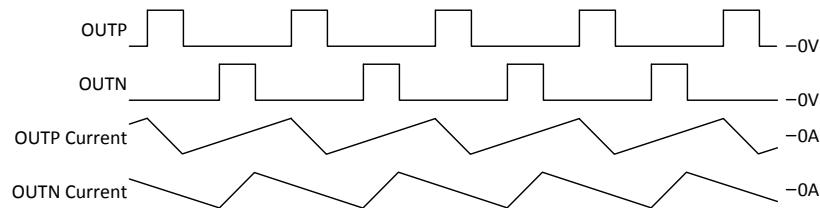


图 8-13. HEAD Mode Output Waveforms, Idle

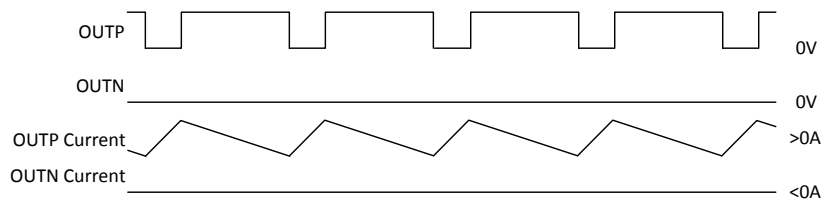


图 8-14. HEAD Mode Output Waveforms, High Level Output

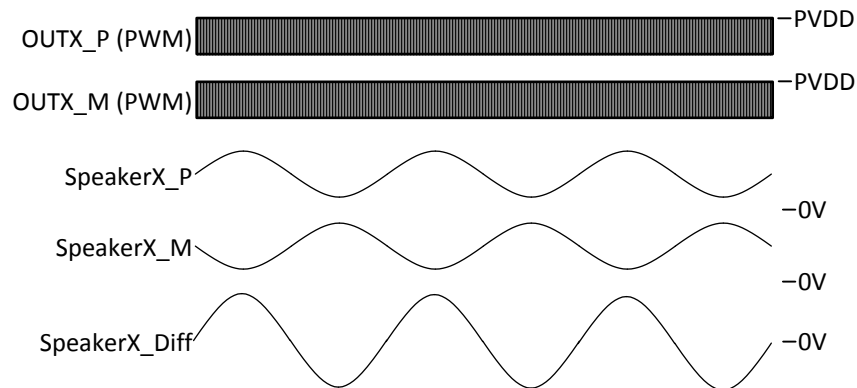


图 8-15. HEAD Mode Speaker Output Signals, Low Level Output

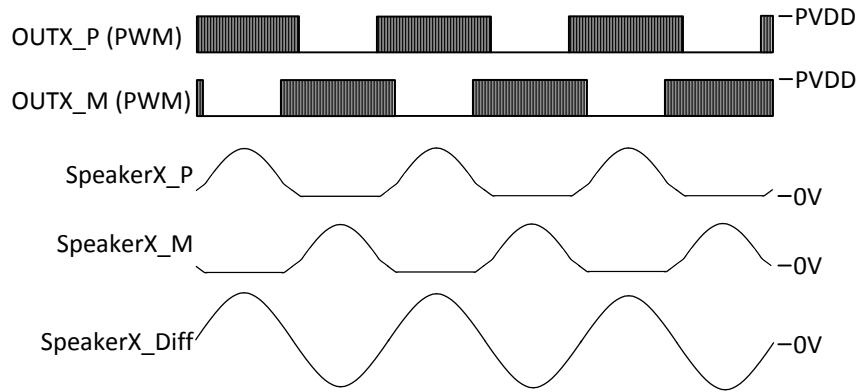


图 8-16. HEAD Mode Speaker Output Signals, High Level Output



### 8.3.4 Oscillator

The oscillator frequency can be trimmed by external control of the `FREQ_ADJ` pin.

To reduce interference problems while using radio receiver tuned within the AM band, the switching frequency can be changed from nominal to higher values. These values are chosen such that the nominal and the higher value switching frequencies together results in the fewest cases of interference throughout the AM band. The oscillator frequency can be selected by the value of the `FREQ_ADJ` resistor connected to GND in controller mode according to the description in the [节 6.5](#) table.

For peripheral mode operation, turn off the oscillator by pulling the `FREQ_ADJ` pin to AVDD. This configures the `OSC_I/O` pins as inputs to be peripherals from an external differential clock. In a controller/peripheral system inter channel delay is automatically setup between the switching of the audio channels, which can be illustrated by no idle channels switching at the same time. This does not influence the audio output, but only the switch timing to minimize noise coupling between audio channels through the power supply to optimize audio performance and to get better operating conditions for the power supply. The inter channel delay is setup for a peripheral device depending on the polarity of the `OSC_I/O` connection such that a peripheral mode 1 is selected by connecting the controller device `OSC_I/O` to the peripheral 1 device `OSC_I/O` with same polarity (+ to + and - to -), and peripheral mode 2 is selected with the inverse polarity (+ to - and - to +).

### 8.3.5 Input Impedance

The TPA3221 input stage is a fully differential input stage and the input impedance changes with the gain setting from 7.7 k $\Omega$  at 34 dB gain to 47 k $\Omega$  at 18 dB gain. Table 1 lists the values from min to max gain. The tolerance of the input resistor value is  $\pm 20\%$  so the minimum value will be higher than 6.2 k $\Omega$ . The inputs need to be AC-coupled to minimize the output DC-offset and ensure correct ramping of the output voltages during power-ON and power-OFF. The input ac-coupling capacitor together with the input impedance forms a high-pass filter with the following cut-off frequency:

If a flat bass response is required down to 20 Hz the recommended cut-off frequency is a tenth of that, 2 Hz. [表 8-2](#) lists the recommended ac-couplings capacitors for each gain step. If a -3 dB is accepted at 20 Hz 10 times lower capacitors can used - for example, a 1  $\mu$ F can be used.

**表 8-2. Recommended Input AC-Coupling Capacitors**

| Gain  | Input Impedance | Input AC-Coupling Capacitance | Input High Pass Filter |
|-------|-----------------|-------------------------------|------------------------|
| 18 dB | 48 k $\Omega$   | 4.7 $\mu$ F                   | 0.7 Hz                 |
| 24 dB | 24 k $\Omega$   | 10 $\mu$ F                    | 0.7 Hz                 |
| 30 dB | 12 k $\Omega$   | 10 $\mu$ F                    | 1.3 Hz                 |
| 34 dB | 7.7 k $\Omega$  | 10 $\mu$ F                    | 2.1 Hz                 |

The input capacitors used should be a type with low leakage, like quality electrolytic, tantalum, film or ceramic. If a polarized type is used the positive connection should face such that the capacitor has a positive DC bias.

### 8.3.6 Error Reporting

The `FAULT`, and `OTW_CLIP`, pins are active-low, open-drain outputs. The `FAULT` function is for protection-mode signaling to a system-control device. Any fault resulting in device shutdown is signaled by the `FAULT` pin going low. Also, `OTW_CLIP` goes low when the device junction temperature exceeds 125°C (see [表 8-3](#)).

**表 8-3. Error Reporting**

| FAULT | OTW_CLIP | DESCRIPTION   |
|-------|----------|---|
| 0     | 0        | Overtemperature (OTE), overload (OLP), or undervoltage (UVP). Junction temperature higher than 125°C (overtemperature warning). |
| 0     | 1        | Overload (OLP) or undervoltage (UVP). Junction temperature lower than 125°C   |
| 1     | 0        | Junction temperature higher than 125°C (overtemperature warning)  |
| 1     | 1        | Junction temperature lower than 125°C and no OLP or UVP faults (normal operation)   |

Note that asserting  $\overline{\text{RESET}}$  low forces the  $\overline{\text{FAULT}}$  signal high, independent of faults being present. TI recommends monitoring the  $\overline{\text{OTW\_CLIP}}$  signal using the system microcontroller and responding to an overtemperature warning signal by turning down the volume to prevent further heating of the device resulting in device shutdown (OTE).

To reduce external component count, an internal pullup resistor to 3.3 V is provided on both  $\overline{\text{FAULT}}$  and  $\overline{\text{OTW\_CLIP}}$  outputs.

## 8.4 Device Functional Modes

TPA3221 can be configured in either a stereo BTL (Bridge Tied Load) mode, mono BTL mode (only one output BTL channel active), or in a mono PBTL (Parallel Bridge Tied Load) mode. In PBTL mode the two output BTL channels are paralleled with double output current available. The paralleling of the two BTL outputs can be made either before the output LC filter, or after the output LC filter. For PBTL mode the audio performance in general be higher when paralleling before the output LC filter, but paralleling after the LC output filter can be preferred in some systems.

See 表 5-2 for mode configuration setup.

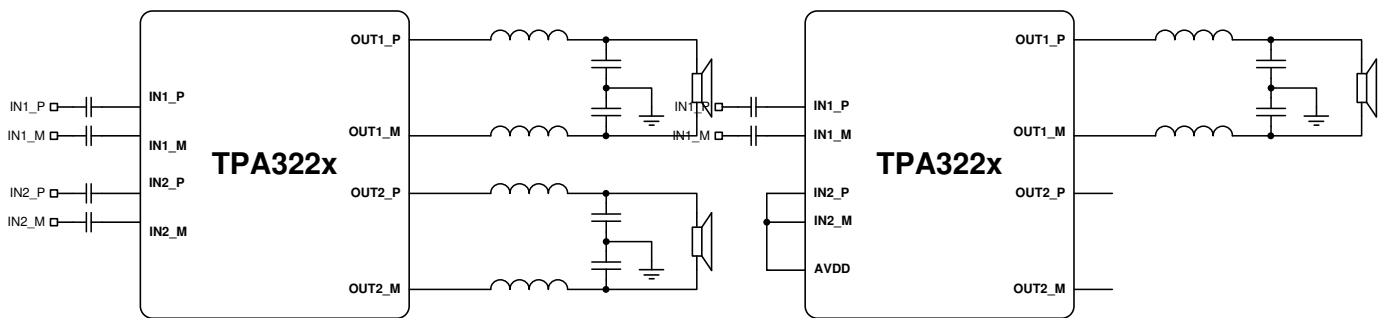


图 8-17. Stereo BTL

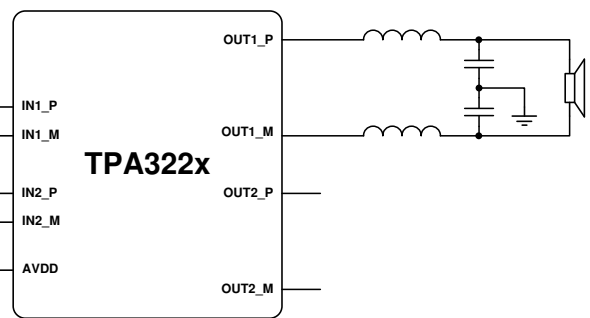


图 8-18. Mono BTL

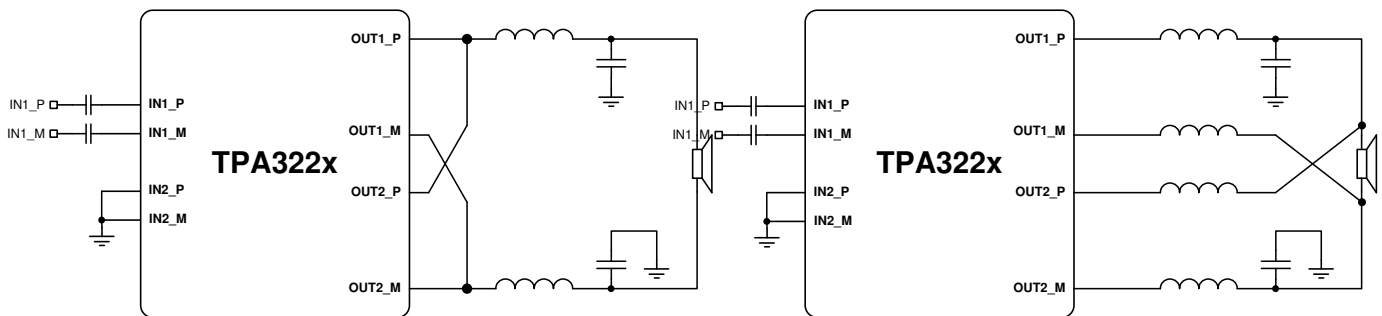


图 8-19. Mono PBTL, Pre LC Filter

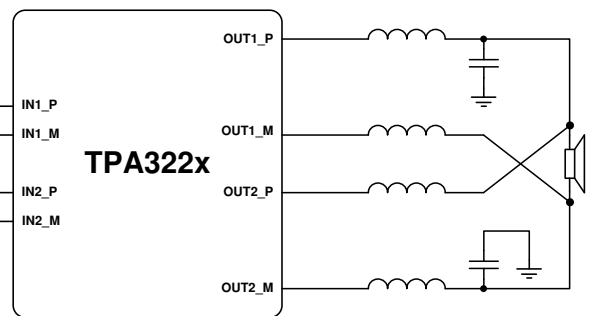


图 8-20. Mono PBTL, Post LC Filter

### 8.4.1 Powering Up

The TPA3221 does not require a power-up sequence because of the integrated undervoltage protection (UVP), but TI recommends to hold  $\overline{\text{RESET}}$  low until PVDD supply voltage is stable to avoid audio artifacts. The outputs of the H-bridges remain in a high-impedance state until the gate-drive supply (GVDD) and AVDD voltages are above the UVP voltage thresholds (see the 节 6.5 table of this data sheet). This allows an internal circuit to charge the external bootstrap capacitors by enabling a weak pull-down of the half-bridge output as well as initiating a controlled ramp up sequence of the output voltage.

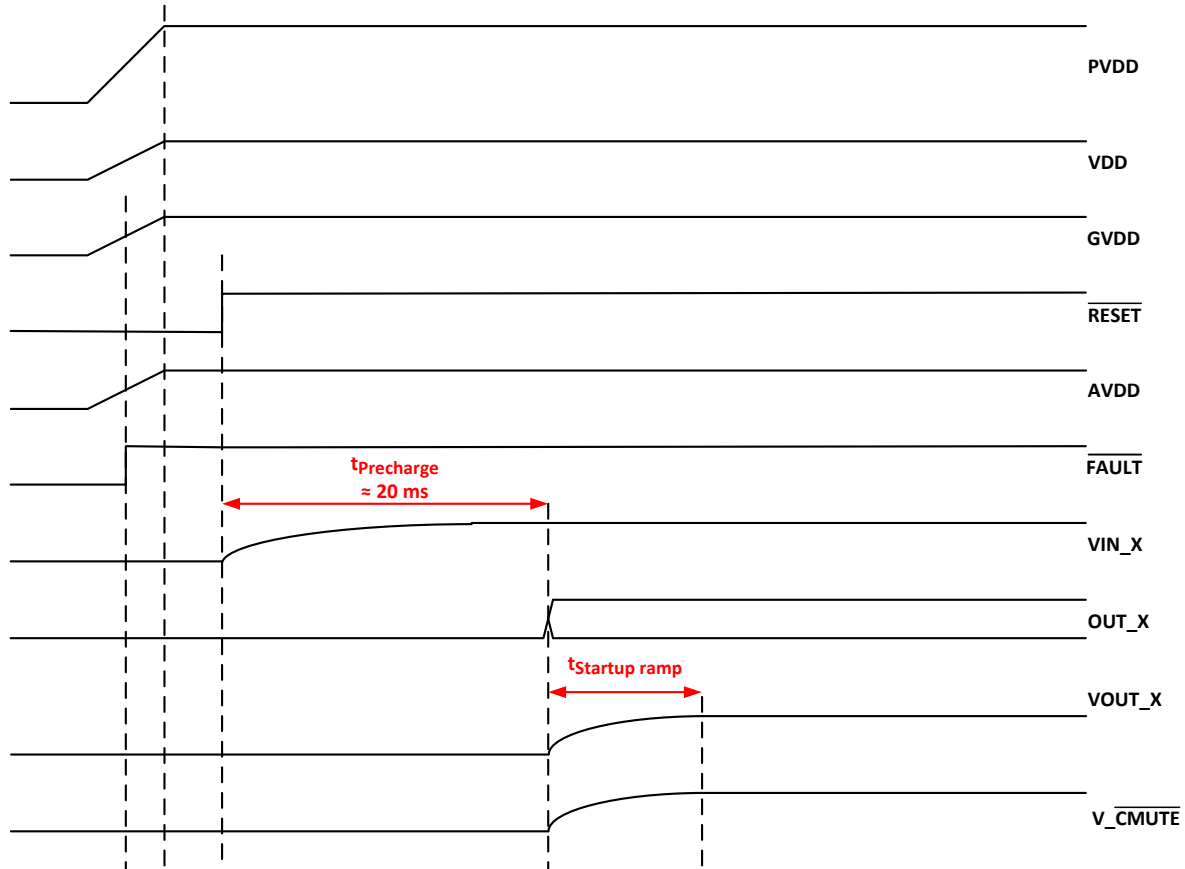


图 8-21. Startup Timing

When  $\overline{\text{RESET}}$  is released to turn on TPA3221,  $\overline{\text{FAULT}}$  signal turns low and AVDD voltage regulator is enabled.  $\overline{\text{FAULT}}$  stays low until AVDD reaches the undervoltage protection (UVP) voltage threshold (refer to the 节 6.5 table of this data sheet). After a pre-charge time to stabilize the DC voltage across the input AC coupling capacitors, the ramp up sequence starts and completes once the  $\overline{\text{CMUTE}}$  node is charged to the final value.

#### 8.4.1.1 Startup Ramp Time

During the startup ramp the  $\overline{\text{CMUTE}}$  capacitor is charged by an internal current generator. With use of the recommended 33 nF  $\overline{\text{CMUTE}}$  capacitor value, the startup ramp time is approximately 20 ms. Higher  $\overline{\text{CMUTE}}$  capacitor value will increase the ramp time, and a lower value will decrease the ramp time. The recommended  $\overline{\text{CMUTE}}$  capacitor value is selected for minimum audible artifacts during startup and shutdown ramp.

#### 8.4.2 Powering Down

The TPA3221 does not require a power-down sequence. The device remains fully operational as long as the VDD, AVDD and PVDD voltages are above the undervoltage protection (UVP) voltage thresholds (see the 节 6.5 table of this data sheet). Although not specifically required, a good practice is to hold  $\overline{\text{RESET}}$  low during power down, thus preventing audible artifacts including pops or clicks by initiating a controlled ramp down sequence of the output voltage. The ramp down sequence completes once the  $\overline{\text{CMUTE}}$  node is discharged.

##### 8.4.2.1 Power Down Ramp Time

During the power down ramp the  $\overline{\text{CMUTE}}$  capacitor is discharged by internal circuitry. With use of the recommended 33 nF  $\overline{\text{CMUTE}}$  capacitor value, the power-down ramp time is approximately 20 ms.

### 8.4.3 Device Reset

Asserting  $\overline{\text{RESET}}$  low initiates the device ramp down. The output FETs go into a Hi-Z state after the ramp down is complete. Output pull downs are active in both BTL mode and PBTL mode with  $\overline{\text{RESET}}$  low.

In BTL modes, to accommodate bootstrap charging prior to switching start, asserting the  $\overline{\text{RESET}}$  input low enables weak pull-down of the half-bridge outputs.

Asserting  $\overline{\text{RESET}}$  low removes any fault information to be signaled on the  $\overline{\text{FAULT}}$  output, that is,  $\overline{\text{FAULT}}$  is forced high. A rising-edge transition on  $\overline{\text{RESET}}$  allows the device to resume operation after a fault. To maintain thermal reliability, the rising edge of  $\overline{\text{RESET}}$  must occur no sooner than 4ms after the falling edge of  $\overline{\text{FAULT}}$ .

The TPA3221 enters a low power state once the ramp down sequence is complete.

### 8.4.4 Device Soft Mute

Asserting  $\overline{\text{CMUTE}}$  low initiates the device soft mute function. The soft mute function initiates a ramp down sequence of the outputs, and the output FETs go into a Hi-Z state after the ramp down is complete. All internal circuits are powered while in soft mute state. External control of the soft mute function must provide high impedance output when not engaged (open drain output) to allow the  $\overline{\text{CMUTE}}$  node to charge/discharge during device ramp up and ramp down when de-asserting and asserting  $\overline{\text{RESET}}$ .

### 8.4.5 Device Protection System

The TPA3221 contains advanced protection circuitry carefully designed to facilitate system integration and ease of use, as well as to safeguard the device from permanent failure due to a wide range of fault conditions such as short circuits, overload, overtemperature and undervoltage. The TPA3221 responds to a fault by immediately setting the power stage in a high-impedance (Hi-Z) state and asserting the  $\overline{\text{FAULT}}$  pin low. In situations other than overload and overtemperature error (OTE), the device automatically recovers when the fault condition has been removed, that is, the supply voltage has increased. The device handles errors, as shown in [表 8-4](#).

表 8-4. Device Protection

| BTL MODE       |           | PBTL MODE      |           |
|----------------|-----------|----------------|-----------|
| LOCAL ERROR IN | TURNS OFF | LOCAL ERROR IN | TURNS OFF |
| A              | A+B       | A              | A+B+C+D   |
| B              |           | B              |           |
| C              | C+D       | C              |           |
| D              |           | D              |           |

Bootstrap UVP does not shutdown according to the table, Bootstrap UVP shuts down the respective halfbridge (non-latching, does not assert  $\overline{\text{FAULT}}$ ).

#### 8.4.5.1 Overload and Short Circuit Current Protection

TPA3221 has fast reacting current sensors on all high-side and low-side FETs. To prevent output current from increasing beyond the overcurrent threshold, TPA3221 uses current limiting of the output current for each switching cycle (Cycle By Cycle Current Control, CB3C) in case of excess output current. CB3C prevents premature shutdown due to high output current transients caused by high level music transients and a drop of real speaker' s load impedance, and allows the output current to be limited to a maximum programmed level. If the maximum output current persists, i.e. the power stage being overloaded with too low load impedance, the device will shut down the affected output channel and the affected output is put in a high-impedance (Hi- Z) state until a  $\overline{\text{RESET}}$  cycle is initiated. CB3C works individually for each full-bridge output. If an over current event is triggered, CB3C performs a state flip of the full-bridged output that is cleared upon beginning of next PWM frame.

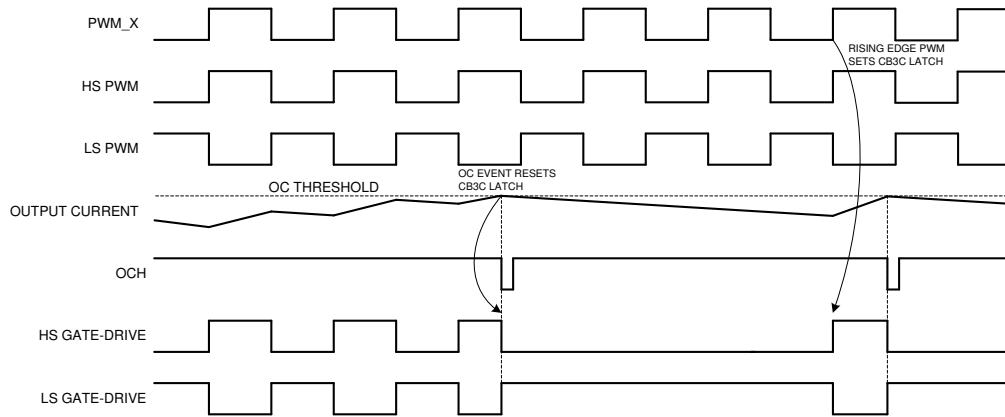


图 8-22. CB3C Timing Example

#### 8.4.5.2 Signal Clipping and Pulse Injector

A built in activity detector monitors the PWM activity of the OUT\_X pins. TPA3221 is designed to drive unclipped output signals all the way to PVDD and GND rails. In case of audio signal clipping when applying excessive input signal voltage, or in case of CB3C current protection being active, the amplifier feedback loop of the audio channel will respond to this condition with a saturated state, and the output PWM signals stops unless special circuitry is implemented to handle this situation. To prevent the output PWM signals from stopping in a clipping or CB3C situation, narrow pulses are injected to the gate drive to maintain output activity. The injected narrow pulses are injected at every 4<sup>th</sup> PWM frame, and thus the effective switching frequency during this state is reduced to 1/4 of the normal switching frequency.

Signal clipping is signalled on the OTW\_CLIP pin and is self clearing when signal level reduces and the device reverts to normal operation. The OTW\_CLIP pulses starts at the onset to output clipping, typically at a THD level around 0.01%, resulting in narrow OTW\_CLIP pulses starting with a pulse width of ~500ns.

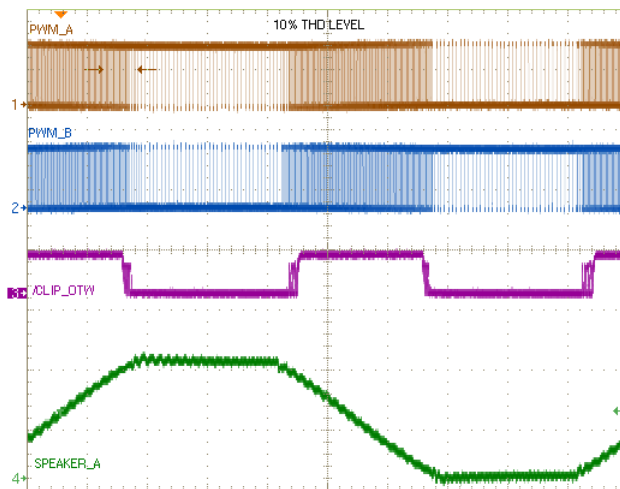


图 8-23. Signal Clipping PWM and Speaker Output Signals

#### 8.4.5.3 DC Speaker Protection

The output DC protection scheme protects a speaker from excess DC current in case one terminal of the speaker is connected to the amplifier while the other is accidentally shorted to the chassis ground. Such a short circuit results in a DC voltage of PVDD/2 across the speaker, which potentially can result in destructive current levels. The output DC protection detects any unbalance of the output and input current of a BTL or PBTL output configuration (current into/out of one half-bridge equals current out of/into the other half-bridge), and in the event of the unbalance exceeding a programmed threshold, the overload counter increments until its maximum value

and the affected output channel is shut down. DC Speaker Protection is enabled in both BTL and PBTL mode operation.

#### 8.4.5.4 Pin-to-Pin Short Circuit Protection (PPSC)

The PPSC detection system protects the device from permanent damage in the case that a power output pin (OUT\_X) is shorted to GND\_X or PVDD\_X. For comparison, the OC protection system detects an overcurrent after the demodulation filter where PPSC detects shorts directly at the pin before the filter. PPSC detection is performed at startup after RESET is pulled high. When PPSC detection is activated by a short on the output, all half-bridges are kept in a Hi-Z state until the short is removed; the device then continues the startup sequence and starts switching. The detection is controlled globally by a two step sequence. The first step ensures that there are no shorts from OUT\_X to GND\_X, the second step tests that there are no shorts from OUT\_X to PVDD\_X. The total duration of this process is roughly proportional to the capacitance of the output LC filter. The typical duration is  $< 15 \text{ ms}/\mu\text{F}$ . While the PPSC detection is in progress, FAULT is kept low. If no shorts are present the PPSC detection passes, and FAULT is released. A device reset will start a new PPSC detection. PPSC detection is enabled in both BTL and PBTL output configurations. To make sure not to trip the PPSC detection system it is recommended not to insert a resistive load to GND\_X or PVDD\_X.

#### 8.4.5.5 Overtemperature Protection OTW and OTE

TPA3221 has a two-level temperature-protection system that asserts an active-low warning signal ( $\overline{\text{OTW\_CLIP}}$ ) when the device junction temperature exceeds 125°C (typical) and, if the device junction temperature exceeds 155°C (typical), the device is put into thermal shutdown, resulting in all half-bridge outputs being set in the high-impedance (Hi-Z) state and FAULT being asserted low. OTE is latched in this case. To clear the OTE latch, RESET must be asserted. Thereafter, the device resumes normal operation.

#### 8.4.5.6 Undervoltage Protection (UVP) and Power-on Reset (POR)

The UVP and POR circuits of the TPA3221 protect the device in specific power-up/down and brownout situations. While powering up, the POR circuit ensures that all circuits are fully operational when the AVDD supply voltage reaches the value stated in [Electrical Characteristics](#). Although AVDD is independently monitored, a supply voltage drop below the UVP threshold on AVDD pin results in all half-bridge outputs immediately being set in the high-impedance (Hi-Z) state and FAULT being asserted low. The device automatically resumes operation when all supply voltages have increased above their UVP threshold. Overvoltage protection is disabled in TPA3221.

### 8.4.5.7 Fault Handling

If a fault situation occurs while in operation, the device acts accordingly to the fault being a global or a channel fault. A global fault is a chip-wide fault situation and causes all PWM activity of the device to be shut down, and asserts  $\overline{\text{FAULT}}$  low. A global fault is a latching fault and clearing  $\overline{\text{FAULT}}$  and restarting operation requires resetting the device by toggling  $\overline{\text{RESET}}$ . De-asserting  $\overline{\text{RESET}}$  should never be allowed with excessive system temperature, so it is advised to monitor  $\overline{\text{RESET}}$  with a system microcontroller and only release  $\overline{\text{RESET}}$  ( $\overline{\text{RESET}}$  high) if the  $\overline{\text{OTW\_CLIP}}$  signal is cleared (high). A channel fault results in shutdown of the PWM activity of the affected channel(s). Note that asserting  $\overline{\text{RESET}}$  low forces the  $\overline{\text{FAULT}}$  signal high, independent of faults being present.

**表 8-5. Error Reporting**

| Fault/Event                   | Fault/Event Description               | Global or Channel | Reporting Method                  | Latched/Self Clearing | Action needed to Clear              | Output FETs                        |
|-------------------------------|---------------------------------------|-------------------|-----------------------------------|-----------------------|-------------------------------------|------------------------------------|
| PVDD_X UVP                    | Voltage Fault                         | Global            | $\overline{\text{FAULT}}$ pin     | Self Clearing         | Increase affected supply voltage    | HI-Z                               |
| AVDD UVP                      |                                       |                   |                                   |                       |                                     |                                    |
| POR (AVDD UVP)                | Power On Reset                        | Global            | $\overline{\text{FAULT}}$ pin     | Self Clearing         | Allow AVDD to rise                  | HI-Z                               |
| OTW                           | Thermal Warning                       | Global            | $\overline{\text{OTW\_CLIP}}$ pin | Self Clearing         | Cool below OTW threshold            | Normal operation                   |
| OTE                           | Thermal Shutdown                      | Global            | $\overline{\text{FAULT}}$ pin     | Latched               | Toggle $\overline{\text{RESET}}$    | HI-Z                               |
| OLP (CB3C>1.7 ms)             | OC Shutdown                           | Channel           | $\overline{\text{FAULT}}$ pin     | Latched               | Toggle $\overline{\text{RESET}}$    | HI-Z                               |
| CB3C                          | OC Limiting                           | Channel           | None                              | Self Clearing         | Reduce signal level or remove short | Flip state, cycle by cycle at fs/3 |
| Stuck at Fault <sup>(1)</sup> | No OSC_IO activity in Peripheral Mode | Global            | None                              | Self Clearing         | Resume OSC_IO activity              | HI-Z                               |

- (1) Stuck at Fault occurs when input OSC\_IO input signal frequency drops below minimum frequency given in the [Electrical Characteristics](#) table of this data sheet.

## 9 Application and Implementation

### 备注

Information in the following applications sections is not part of the TI component specification, and TI does not warrant its accuracy or completeness. TI's customers are responsible for determining suitability of components for their purposes. Customers should validate and test their design implementation to confirm system functionality.

### 9.1 Application Information

TPA3221 can be configured either in stereo BTL, mono BTL or mono PBTL mode depending on output power conditions and system design.

### 9.2 Typical Applications

#### 9.2.1 Stereo BTL Application

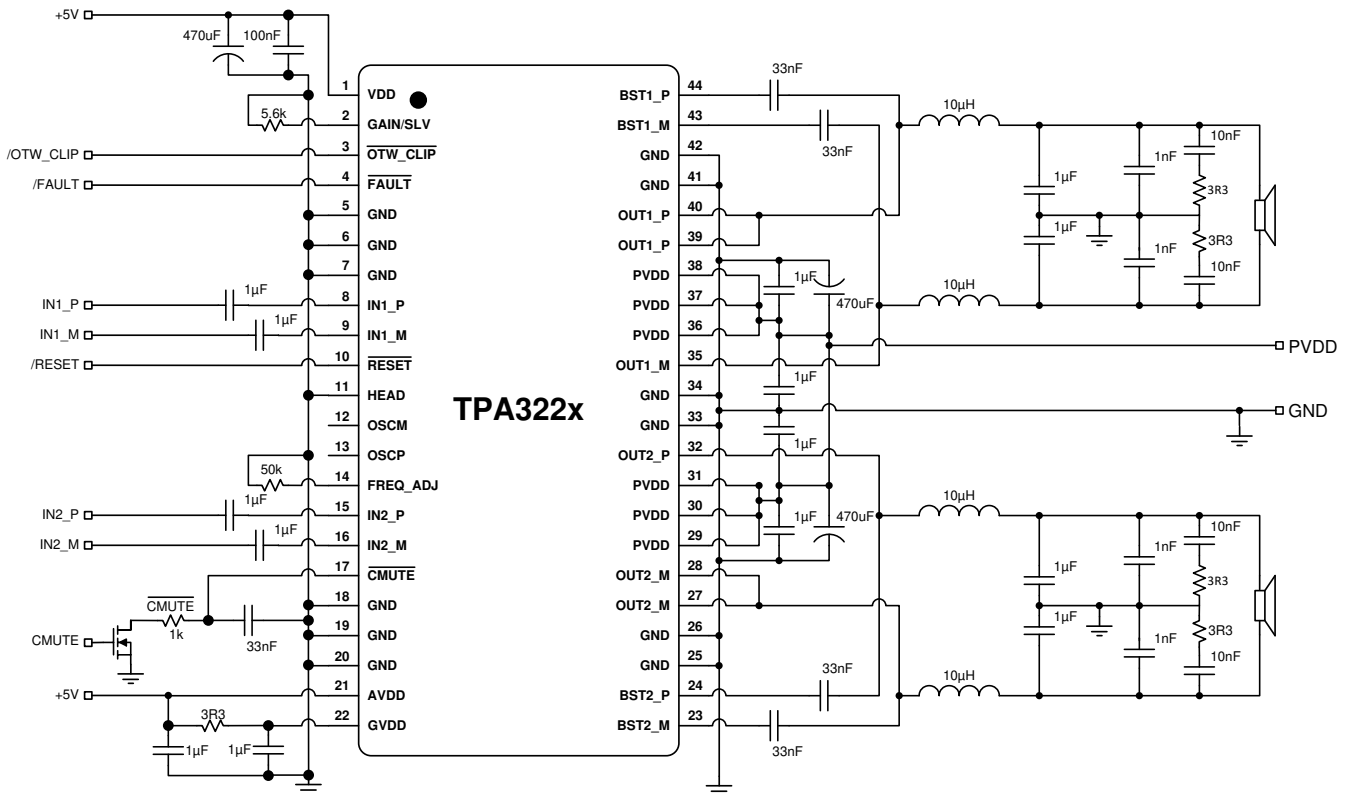


图 9-1. Typical Differential (2N) AD-Mode BTL Application



### 9.2.1.1 Design Requirements

For this design example, use the parameters in [表 9-1](#).

**表 9-1. Design Requirements, BTL Application**

| DESIGN PARAMETER  | EXAMPLE   |
|-------------------|---|
| Low Power Supply  | 5 V   |
| High Power Supply | 7 - 30 V  |
| Analog Inputs     | IN1_M = ±2.8V (peak, max)                         |
|                   | IN1_P = ±2.8V (peak, max)                         |
|                   | IN2_M = ±2.8V (peak, max)                         |
|                   | IN2_P = ±2.8V (peak, max)                         |
| Output Filters    | Inductor-Capacitor Low Pass Filter (10 μH + 1 μF) |
| Speaker Impedance | 3 - 8 Ω   |

### 9.2.1.2 Detailed Design Procedures

A rising-edge transition on  $\overline{\text{RESET}}$  input allows the device to execute the startup sequence and starts switching.

A toggling  $\overline{\text{OTW\_CLIP}}$  signal is indicating that the output is approaching clipping. The signal can be used either to decrease audio volume or to control an intelligent power supply nominally operating at a low rail adjusting to a higher supply rail.

The device inverts the audio signal from input to output.

The AVDD pin is not recommended to be used as a voltage source for external circuitry when internal LDO is enabled ( $V_{DD} \geq 7 \text{ V}$ ).

#### 9.2.1.2.1 Decoupling Capacitor Recommendations

To design an amplifier that has robust performance, passes regulatory requirements, and exhibits good audio performance, good quality decoupling capacitors is used. In practice, X7R is used in this application.

The voltage of the decoupling capacitors is selected in accordance with good design practices. Temperature, ripple current, and voltage overshoot must be considered. This fact is particularly true in the selection of the 1 μF that is placed on the power supply to each full-bridge. The power supply must withstand the voltage overshoot of the PWM switching, the heat generated by the amplifier during high power output, and the ripple current created by high power output. A minimum voltage rating of 50V is required for use with a 30V power supply.

#### 9.2.1.2.2 PVDD Capacitor Recommendation

The large capacitors used in conjunction with each full-bridge, are referred to as the PVDD Capacitors. These capacitors should be selected for proper voltage margin and adequate capacitance to support the power requirements. In practice, with a well designed system power supply, 470 μF, 50 V supports most applications. The PVDD capacitors should be low ESR type because they are used in a circuit associated with high-speed switching.

#### 9.2.1.2.3 BST capacitors

To maintain large enough bootstrap energy storage for the high side gate drive to work correctly with all audio source signals, 33nF / 50V X7R BST capacitors are recommended.

#### 9.2.1.2.4 PCB Material Recommendation

FR-4 Glass Epoxy material with 2 oz. (70 μm) copper is recommended for use with the TPA3221. The use of this material can provide for higher power output, improved thermal performance, and better EMI margin due to lower PCB trace inductance.

### 9.2.2 Typical Application, Differential (2N), AD-Mode PBTL (Outputs Paralleled before LC filter)

TPA3221 can be configured in mono PBTL mode by paralleling the outputs before the LC filter or after the LC filter (see [§ 9.2.3](#)). Paralleled outputs before the LC filter is recommended for better performance and limiting the number of output LC filter inductors.

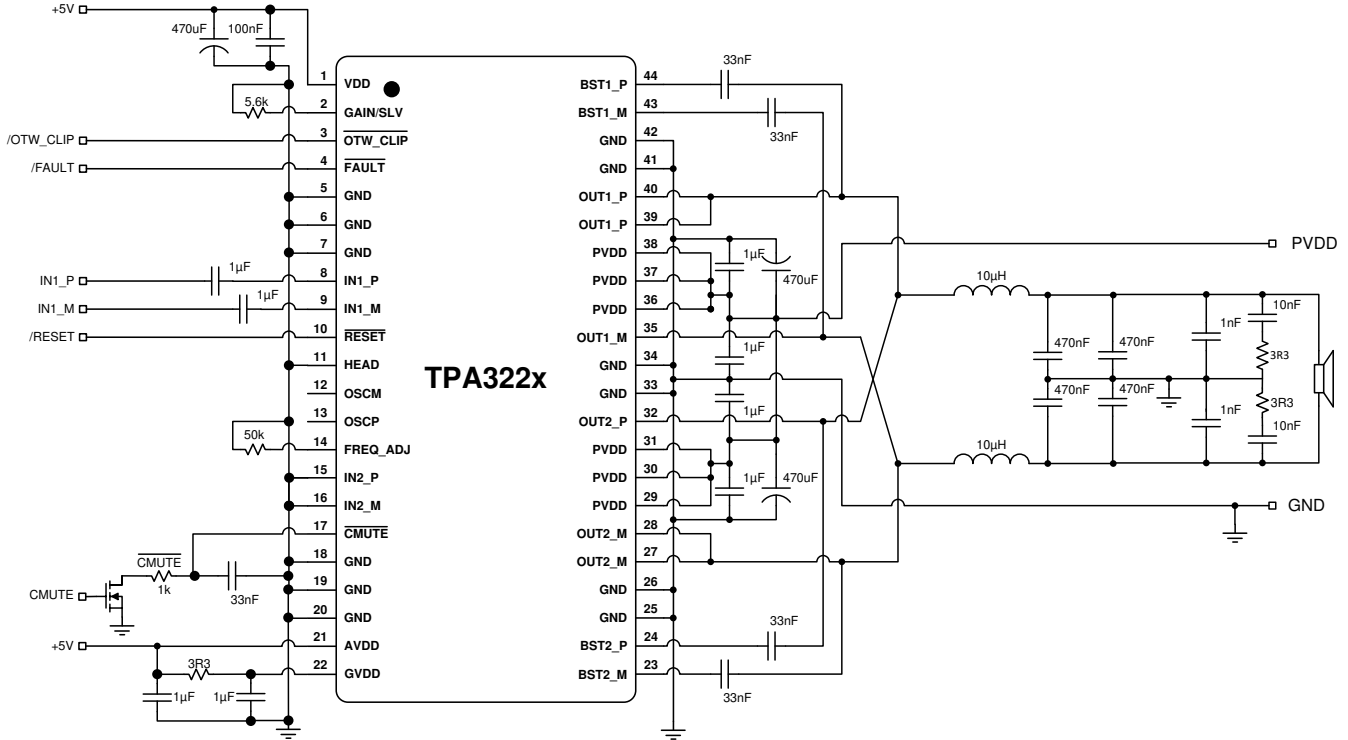


图 9-2. Typical Differential (2N) AD-Mode PBTL Application

#### 9.2.2.1 Design Requirements

Refer to [§ 9.2.1](#) for the Design Requirements.

表 9-2. Design Requirements, PBTL Application

| DESIGN PARAMETER  | EXAMPLE   |
|-------------------|---|
| Low Power Supply  | 5 V   |
| High Power Supply | 7 - 30 V  |
| Analog Inputs     | IN1_M = ±2.8 V (peak, max)                        |
|                   | IN1_P = ±2.8 V (peak, max)                        |
|                   | IN2_M = Grounded                                  |
|                   | IN2_P = Grounded                                  |
| Output Filters    | Inductor-Capacitor Low Pass Filter (10 μH + 1 μF) |
| Speaker Impedance | 2 - 4 Ω   |

### 9.2.3 Typical Application, Differential (2N), AD-Mode PBTL (Outputs Paralleled after LC filter)

TPA3221 can be configured in mono PBTL mode by paralleling the outputs before the LC filter (see [§ 9.2.2](#)) or after the LC filter. Paralleled outputs after the LC filter may be preferred if: a single board design must support both PBTL and BTL, or in the case multiple, smaller paralleled inductors are preferred due to size or cost. Paralleling after the LC filter requires four inductors, one for each OUT\_x. This section shows an example of paralleled outputs after the LC filter.

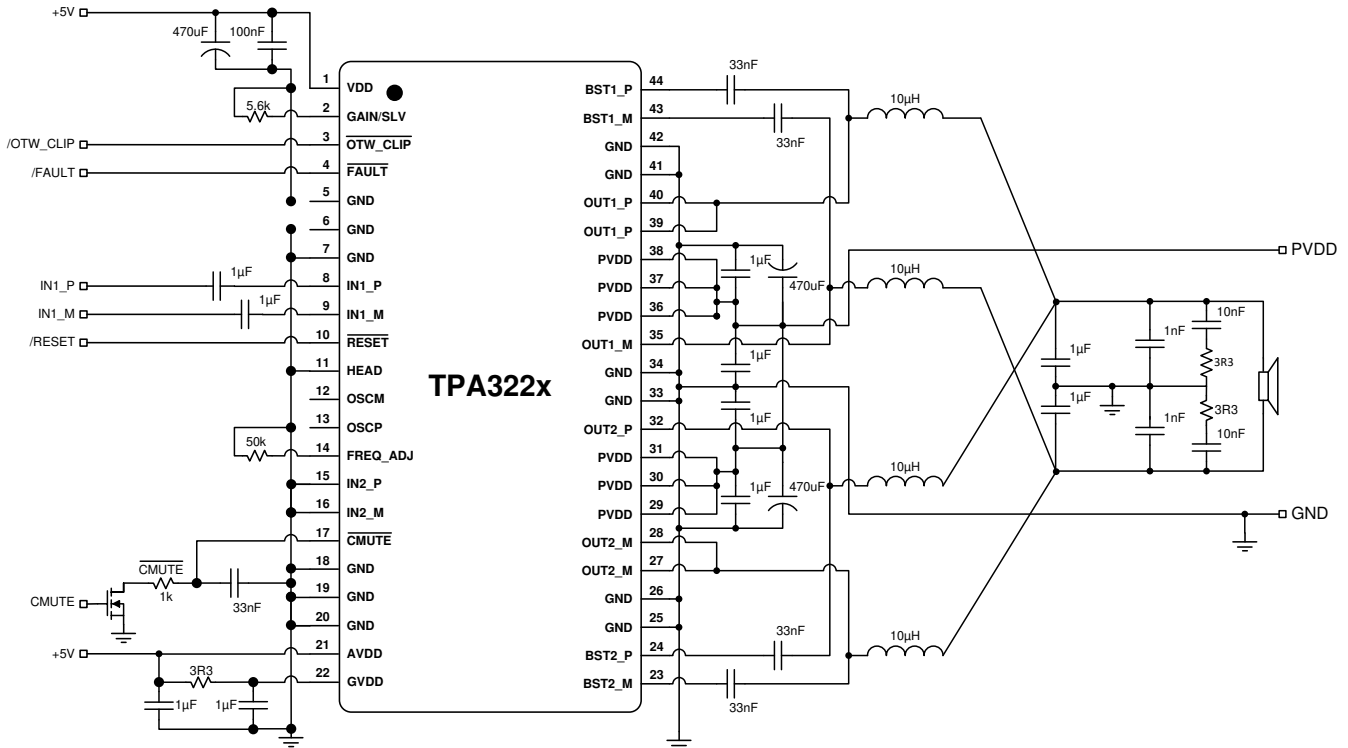


图 9-3. Typical Differential (2N) AD-Mode PBTL Application

#### 9.2.3.1 Design Requirements

Refer to [§ 9.2.1](#) for the Design Requirements.

表 9-3. Design Requirements, PBTL Application

| DESIGN PARAMETER  | EXAMPLE   |
|-------------------|---|
| Low Power Supply  | 5 V   |
| High Power Supply | 7 - 30 V  |
| Analog Inputs     | IN1_M = ±2.8 V (peak, max)                        |
|                   | IN1_P = ±2.8 V (peak, max)                        |
|                   | IN2_M = Grounded                                  |
|                   | IN2_P = Grounded                                  |
| Output Filters    | Inductor-Capacitor Low Pass Filter (10 μH + 1 μF) |
| Speaker Impedance | 2 - 4 Ω   |

## 9.3 Power Supply Recommendations

### 9.3.1 Power Supplies

The TPA3221 device requires a single external power supply for proper operation. A high-voltage supply, PVDD, is required to power the output stage of the speaker amplifier and the associated circuitry. PVDD can be used to supply an internal LDO to supply 5V to AVDD and GVDD (connect VDD to PVDD).

Additionally, in LDO bypass mode an external power supply are connected to VDD, AVDD and GVDD to power the gate-drive and other internal digital and analog circuit blocks in the device.

The allowable voltage range for both the PVDD and VDD/AVDD/GVDD supplies are listed in the [§ 6.3](#) table. Maintain both the PVDD and the VDD/AVDD/GVDD supplies can deliver more current than listed in the [§ 6.5](#) table.

#### 9.3.1.1 VDD Supply

VDD can be connected to PVDD in systems using only a single power supply. VDD is connected to an internal LDO that is then used to supply AVDD and GVDD for digital and analog circuits as well as to supply the gate drive.

To reduce device power consumption, the internal LDO can be bypassed by connecting VDD, AVDD and GVDD to an external 5 V power supply.

Proper connection, routing, and decoupling techniques are highlighted in the TPA3221 device EVM User's Guide (as well as the [§ 9.1](#) section and [§ 9.4.2](#) section) and must be followed as closely as possible for proper operation and performance. Deviation from the guidance offered in the TPA3221 device EVM User's Guide, which followed the same techniques as those shown in the [§ 9.1](#) section, may result in reduced performance, errant functionality, or even damage to the TPA3221 device. To simplify the power supply requirements for the system, the TPA3221 device includes a integrated low-dropout (LDO) linear regulator to create a 5V rail for AVDD and GVDD supplies. The linear regulator is internally connected to the VDD supply and its output is present on the AVDD pin, providing a connection point for an external bypass capacitors. It is important to note that the linear regulator integrated in the device has only been designed to support the current requirements of the internal circuitry, and should not be used to power any additional external circuitry. Additional loading on these pins could cause the voltage to sag and increase noise injection, which negatively affects the performance and operation of the device.

#### 9.3.1.2 AVDD and GVDD Supplies

AVDD and GVDD can be supplied either through the internal LDO or from external 5V power supply to power internal analog and digital circuits and the gate-drives for the output H-bridges. Proper connection, routing, and decoupling techniques are highlighted in the TPA3221 device EVM User's Guide (as well as the [§ 9.1](#) section and [§ 9.4.2](#) section) and must be followed as closely as possible for proper operation and performance. Deviation from the guidance offered in the TPA3221 device EVM User's Guide, which followed the same techniques as those shown in the [§ 9.1](#) section, may result in reduced performance, errant functionality, or even damage to the TPA3221 device.

#### 9.3.1.3 PVDD Supply

The output stage of the speaker amplifier drives the load using the PVDD supply. This is the power supply which provides the drive current to the load during playback. Proper connection, routing, and decoupling techniques are highlighted in the TPA3221 device EVM User's Guide (as well as the [§ 9.1](#) section and [§ 9.4.2](#) section) and must be followed as closely as possible for proper operation and performance. Due the high-voltage switching of the output stage, it is particularly important to properly decouple the output power stages in the manner described in the TPA3221 device EVM User's Guide. The lack of proper decoupling, like that shown in the EVM User's Guide, can results in voltage spikes which can damage the device, or cause poor audio performance and device shutdown faults.

#### 9.3.1.4 BST Supply

TPA3221 has built-in bootstrap supply for each half bridge gate drive to supply the high side MOSFETs, only requiring a single capacitor per half bridge. The capacitors are connected to each half bridge output, and are charged by the GVDD supply via an internal diode while the PWM outputs are in low state. The high side gate drive is supplied by the voltage across the BST capacitor while the output PWM is high. TI recommends to place the BST capacitors close to the TPA3221 device, and to keep PCB routing traces at minimum length.

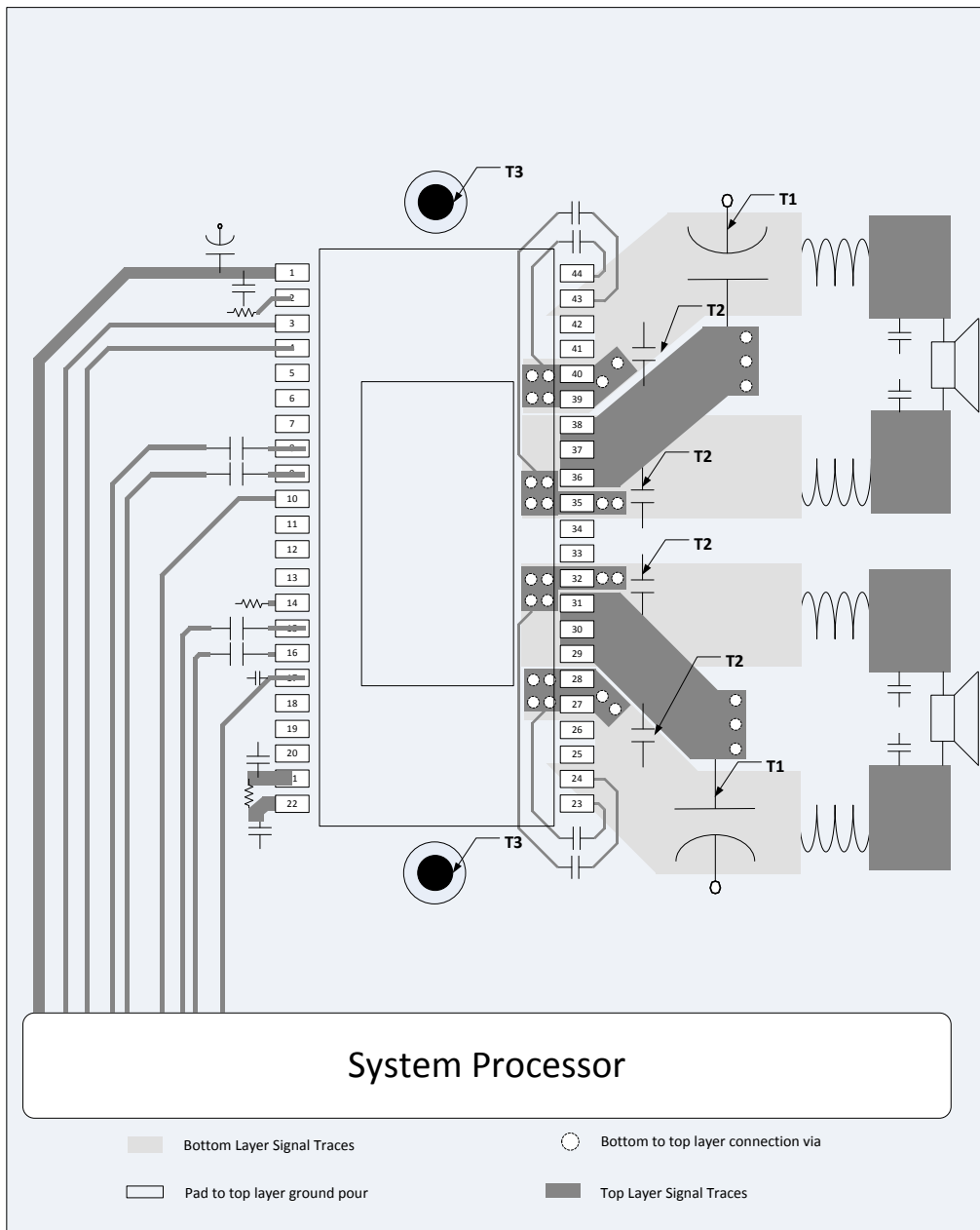
### 9.4 Layout

#### 9.4.1 Layout Guidelines

- Use an unbroken ground plane to have good low impedance and inductance return path to the power supply for power and audio signals.
- Maintain a contiguous ground plane from the ground pins to the PCB area surrounding the device for as many of the ground pins as possible, since the ground pins are the best conductors of heat in the package.
- PCB layout, audio performance and EMI are linked closely together.
- Routing the audio input is kept short and together with the accompanied audio source ground.
- The small bypass capacitors on the PVDD lines is placed as close the PVDD pins as possible.
- A local ground area underneath the device is important to keep solid to minimize ground bounce.
- Orient the passive component so that the narrow end of the passive component is facing the TPA3221 device, unless the area between two pads of a passive component is large enough to allow copper to flow in between the two pads.
- Avoid placing other heat producing components or structures near the TPA3221 device.
- Avoid cutting off the flow of heat from the TPA3221 device to the surrounding ground areas with traces or via strings, especially on output side of device.

## 9.4.2 Layout Examples

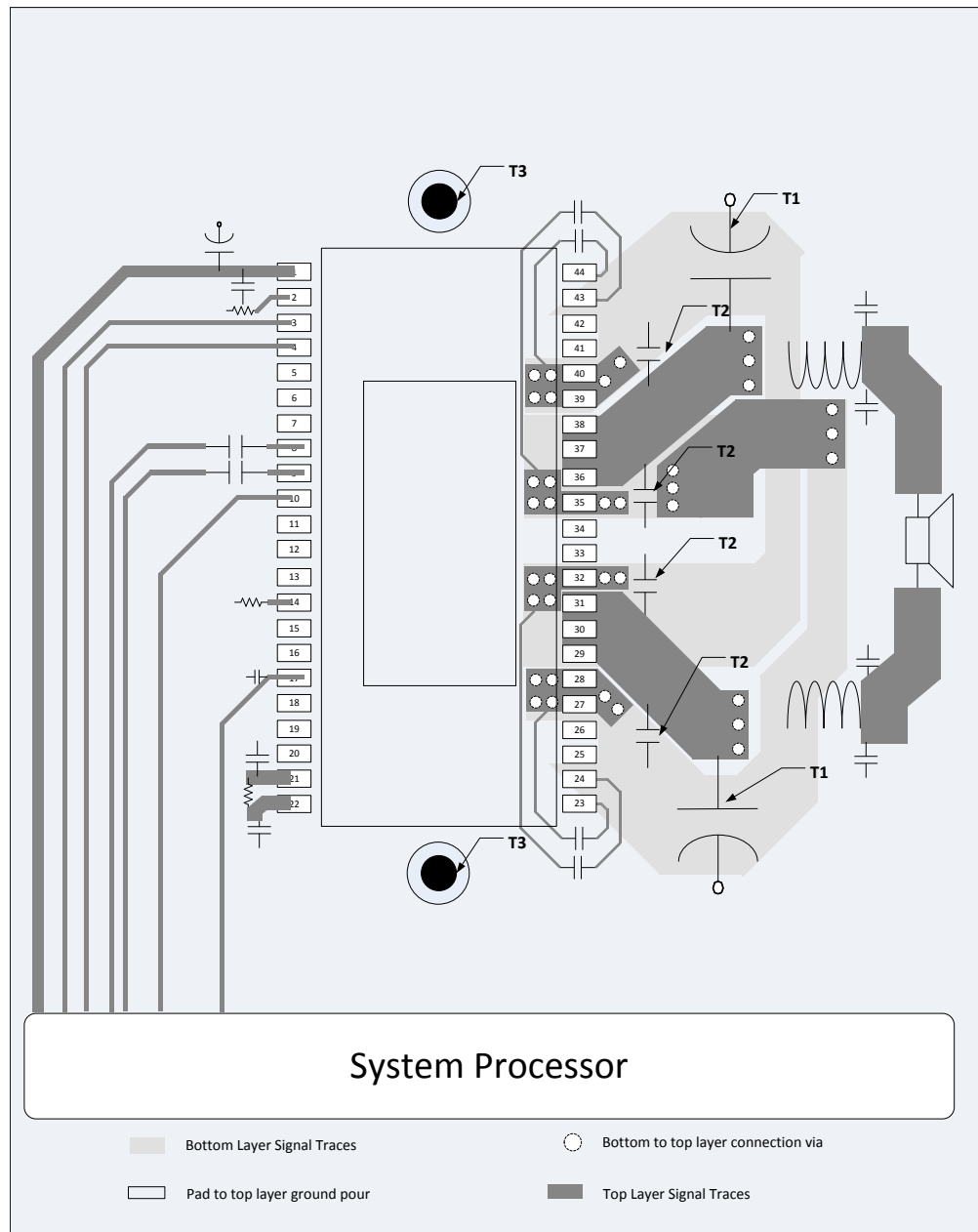
### 9.4.2.1 BTL Application Printed Circuit Board Layout Example



- A. Note: PCB layout example shows composite layout. Dark grey: Top layer copper traces, light grey: Bottom layer copper traces. All PCB area not used for traces are GND copper pour (transparent on example image)
- B. **Note T1:** PVDD decoupling bulk capacitors are as close as possible to the PVDD and GND\_X pins, the heat sink sets the distance. Wide traces are routed on the top layer with direct connection to the pins and without going through vias. No vias or traces are blocking the current path.
- C. **Note T2:** Close decoupling of PVDD with low impedance X7R ceramic capacitors is placed under the heat sink and close to the pins.
- D. **Note T3:** Heat sink needs to have a good connection to PCB ground.

**图 9-4. BTL Application Printed Circuit Board - Composite**

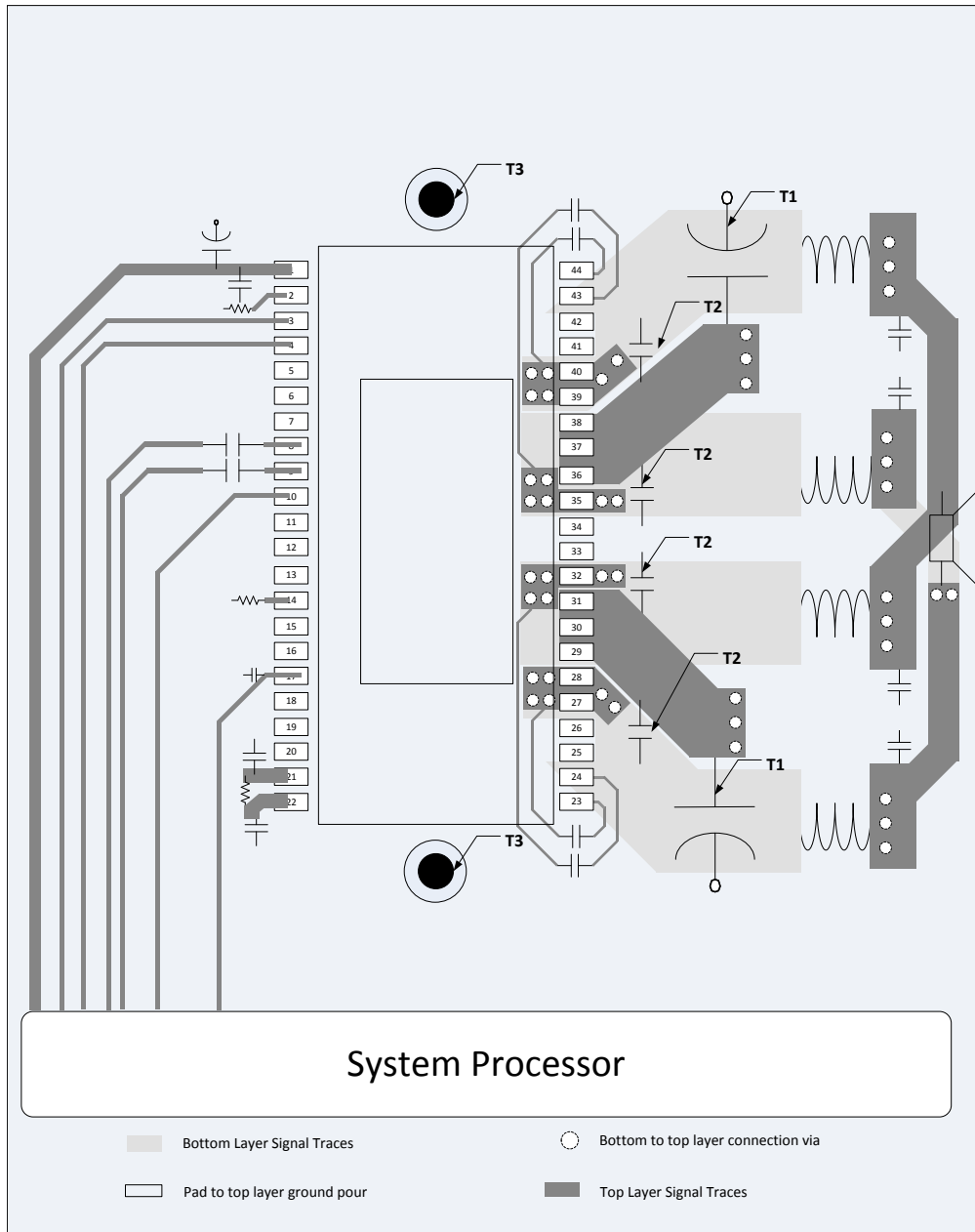
### 9.4.2.2 PBTL (Outputs Paralleled before LC filter) Application Printed Circuit Board Layout Example



- A. Note: PCB layout example shows composite layout. Dark grey: Top layer copper traces, light grey: Bottom layer copper traces. All PCB area not used for traces are GND copper pour (transparent on example image)
- B. **Note T1:** PVDD decoupling bulk capacitors are as close as possible to the PVDD and GND\_X pins, the heat sink sets the distance. Wide traces are routed on the top layer with direct connection to the pins and without going through vias. No vias or traces are blocking the current path.
- C. **Note T2:** Close decoupling of PVDD with low impedance X7R ceramic capacitors is placed under the heat sink and close to the pins.
- D. **Note T3:** Heat sink needs to have a good connection to PCB ground.

**图 9-5. PBTL (Outputs Paralleled before LC filter) Application Printed Circuit Board - Composite**

9.4.2.3 PBTL (Outputs Paralleled after LC filter) Application Printed Circuit Board Layout Example



- A. Note: PCB layout example shows composite layout. Dark grey: Top layer copper traces, light grey: Bottom layer copper traces. All PCB area not used for traces are GND copper pour (transparent on example image)
- B. **Note T1:** PVDD decoupling bulk capacitors are as close as possible to the PVDD and GND\_X pins, the heat sink sets the distance. Wide traces are routed on the top layer with direct connection to the pins and without going through vias. No vias or traces are blocking the current path.
- C. **Note T2:** Close decoupling of PVDD with low impedance X7R ceramic capacitors is placed under the heat sink and close to the pins.
- D. **Note T3:** Heat sink needs to have a good connection to PCB ground.

**图 9-6. PBTL (Outputs Paralleled after LC filter) Application Printed Circuit Board - Composite**



## 10 Device and Documentation Support

### 10.1 Documentation Support

- [TPA3221 & TPA3220 Setup Guide & Configuration Tool](#)
- [Multi-Device Configuration for TPA32xx Amplifiers](#)
- [High Efficiency AD \(HEAD\) Modulation](#)

### 10.2 Receiving Notification of Documentation Updates

To receive notification of documentation updates, navigate to the device product folder on ti.com. In the upper right corner, click on *Alert me* to register and receive a weekly digest of any product information that has changed. For change details, review the revision history included in any revised document

### 10.3 Community Resources

### 10.4 Trademarks

Wi-Fi™ is a trademark of Wi-Fi Alliance.  
所有商标均为其各自所有者的财产。

## 11 Revision History

### Changes from Revision B (January 2018) to Revision C (May 2025) Page

|                               |    |
|-------------------------------|----|
| • 删除了“特性”中的“过压” .....         | 1  |
| • 删除了“说明”中的“过压” .....         | 1  |
| • Removed OVP protection..... | 7  |
| • Removed OVP protection..... | 18 |
| • Removed OVP protection..... | 30 |

### Changes from Revision A (November 2017) to Revision B (January 2018) Page

|  |    |
|--|----|
| • Added pins OSCM, OSCP to the Interface pins in the <i>Absolute Maximum Ratings</i> table.....              | 11 |
| • Changed the T <sub>J</sub> MIN value From: 0°C To - 40°C in the <i>Absolute Maximum Ratings</i> table..... | 11 |
| • Deleted T <sub>J</sub> Junction Temperature from the <i>Recommended Operating Conditions</i> table.....    | 11 |
| • Changed the capacitor on IN1_P, IN2_P and IN1_M, IN2_M From: 10µF To: 1µF in <a href="#">图 9-1</a> .....   | 32 |
| • Changed the capacitor on IN1_P and IN1_M From: 10µF To: 1µF in <a href="#">图 9-2</a> .....                 | 34 |
| • Changed the capacitor on IN1_P and IN1_M From: 10µF To: 1µF in <a href="#">图 9-3</a> .....                 | 35 |

### Changes from Revision \* (September 2017) to Revision A (November 2017) Page

|                       |   |
|-----------------------|---|
| • 将“预告信息”更改为量产数据..... | 1 |
|-----------------------|---|

## 12 Mechanical, Packaging, and Orderable Information

The following pages include mechanical, packaging, and orderable information. This information is the most current data available for the designated devices. This data is subject to change without notice and revision of this document. For browser-based versions of this data sheet, refer to the left-hand navigation.

**PACKAGING INFORMATION**

| Orderable part number       | Status<br>(1) | Material type<br>(2) | Package   Pins    | Package qty   Carrier | RoHS<br>(3) | Lead finish/<br>Ball material<br>(4) | MSL rating/<br>Peak reflow<br>(5) | Op temp (°C) | Part marking<br>(6) |
|-----------------------------|---------------|----------------------|-------------------|-----------------------|-------------|--------------------------------------|-----------------------------------|--------------|---------------------|
| <a href="#">TPA3221DDV</a>  | Active        | Production           | HTSSOP (DDV)   44 | 35   TUBE             | Yes         | NIPDAU                               | Level-3-260C-168 HR               | -40 to 85    | 3221                |
| TPA3221DDV.A                | Active        | Production           | HTSSOP (DDV)   44 | 35   TUBE             | Yes         | NIPDAU                               | Level-3-260C-168 HR               | -40 to 85    | 3221                |
| <a href="#">TPA3221DDVR</a> | Active        | Production           | HTSSOP (DDV)   44 | 2000   LARGE T&R      | Yes         | NIPDAU                               | Level-3-260C-168 HR               | -40 to 85    | 3221                |
| TPA3221DDVR.A               | Active        | Production           | HTSSOP (DDV)   44 | 2000   LARGE T&R      | Yes         | NIPDAU                               | Level-3-260C-168 HR               | -40 to 85    | 3221                |

(1) **Status:** For more details on status, see our [product life cycle](#).

(2) **Material type:** When designated, preproduction parts are prototypes/experimental devices, and are not yet approved or released for full production. Testing and final process, including without limitation quality assurance, reliability performance testing, and/or process qualification, may not yet be complete, and this item is subject to further changes or possible discontinuation. If available for ordering, purchases will be subject to an additional waiver at checkout, and are intended for early internal evaluation purposes only. These items are sold without warranties of any kind.

(3) **RoHS values:** Yes, No, RoHS Exempt. See the [TI RoHS Statement](#) for additional information and value definition.

(4) **Lead finish/Ball material:** Parts may have multiple material finish options. Finish options are separated by a vertical ruled line. Lead finish/Ball material values may wrap to two lines if the finish value exceeds the maximum column width.

(5) **MSL rating/Peak reflow:** The moisture sensitivity level ratings and peak solder (reflow) temperatures. In the event that a part has multiple moisture sensitivity ratings, only the lowest level per JEDEC standards is shown. Refer to the shipping label for the actual reflow temperature that will be used to mount the part to the printed circuit board.

(6) **Part marking:** There may be an additional marking, which relates to the logo, the lot trace code information, or the environmental category of the part.

Multiple part markings will be inside parentheses. Only one part marking contained in parentheses and separated by a "~" will appear on a part. If a line is indented then it is a continuation of the previous line and the two combined represent the entire part marking for that device.

**Important Information and Disclaimer:** The information provided on this page represents TI's knowledge and belief as of the date that it is provided. TI bases its knowledge and belief on information provided by third parties, and makes no representation or warranty as to the accuracy of such information. Efforts are underway to better integrate information from third parties. TI has taken and continues to take reasonable steps to provide representative and accurate information but may not have conducted destructive testing or chemical analysis on incoming materials and chemicals. TI and TI suppliers consider certain information to be proprietary, and thus CAS numbers and other limited information may not be available for release.

In no event shall TI's liability arising out of such information exceed the total purchase price of the TI part(s) at issue in this document sold by TI to Customer on an annual basis.

**TAPE AND REEL INFORMATION**

**QUADRANT ASSIGNMENTS FOR PIN 1 ORIENTATION IN TAPE**


\*All dimensions are nominal

| Device      | Package Type | Package Drawing | Pins | SPQ  | Reel Diameter (mm) | Reel Width W1 (mm) | A0 (mm) | B0 (mm) | K0 (mm) | P1 (mm) | W (mm) | Pin1 Quadrant |
|-------------|--------------|-----------------|------|------|--------------------|--------------------|---------|---------|---------|---------|--------|---------------|
| TPA3221DDVR | HTSSOP       | DDV             | 44   | 2000 | 330.0              | 24.4               | 8.6     | 15.6    | 1.8     | 12.0    | 24.0   | Q1            |

**TAPE AND REEL BOX DIMENSIONS**

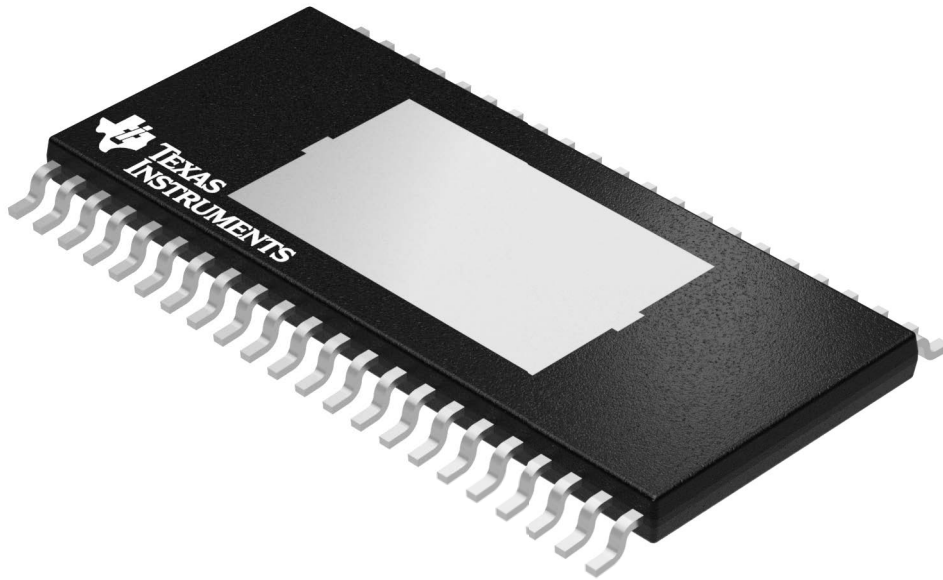

\*All dimensions are nominal

| Device      | Package Type | Package Drawing | Pins | SPQ  | Length (mm) | Width (mm) | Height (mm) |
|-------------|--------------|-----------------|------|------|-------------|------------|-------------|
| TPA3221DDVR | HTSSOP       | DDV             | 44   | 2000 | 350.0       | 350.0      | 43.0        |

**TUBE**

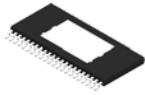

\*All dimensions are nominal

| Device       | Package Name | Package Type | Pins | SPQ | L (mm) | W (mm) | T (μm) | B (mm) |
|--------------|--------------|--------------|------|-----|--------|--------|--------|--------|
| TPA3221DDV   | DDV          | HTSSOP       | 44   | 35  | 530    | 11.89  | 3600   | 4.9    |
| TPA3221DDV.A | DDV          | HTSSOP       | 44   | 35  | 530    | 11.89  | 3600   | 4.9    |



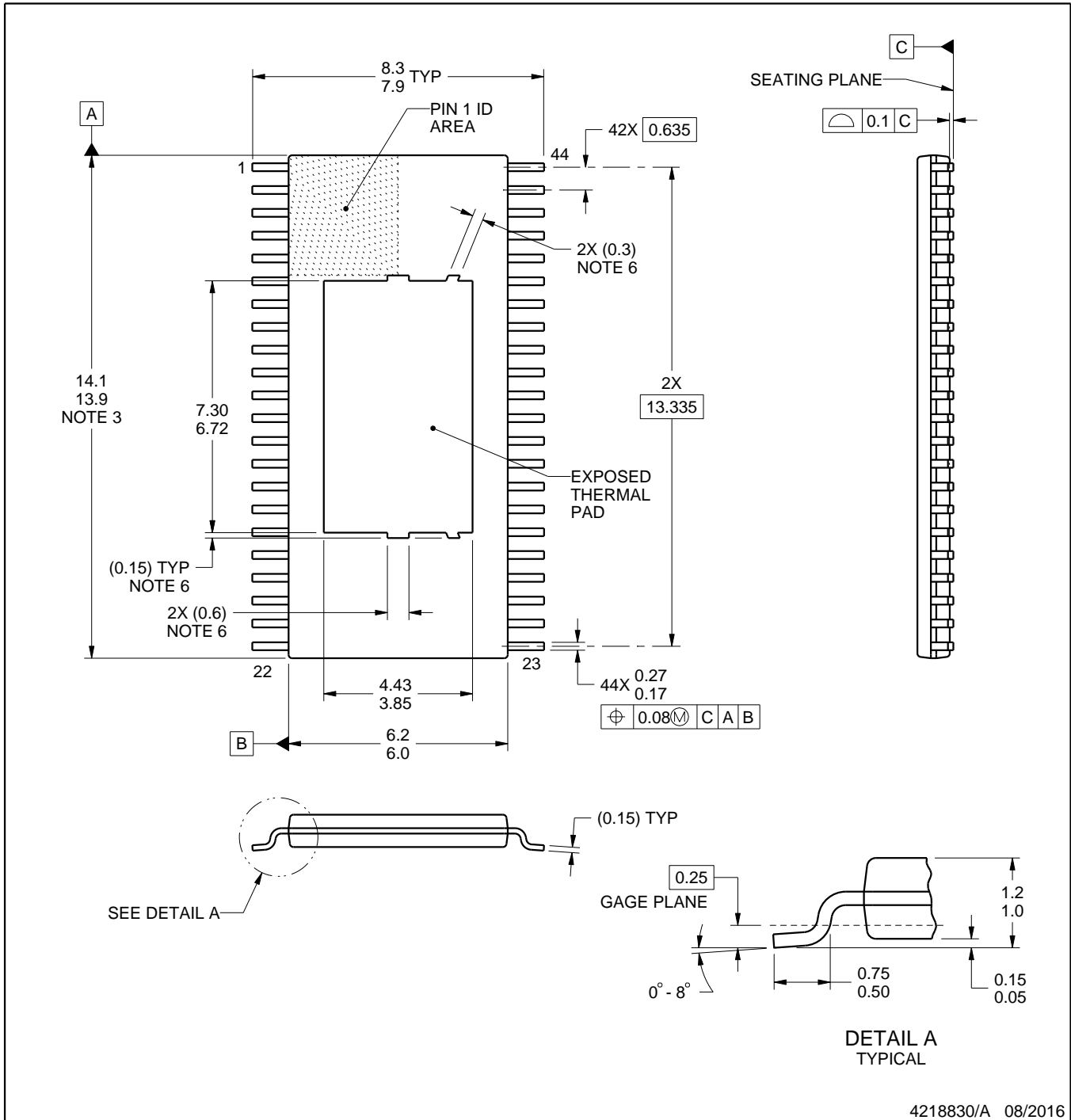
Images above are just a representation of the package family, actual package may vary.  
Refer to the product data sheet for package details.

DDV0044D



**PACKAGE OUTLINE**  
**PowerPAD™ TSSOP - 1.2 mm max height**

PLASTIC SMALL OUTLINE



NOTES:

PowerPAD is a trademark of Texas Instruments.

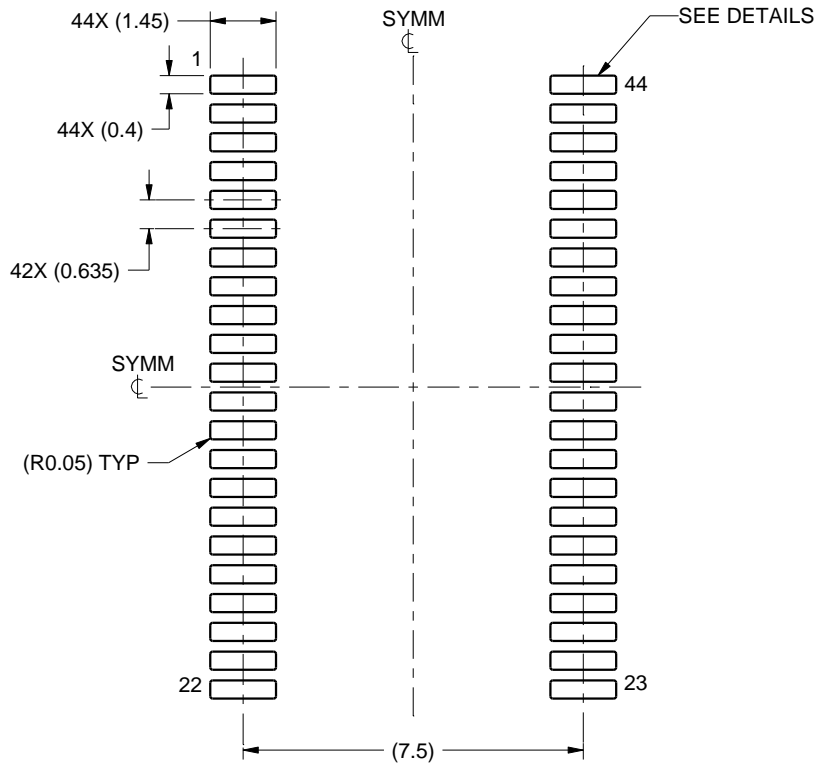
1. All linear dimensions are in millimeters. Any dimensions in parenthesis are for reference only. Dimensioning and tolerancing per ASME Y14.5M.
2. This drawing is subject to change without notice.
3. This dimension does not include mold flash, protrusions, or gate burrs. Mold flash, protrusions, or gate burrs shall not exceed 0.15 mm per side.
4. Reference JEDEC registration MO-153.
5. The exposed thermal pad is designed to be attached to an external heatsink.
6. Features may differ or may not be present.

# EXAMPLE BOARD LAYOUT

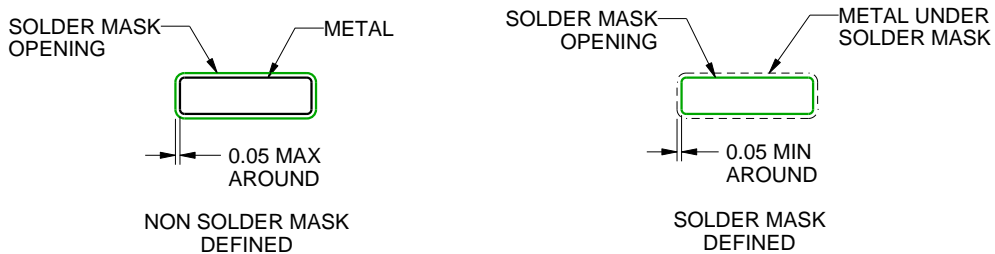
DDV0044D

PowerPAD™ TSSOP - 1.2 mm max height

PLASTIC SMALL OUTLINE



LAND PATTERN EXAMPLE  
SCALE:6X



SOLDER MASK DETAILS  
NOT TO SCALE

4218830/A 08/2016

NOTES: (continued)

- 7. Publication IPC-7351 may have alternate designs.
- 8. Solder mask tolerances between and around signal pads can vary based on board fabrication site.

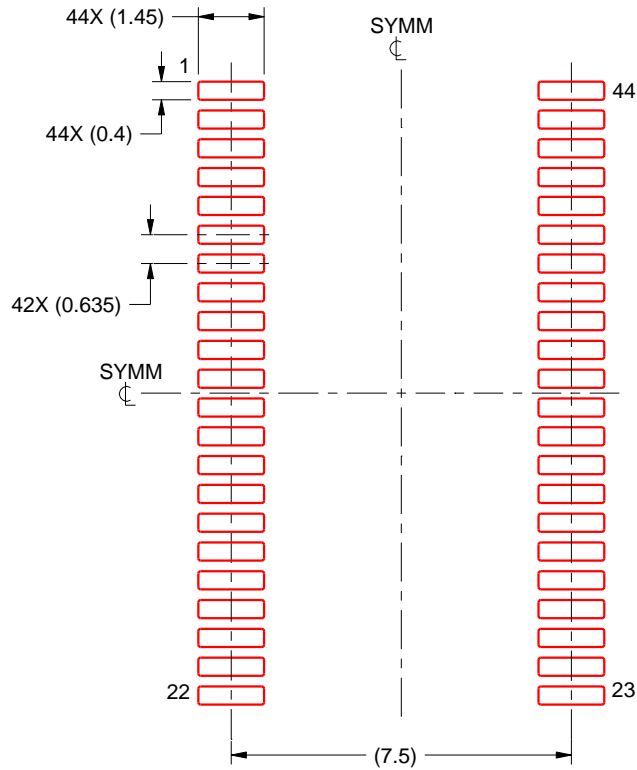


# EXAMPLE STENCIL DESIGN

DDV0044D

PowerPAD™ TSSOP - 1.2 mm max height

PLASTIC SMALL OUTLINE



SOLDER PASTE EXAMPLE  
BASED ON 0.125 MM THICK STENCIL  
SCALE :6X

4218830/A 08/2016

NOTES: (continued)

9. Laser cutting apertures with trapezoidal walls and rounded corners may offer better paste release. IPC-7525 may have alternate design recommendations.
10. Board assembly site may have different recommendations for stencil design.

## 重要通知和免责声明

TI“按原样”提供技术和可靠性数据（包括数据表）、设计资源（包括参考设计）、应用或其他设计建议、网络工具、安全信息和其他资源，不保证没有瑕疵且不做任何明示或暗示的担保，包括但不限于对适销性、与某特定用途的适用性或不侵犯任何第三方知识产权的暗示担保。

这些资源可供使用 TI 产品进行设计的熟练开发人员使用。您将自行承担以下全部责任：(1) 针对您的应用选择合适的 TI 产品，(2) 设计、验证并测试您的应用，(3) 确保您的应用满足相应标准以及任何其他安全、安保法规或其他要求。

这些资源如有变更，恕不另行通知。TI 授权您仅可将这些资源用于研发本资源所述的 TI 产品的相关应用。严禁以其他方式对这些资源进行复制或展示。您无权使用任何其他 TI 知识产权或任何第三方知识产权。对于因您对这些资源的使用而对 TI 及其代表造成的任何索赔、损害、成本、损失和债务，您将全额赔偿，TI 对此概不负责。

TI 提供的产品受 [TI 销售条款](#)、[TI 通用质量指南](#) 或 [ti.com](#) 上其他适用条款或 TI 产品随附的其他适用条款的约束。TI 提供这些资源并不会扩展或以其他方式更改 TI 针对 TI 产品发布的适用的担保或担保免责声明。除非德州仪器 (TI) 明确将某产品指定为定制产品或客户特定产品，否则其产品均为按确定价格收入目录的标准通用器件。

TI 反对并拒绝您可能提出的任何其他或不同的条款。

版权所有 © 2025，德州仪器 (TI) 公司

最后更新日期：2025 年 10 月