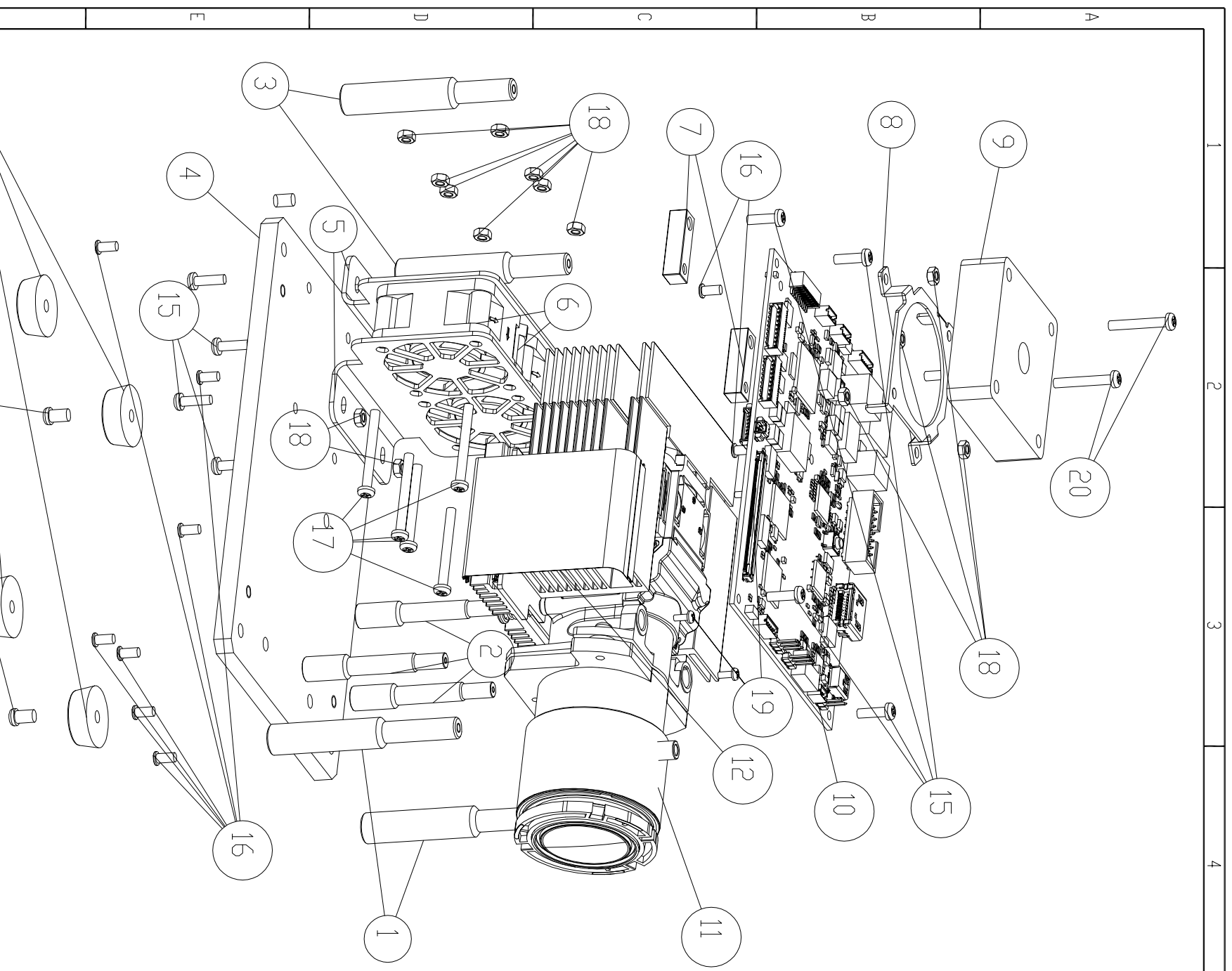


No.	PART .ND	DESCRIPTION	Q
1	61LH939G001	LONG SUPPERT A6061 ANODIZED BLACK 07*64 FLA7G EVM KIT	2
2	61LH940G001	SHORT SUPPERT A6061 ANODIZED BLACK 47.79mm FLA7G EVM KIT	3
3	61LH946G001	LONG SUPPERT 2 A6061 ANODIZED BLACK 58mm FLA7G EVM KIT	2
4	61LH944G001	BASE A6061 ANODIZED BLACK 100*155.5*6 FLA7G EVM KIT	1
5	61LH943G001	FAN BRACKET SECC 58*84*1.5mm FLA7G EVM KIT	2
6	49LH901G001	FAN 4CM	2
7	61LH945G001	BLACK MAIN BOARD 23*5*6mm FLA7G EVM KIT	2
8	61LH941G001	FAN BRACKET SECC 48*48*8mm FLA7G EVM KIT	1
9	49LH902G001	FAN 5CM	1
10	80LH901G001	flash board	1
11	80LH904G001	main board	1
12	00LH905G001	EVM FPC cable	1
13	52LH921G00	RUBBER FOOT D20X7.5MM NF-045 FLA7G EVM KIT	4
14	851A424G060	M4*6	4
15	851A303G100	M3*10	10
16	858A303G060	M3*6	9
17	851A303G280	M3*28	8
18	860A423G024	HEX NUT M3*0.5P H2.4 WHITE ZINC	14
19	851A302G050	SCREW PAN MECH M2*5 BLACK Zn	3
20	851A323200	SCREW PAN MECH M3*20 (BLACK)	2



比例 0.500

Rev.	Initiator	Date	Description	JDC ND	100-300	±0.5	ANGLE	±0.5°
1-6								
6-30						±0.2	1000-2000	±1.2
30-100						±0.3	2000-	±2.0

LIMITS UNLESS OTHERWISE NOTED	DRAWN	Leo.li	160627	NAME:	Young Optics
CHK.	Akila Yang	160627		PART ND.	FLA7G EVM KIT
APPD.	Idin Fan	160627		FINISH	95LH901G003
TITLE	FLA7G EVM KIT				
SCALE	UNIT	MATERIAL			
	mm				

## IMPORTANT NOTICE FOR TI REFERENCE DESIGNS

Texas Instruments Incorporated ("TI") reference designs are solely intended to assist designers ("Designer(s)") who are developing systems that incorporate TI products. TI has not conducted any testing other than that specifically described in the published documentation for a particular reference design.

TI's provision of reference designs and any other technical, applications or design advice, quality characterization, reliability data or other information or services does not expand or otherwise alter TI's applicable published warranties or warranty disclaimers for TI products, and no additional obligations or liabilities arise from TI providing such reference designs or other items.

TI reserves the right to make corrections, enhancements, improvements and other changes to its reference designs and other items.

Designer understands and agrees that Designer remains responsible for using its independent analysis, evaluation and judgment in designing Designer's systems and products, and has full and exclusive responsibility to assure the safety of its products and compliance of its products (and of all TI products used in or for such Designer's products) with all applicable regulations, laws and other applicable requirements. Designer represents that, with respect to its applications, it has all the necessary expertise to create and implement safeguards that (1) anticipate dangerous consequences of failures, (2) monitor failures and their consequences, and (3) lessen the likelihood of failures that might cause harm and take appropriate actions. Designer agrees that prior to using or distributing any systems that include TI products, Designer will thoroughly test such systems and the functionality of such TI products as used in such systems. Designer may not use any TI products in life-critical medical equipment unless authorized officers of the parties have executed a special contract specifically governing such use. Life-critical medical equipment is medical equipment where failure of such equipment would cause serious bodily injury or death (e.g., life support, pacemakers, defibrillators, heart pumps, neurostimulators, and implantables). Such equipment includes, without limitation, all medical devices identified by the U.S. Food and Drug Administration as Class III devices and equivalent classifications outside the U.S.

Designers are authorized to use, copy and modify any individual TI reference design only in connection with the development of end products that include the TI product(s) identified in that reference design. HOWEVER, NO OTHER LICENSE, EXPRESS OR IMPLIED, BY ESTOPPEL OR OTHERWISE TO ANY OTHER TI INTELLECTUAL PROPERTY RIGHT, AND NO LICENSE TO ANY TECHNOLOGY OR INTELLECTUAL PROPERTY RIGHT OF TI OR ANY THIRD PARTY IS GRANTED HEREIN, including but not limited to any patent right, copyright, mask work right, or other intellectual property right relating to any combination, machine, or process in which TI products or services are used. Information published by TI regarding third-party products or services does not constitute a license to use such products or services, or a warranty or endorsement thereof. Use of the reference design or other items described above may require a license from a third party under the patents or other intellectual property of the third party, or a license from TI under the patents or other intellectual property of TI.

TI REFERENCE DESIGNS AND OTHER ITEMS DESCRIBED ABOVE ARE PROVIDED "AS IS" AND WITH ALL FAULTS. TI DISCLAIMS ALL OTHER WARRANTIES OR REPRESENTATIONS, EXPRESS OR IMPLIED, REGARDING THE REFERENCE DESIGNS OR USE OF THE REFERENCE DESIGNS, INCLUDING BUT NOT LIMITED TO ACCURACY OR COMPLETENESS, TITLE, ANY EPIDEMIC FAILURE WARRANTY AND ANY IMPLIED WARRANTIES OF MERCHANTABILITY, FITNESS FOR A PARTICULAR PURPOSE, AND NON-INFRINGEMENT OF ANY THIRD PARTY INTELLECTUAL PROPERTY RIGHTS.

TI SHALL NOT BE LIABLE FOR AND SHALL NOT DEFEND OR INDEMNIFY DESIGNERS AGAINST ANY CLAIM, INCLUDING BUT NOT LIMITED TO ANY INFRINGEMENT CLAIM THAT RELATES TO OR IS BASED ON ANY COMBINATION OF PRODUCTS AS DESCRIBED IN A TI REFERENCE DESIGN OR OTHERWISE. IN NO EVENT SHALL TI BE LIABLE FOR ANY ACTUAL, DIRECT, SPECIAL, COLLATERAL, INDIRECT, PUNITIVE, INCIDENTAL, CONSEQUENTIAL OR EXEMPLARY DAMAGES IN CONNECTION WITH OR ARISING OUT OF THE REFERENCE DESIGNS OR USE OF THE REFERENCE DESIGNS, AND REGARDLESS OF WHETHER TI HAS BEEN ADVISED OF THE POSSIBILITY OF SUCH DAMAGES.

TI's standard terms of sale for semiconductor products (<http://www.ti.com/sc/docs/stdterms.htm>) apply to the sale of packaged integrated circuit products. Additional terms may apply to the use or sale of other types of TI products and services.

Designer will fully indemnify TI and its representatives against any damages, costs, losses, and/or liabilities arising out of Designer's non-compliance with the terms and provisions of this Notice.

Mailing Address: Texas Instruments, Post Office Box 655303, Dallas, Texas 75265  
Copyright © 2016, Texas Instruments Incorporated