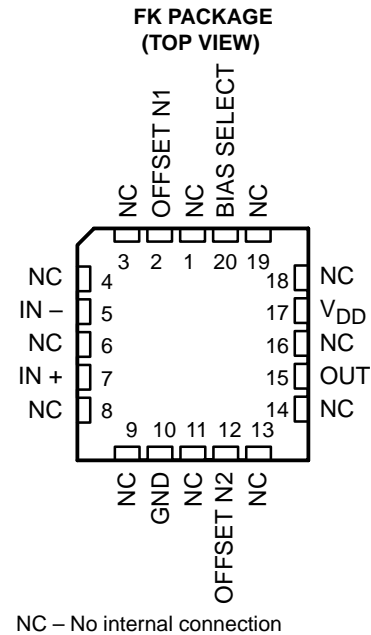
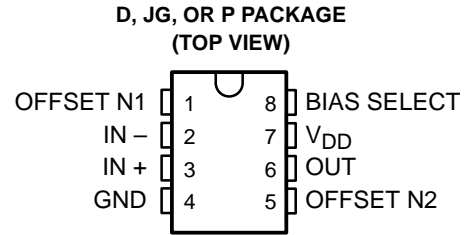


TLC271, TLC271A, TLC271B LinCMOS™ PROGRAMMABLE LOW-POWER OPERATIONAL AMPLIFIERS

SLOS090D – NOVEMBER 1987 – REVISED MARCH 2001

- **Input Offset Voltage Drift . . . Typically 0.1 μ V/Month, Including the First 30 Days**
- **Wide Range of Supply Voltages Over Specified Temperature Range:**
 - 0°C to 70°C . . . 3 V to 16 V
 - 40°C to 85°C . . . 4 V to 16 V
 - 55°C to 125°C . . . 5 V to 16 V
- **Single-Supply Operation**
- **Common-Mode Input Voltage Range Extends Below the Negative Rail (C-Suffix and I-Suffix Types)**
- **Low Noise . . . 25 nV/ $\sqrt{\text{Hz}}$ Typically at f = 1 kHz (High-Bias Mode)**
- **Output Voltage Range Includes Negative Rail**
- **High Input Impedance . . . 10¹² Ω Typ**
- **ESD-Protection Circuitry**
- **Small-Outline Package Option Also Available in Tape and Reel**
- **Designed-In Latch-Up Immunity**



description

The TLC271 operational amplifier combines a wide range of input offset voltage grades with low offset voltage drift and high input impedance. In addition, the TLC271 offers a bias-select mode that allows the user to select the best combination of power dissipation and ac performance for a particular application. These devices use Texas Instruments silicon-gate LinCMOS™ technology, which provides offset voltage stability far exceeding the stability available with conventional metal-gate processes.

AVAILABLE OPTIONS

| T _A | V _{IO} max AT 25°C | PACKAGE | | | |
|----------------|--------------------------------|------------------------------------|----------------------|---------------------|------------------------------------|
| | | SMALL OUTLINE (D) | CHIP CARRIER (FK) | CERAMIC DIP (JG) | PLASTIC DIP (P) |
| 0°C to 70°C | 2 mV 5 mV 10 mV | TLC271BCD TLC271ACD TLC271CD | — | — | TLC271BCP TLC271ACP TLC271CP |
| –40°C to 85°C | 2 mV 5 mV 10 mV | TLC271BID TLC271AID TLC271ID | — | — | TLC271BIP TLC271AIP TLC271IP |
| –55°C to 125°C | 10 mV | TLC271MD | TLC271MFK | TLC271MJG | TLC271MP |

The D package is available taped and reeled. Add R suffix to the device type (e.g., TLC271BCDR).



Please be aware that an important notice concerning availability, standard warranty, and use in critical applications of Texas Instruments semiconductor products and disclaimers thereto appears at the end of this data sheet.

LinCMOS is a trademark of Texas Instruments.

PRODUCTION DATA information is current as of publication date. Products conform to specifications per the terms of Texas Instruments standard warranty. Production processing does not necessarily include testing of all parameters.



POST OFFICE BOX 655303 • DALLAS, TEXAS 75265

Copyright © 2001, Texas Instruments Incorporated

TLC271, TLC271A, TLC271B LinCMOS™ PROGRAMMABLE LOW-POWER OPERATIONAL AMPLIFIERS

SLOS090D – NOVEMBER 1987 – REVISED MARCH 2001

DEVICE FEATURES

| PARAMETER† | BIAS-SELECT MODE | | | UNIT |
|------------|------------------|--------|------|------------------------------|
| | HIGH | MEDIUM | LOW | |
| P_D | 3375 | 525 | 50 | μW |
| SR | 3.6 | 0.4 | 0.03 | $\text{V}/\mu\text{s}$ |
| V_n | 25 | 32 | 68 | $\text{nV}/\sqrt{\text{Hz}}$ |
| B_1 | 1.7 | 0.5 | 0.09 | MHz |
| A_{VD} | 23 | 170 | 480 | V/mV |

† Typical at $V_{DD} = 5\text{ V}$, $T_A = 25^\circ\text{C}$

description (continued)

Using the bias-select option, these cost-effective devices can be programmed to span a wide range of applications that previously required BiFET, NFET, or bipolar technology. Three offset voltage grades are available (C-suffix and I-suffix types), ranging from the low-cost TLC271 (10 mV) to the TLC271B (2 mV) low-offset version. The extremely high input impedance and low bias currents, in conjunction with good common-mode rejection and supply voltage rejection, make these devices a good choice for new state-of-the-art designs as well as for upgrading existing designs.

In general, many features associated with bipolar technology are available in LinCMOS™ operational amplifiers, without the power penalties of bipolar technology. General applications such as transducer interfacing, analog calculations, amplifier blocks, active filters, and signal buffering are all easily designed with the TLC271. The devices also exhibit low-voltage single-supply operation, making them ideally suited for remote and inaccessible battery-powered applications. The common-mode input voltage range includes the negative rail.

A wide range of packaging options is available, including small-outline and chip-carrier versions for high-density system applications.

The device inputs and output are designed to withstand –100-mA surge currents without sustaining latch-up.

The TLC271 incorporates internal ESD-protection circuits that prevent functional failures at voltages up to 2000 V as tested under MIL-STD-883C, Method 3015.2; however, care should be exercised in handling these devices as exposure to ESD may result in the degradation of the device parametric performance.

The C-suffix devices are characterized for operation from 0°C to 70°C . The I-suffix devices are characterized for operation from -40°C to 85°C . The M-suffix devices are characterized for operation over the full military temperature range of -55°C to 125°C .

bias-select feature

The TLC271 offers a bias-select feature that allows the user to select any one of three bias levels depending on the level of performance desired. The tradeoffs between bias levels involve ac performance and power dissipation (see Table 1).

Table 1. Effect of Bias Selection on Performance

| TYPICAL PARAMETER VALUES $T_A = 25^\circ\text{C}$, $V_{DD} = 5\text{ V}$ | | MODE | | | UNIT |
|--|--|--|---|--------------------------------------|------------------------------|
| | | HIGH BIAS $R_L = 10\text{ k}\Omega$ | MEDIUM BIAS $R_L = 100\text{ k}\Omega$ | LOW BIAS $R_L = 1\text{ M}\Omega$ | |
| P_D | Power dissipation | 3.4 | 0.5 | 0.05 | mW |
| SR | Slew rate | 3.6 | 0.4 | 0.03 | $\text{V}/\mu\text{s}$ |
| V_n | Equivalent input noise voltage at $f = 1\text{ kHz}$ | 25 | 32 | 68 | $\text{nV}/\sqrt{\text{Hz}}$ |
| B_1 | Unity-gain bandwidth | 1.7 | 0.5 | 0.09 | MHz |
| ϕ_m | Phase margin | 46° | 40° | 34° | |
| A_{VD} | Large-signal differential voltage amplification | 23 | 170 | 480 | V/mV |



bias selection

Bias selection is achieved by connecting the bias select pin to one of three voltage levels (see Figure 1). For medium-bias applications, it is recommended that the bias select pin be connected to the midpoint between the supply rails. This procedure is simple in split-supply applications, since this point is ground. In single-supply applications, the medium-bias mode necessitates using a voltage divider as indicated in Figure 1. The use of large-value resistors in the voltage divider reduces the current drain of the divider from the supply line. However, large-value resistors used in conjunction with a large-value capacitor require significant time to charge up to the supply midpoint after the supply is switched on. A voltage other than the midpoint can be used if it is within the voltages specified in Figure 1.

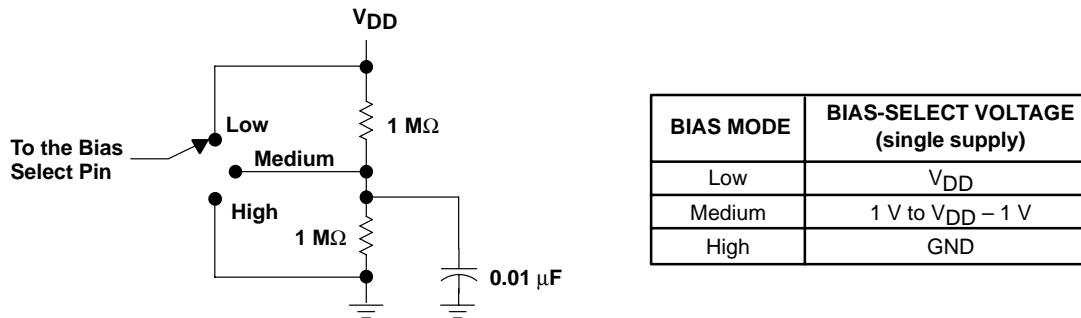


Figure 1. Bias Selection for Single-Supply Applications

high-bias mode

In the high-bias mode, the TLC271 series features low offset voltage drift, high input impedance, and low noise. Speed in this mode approaches that of BiFET devices but at only a fraction of the power dissipation. Unity-gain bandwidth is typically greater than 1 MHz.

medium-bias mode

The TLC271 in the medium-bias mode features low offset voltage drift, high input impedance, and low noise. Speed in this mode is similar to general-purpose bipolar devices but power dissipation is only a fraction of that consumed by bipolar devices.

TLC271, TLC271A, TLC271B

LinCMOS™ PROGRAMMABLE LOW-POWER OPERATIONAL AMPLIFIERS

SLOS090D – NOVEMBER 1987 – REVISED MARCH 2001

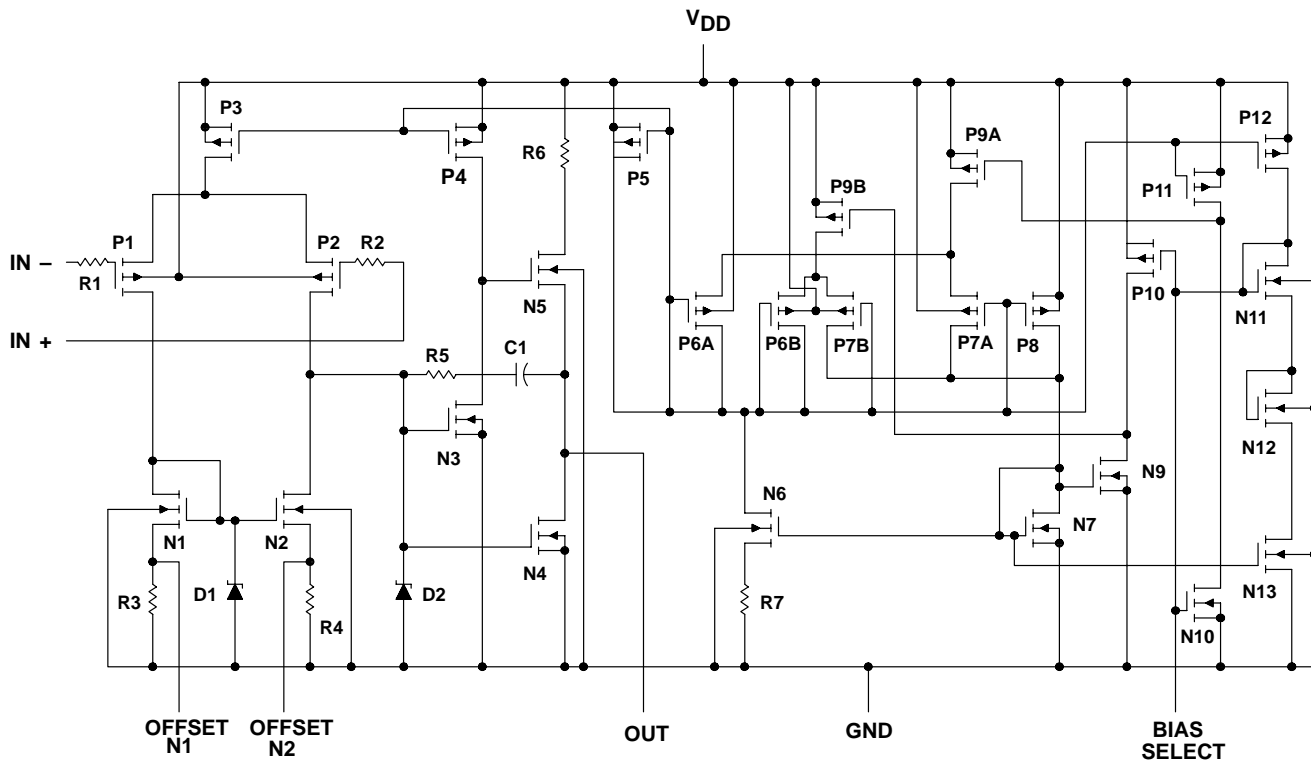
low-bias mode

In the low-bias mode, the TLC271 features low offset voltage drift, high input impedance, extremely low power consumption, and high differential voltage gain.

ORDER OF CONTENTS

| TOPIC | BIAS MODE |
|--|-----------------------------|
| schematic | all |
| absolute maximum ratings | all |
| recommended operating conditions | all |
| electrical characteristics operating characteristics typical characteristics | high (Figures 2 – 33) |
| electrical characteristics operating characteristics typical characteristics | medium (Figures 34 – 65) |
| electrical characteristics operating characteristics typical characteristics | low (Figures 66 – 97) |
| parameter measurement information | all |
| application information | all |

equivalent schematic



absolute maximum ratings over operating free-air temperature (unless otherwise noted)†

| | |
|--|------------------------------|
| Supply voltage, V_{DD} (see Note 1) | 18 V |
| Differential input voltage, V_{ID} (see Note 2) | $\pm V_{DD}$ |
| Input voltage range, V_I (any input) | –0.3 V to V_{DD} |
| Input current, I_I | ± 5 mA |
| Output current, I_O | ± 30 mA |
| Duration of short-circuit current at (or below) 25°C (see Note 3) | Unlimited |
| Continuous total dissipation | See Dissipation Rating Table |
| Operating free-air temperature, T_A : C suffix | 0°C to 70°C |
| I suffix | –40°C to 85°C |
| M suffix | –55°C to 125°C |
| Storage temperature range | –65°C to 150°C |
| Case temperature for 60 seconds: FK package | 260°C |
| Lead temperature 1,6 mm (1/16 inch) from case for 10 seconds: D or P package | 260°C |
| Lead temperature 1,6 mm (1/16 inch) from case for 60 seconds: JG package | 300°C |

† Stresses beyond those listed under “absolute maximum ratings” may cause permanent damage to the device. These are stress ratings only, and functional operation of the device at these or any other conditions beyond those indicated under “recommended operating conditions” is not implied. Exposure to absolute-maximum-rated conditions for extended periods may affect device reliability.

- NOTES:
1. All voltage values, except differential voltages, are with respect to network ground.
 2. Differential voltages are at IN+ with respect to IN–.
 3. The output may be shorted to either supply. Temperature and/or supply voltages must be limited to ensure that the maximum dissipation rating is not exceeded (see application section).

DISSIPATION RATING TABLE

| PACKAGE | $T_A \leq 25^\circ\text{C}$ | DERATING FACTOR ABOVE $T_A = 25^\circ\text{C}$ | $T_A = 70^\circ\text{C}$ | $T_A = 85^\circ\text{C}$ | $T_A = 125^\circ\text{C}$ |
|---------|-----------------------------|---|--------------------------|--------------------------|---------------------------|
| | POWER RATING | | POWER RATING | POWER RATING | POWER RATING |
| D | 725 mW | 5.8 mW/°C | 464 mW | 377 mW | 145 mW |
| FK | 1375 mW | 11.0 mW/°C | 880 mW | 715 mW | 275 mW |
| JG | 1050 mW | 8.4 mW/°C | 672 mW | 546 mW | 210 mW |
| P | 1000 mW | 8.0 mW/°C | 640 mW | 520 mW | 200 mW |

recommended operating conditions

| | | C SUFFIX | | I SUFFIX | | M SUFFIX | | UNIT |
|---------------------------------------|-----------------|----------|-----|----------|-----|----------|-----|------|
| | | MIN | MAX | MIN | MAX | MIN | MAX | |
| Supply voltage, V_{DD} | | 3 | 16 | 4 | 16 | 5 | 16 | V |
| Common-mode input voltage, V_{IC} | $V_{DD} = 5$ V | –0.2 | 3.5 | –0.2 | 3.5 | 0 | 3.5 | V |
| | $V_{DD} = 10$ V | –0.2 | 8.5 | –0.2 | 8.5 | 0 | 8.5 | |
| Operating free-air temperature, T_A | | 0 | 70 | –40 | 85 | –55 | 125 | °C |

TLC271, TLC271A, TLC271B

LinCMOS™ PROGRAMMABLE LOW-POWER OPERATIONAL AMPLIFIERS

SLOS090D – NOVEMBER 1987 – REVISED MARCH 2001

HIGH-BIAS MODE

electrical characteristics at specified free-air temperature (unless otherwise noted)

| PARAMETER | | TEST CONDITIONS | T _A † | TLC271C, TLC271AC, TLC271BC | | | | | | UNIT |
|---------------------|--|---|------------------|-----------------------------|-------------|-------------|------------------------|-------------|------|-------|
| | | | | V _{DD} = 5 V | | | V _{DD} = 10 V | | | |
| | | | | MIN | TYP | MAX | MIN | TYP | MAX | |
| V _{IO} | Input offset voltage | V _O = 1.4 V, V _{IC} = 0 V, R _S = 50 Ω, R _L = 10 kΩ | 25°C | 1.1 | | 10 | 1.1 | | 10 | mV |
| | | | Full range | | | 12 | | | 12 | |
| | | | 25°C | 0.9 | | 5 | 0.9 | | 5 | |
| | | | Full range | | | 6.5 | | | 6.5 | |
| | | | 25°C | 0.34 | | 2 | 0.39 | | 2 | |
| | | | Full range | | | 3 | | | 3 | |
| α _{VIO} | Average temperature coefficient of input offset voltage | | 25°C to 70°C | 1.8 | | 2 | | | | μV/°C |
| I _{IO} | Input offset current (see Note 4) | V _O = V _{DD} /2, V _{IC} = V _{DD} /2 | 25°C | 0.1 | 60 | 0.1 | | 60 | pA | |
| | | | 70°C | 7 | 300 | 7 | | 300 | | |
| I _{IB} | Input bias current (see Note 4) | V _O = V _{DD} /2, V _{IC} = V _{DD} /2 | 25°C | 0.6 | 60 | 0.7 | | 60 | pA | |
| | | | 70°C | 40 | 600 | 50 | | 600 | | |
| V _{ICR} | Common-mode input voltage range (see Note 5) | | 25°C | -0.2 to 4 | -0.3 to 4.2 | -0.2 to 9 | | -0.3 to 9.2 | V | |
| | | | Full range | -0.2 to 3.5 | | -0.2 to 8.5 | | V | | |
| V _{OH} | High-level output voltage | V _{ID} = 100 mV, R _L = 10 kΩ | 25°C | 3.2 | 3.8 | 8 | | 8.5 | V | |
| | | | 0°C | 3 | 3.8 | 7.8 | | 8.5 | | |
| | | | 70°C | 3 | 3.8 | 7.8 | | 8.4 | | |
| V _{OL} | Low-level output voltage | V _{ID} = -100 mV, I _{OL} = 0 | 25°C | 0 | | 50 | 0 | | 50 | mV |
| | | | 0°C | 0 | | 50 | 0 | | 50 | |
| | | | 70°C | 0 | | 50 | 0 | | 50 | |
| A _{VD} | Large-signal differential voltage amplification | R _L = 10 kΩ, See Note 6 | 25°C | 5 | 23 | 10 | | 36 | V/mV | |
| | | | 0°C | 4 | 27 | 7.5 | | 42 | | |
| | | | 70°C | 4 | 20 | 7.5 | | 32 | | |
| CMRR | Common-mode rejection ratio | V _{IC} = V _{ICRmin} | 25°C | 65 | 80 | 65 | | 85 | dB | |
| | | | 0°C | 60 | 84 | 60 | | 88 | | |
| | | | 70°C | 60 | 85 | 60 | | 88 | | |
| k _{SVR} | Supply-voltage rejection ratio (ΔV _{DD} /ΔV _{IO}) | V _{DD} = 5 V to 10 V V _O = 1.4 V | 25°C | 65 | 95 | 65 | | 95 | dB | |
| | | | 0°C | 60 | 94 | 60 | | 94 | | |
| | | | 70°C | 60 | 96 | 60 | | 96 | | |
| I _{I(SEL)} | Input current (BIAS SELECT) | V _{I(SEL)} = 0 | 25°C | -1.4 | | -1.9 | | μA | | |
| I _{DD} | Supply current | V _O = V _{DD} /2, V _{IC} = V _{DD} /2, No load | 25°C | 675 | 1600 | 950 | | 2000 | μA | |
| | | | 0°C | 775 | 1800 | 1125 | | 2200 | | |
| | | | 70°C | 575 | 1300 | 750 | | 1700 | | |

† Full range is 0°C to 70°C.

NOTES: 4. The typical values of input bias current and input offset current below 5 pA were determined mathematically.

5. This range also applies to each input individually.

6. At V_{DD} = 5 V, V_O = 0.25 V to 2 V; at V_{DD} = 10 V, V_O = 1 V to 6 V.



HIGH-BIAS MODE

electrical characteristics at specified free-air temperature (unless otherwise noted)

| PARAMETER | | TEST CONDITIONS | T _A † | TLC271I, TLC271AI, TLC271BI | | | | | | UNIT |
|---------------------|--|---|------------------|-----------------------------|-------------|-------------|------------------------|-----|-----|-------|
| | | | | V _{DD} = 5 V | | | V _{DD} = 10 V | | | |
| | | | | MIN | TYP | MAX | MIN | TYP | MAX | |
| V _{IO} | Input offset voltage | V _O = 1.4 V, V _{IC} = 0 V, R _S = 50 Ω, R _L = 10 kΩ | 25°C | 1.1 | | 10 | 1.1 | | 10 | mV |
| | | | Full range | | | 13 | | | 13 | |
| | | | 25°C | 0.9 | | 5 | 0.9 | | 5 | |
| | | | Full range | | | 7 | | | 7 | |
| | | | 25°C | 0.34 | | 2 | 0.39 | | 2 | |
| | | | Full range | | | 3.5 | | | 3.5 | |
| α _{VIO} | Average temperature coefficient of input offset voltage | | 25°C to 85°C | 1.8 | | 2 | | | | μV/°C |
| I _{IO} | Input offset current (see Note 4) | V _O = V _{DD} /2, V _{IC} = V _{DD} /2 | 25°C | 0.1 | 60 | 0.1 | 60 | | | pA |
| | | | 85°C | 24 | 1000 | 26 | 1000 | | | |
| I _{IB} | Input bias current (see Note 4) | V _O = V _{DD} /2, V _{IC} = V _{DD} /2 | 25°C | 0.6 | 60 | 0.7 | 60 | | | pA |
| | | | 85°C | 200 | 2000 | 220 | 2000 | | | |
| V _{ICR} | Common-mode input voltage range (see Note 5) | | 25°C | -0.2 to 4 | -0.3 to 4.2 | -0.2 to 9 | -0.3 to 9.2 | | | V |
| | | | Full range | -0.2 to 3.5 | | -0.2 to 8.5 | | | | V |
| V _{OH} | High-level output voltage | V _{ID} = 100 mV, R _L = 10 kΩ | 25°C | 3.2 | 3.8 | 8 | 8.5 | | | V |
| | | | -40°C | 3 | 3.8 | 7.8 | 8.5 | | | |
| | | | 85°C | 3 | 3.8 | 7.8 | 8.5 | | | |
| V _{OL} | Low-level output voltage | V _{ID} = -100 mV, I _{OL} = 0 | 25°C | 0 | | 50 | 0 | | 50 | mV |
| | | | -40°C | 0 | | 50 | 0 | | 50 | |
| | | | 85°C | 0 | | 50 | 0 | | 50 | |
| A _{VD} | Large-signal differential voltage amplification | R _L = 10 kΩ, See Note 6 | 25°C | 5 | 23 | 10 | 36 | | | V/mV |
| | | | -40°C | 3.5 | 32 | 7 | 46 | | | |
| | | | 85°C | 3.5 | 19 | 7 | 31 | | | |
| CMRR | Common-mode rejection ratio | V _{IC} = V _{ICRmin} | 25°C | 65 | 80 | 65 | 85 | | | dB |
| | | | -40°C | 60 | 81 | 60 | 87 | | | |
| | | | 85°C | 60 | 86 | 60 | 88 | | | |
| k _{SVR} | Supply-voltage rejection ratio (ΔV _{DD} /ΔV _{IO}) | V _{DD} = 5 V to 10 V V _O = 1.4 V | 25°C | 65 | 95 | 65 | 95 | | | dB |
| | | | -40°C | 60 | 92 | 60 | 92 | | | |
| | | | 85°C | 60 | 96 | 60 | 96 | | | |
| I _{I(SEL)} | Input current (BIAS SELECT) | V _{I(SEL)} = 0 | 25°C | -1.4 | | -1.9 | | | | μA |
| I _{DD} | Supply current | V _O = V _{DD} /2, V _{IC} = V _{DD} /2, No load | 25°C | 675 | 1600 | 950 | 2000 | | | μA |
| | | | -40°C | 950 | 2200 | 1375 | 2500 | | | |
| | | | 85°C | 525 | 1200 | 725 | 1600 | | | |

† Full range is -40°C to 85°C.

- NOTES:
4. The typical values of input bias current and input offset current below 5 pA were determined mathematically.
 5. This range also applies to each input individually.
 6. At V_{DD} = 5 V, V_O = 0.25 V to 2 V; at V_{DD} = 10 V, V_O = 1 V to 6 V.

TLC271, TLC271A, TLC271B
LinCMOS™ PROGRAMMABLE LOW-POWER
OPERATIONAL AMPLIFIERS

SLOS090D – NOVEMBER 1987 – REVISED MARCH 2001

HIGH-BIAS MODE

electrical characteristics at specified free-air temperature (unless otherwise noted)

| PARAMETER | TEST CONDITIONS | T _A † | TLC271M | | | | | | UNIT |
|---|---|------------------|-----------------------|-------------|------|------------------------|-------------|------|-------|
| | | | V _{DD} = 5 V | | | V _{DD} = 10 V | | | |
| | | | MIN | TYP | MAX | MIN | TYP | MAX | |
| V _{IO} Input offset voltage | V _O = 1.4 V, V _{IC} = 0 V, R _S = 50 Ω, R _L = 10 kΩ | 25°C | | 1.1 | 10 | | 1.1 | 10 | mV |
| | | Full range | | | | 12 | | 12 | |
| α _{VIO} Average temperature coefficient of input offset voltage | | 25°C to 125°C | | 2.1 | | | 2.2 | | μV/°C |
| I _{IO} Input offset current (see Note 4) | V _O = V _{DD} /2, V _{IC} = V _{DD} /2 | 25°C | | 0.1 | 60 | | 0.1 | 60 | pA |
| | | 125°C | | 1.4 | 15 | | 1.8 | 15 | nA |
| I _{IB} Input bias current (see Note 4) | V _O = V _{DD} /2, V _{IC} = V _{DD} /2 | 25°C | | 0.6 | 60 | | 0.7 | 60 | pA |
| | | 125°C | | 9 | 35 | | 10 | 35 | nA |
| V _{ICR} Common-mode input voltage range (see Note 5) | | 25°C | 0 to 4 | -0.3 to 4.2 | | 0 to 9 | -0.3 to 9.2 | | V |
| | | Full range | 0 to 3.5 | | | 0 to 8.5 | | | V |
| V _{OH} High-level output voltage | V _{ID} = 100 mV, R _L = 10 kΩ | 25°C | 3.2 | 3.8 | | 8 | 8.5 | | V |
| | | -55°C | 3 | 3.8 | | 7.8 | 8.5 | | |
| | | 125°C | 3 | 3.8 | | 7.8 | 8.4 | | |
| V _{OL} Low-level output voltage | V _{ID} = -100 mV, I _{OL} = 0 | 25°C | | 0 | 50 | | 0 | 50 | mV |
| | | -55°C | | 0 | 50 | | 0 | 50 | |
| | | 125°C | | 0 | 50 | | 0 | 50 | |
| A _{VD} Large-signal differential voltage amplification | R _L = 10 kΩ, See Note 6 | 25°C | 5 | 23 | | 10 | 36 | | V/mV |
| | | -55°C | 3.5 | 35 | | 7 | 50 | | |
| | | 125°C | 3.5 | 16 | | 7 | 27 | | |
| CMRR Common-mode rejection ratio | V _{IC} = V _{ICRmin} | 25°C | 65 | 80 | | 65 | 85 | | dB |
| | | -55°C | 60 | 81 | | 60 | 87 | | |
| | | 125°C | 60 | 84 | | 60 | 86 | | |
| k _{SVR} Supply-voltage rejection ratio (ΔV _{DD} /ΔV _{IO}) | V _{DD} = 5 V to 10 V V _O = 1.4 V | 25°C | 65 | 95 | | 65 | 95 | | dB |
| | | -55°C | 60 | 90 | | 60 | 90 | | |
| | | 125°C | 60 | 97 | | 60 | 97 | | |
| I _{I(SEL)} Input current (BIAS SELECT) | V _{I(SEL)} = 0 | 25°C | | -1.4 | | | -1.9 | | μA |
| I _{DD} Supply current | V _O = V _{DD} /2, V _{IC} = V _{DD} /2, No load | 25°C | | 675 | 1600 | | 950 | 2000 | μA |
| | | -55°C | | 1000 | 2500 | | 1475 | 3000 | |
| | | 125°C | | 475 | 1100 | | 625 | 1400 | |

† Full range is -55°C to 125°C.

NOTES: 4. The typical values of input bias current and input offset current below 5 pA were determined mathematically.

5. This range also applies to each input individually.

6. At V_{DD} = 5 V, V_O = 0.25 V to 2 V; at V_{DD} = 10 V, V_O = 1 V to 6 V.



HIGH-BIAS MODE

operating characteristics at specified free-air temperature, $V_{DD} = 5\text{ V}$

| PARAMETER | TEST CONDITIONS | T_A | TLC271C, TLC271AC, TLC271BC | | | UNIT |
|---|--|--------------------------------|-----------------------------|-----|------------------------|------------|
| | | | MIN | TYP | MAX | |
| SR Slew rate at unity gain | $R_L = 10\text{ k}\Omega$, $C_L = 20\text{ pF}$, See Figure 98 | $V_{I(PP)} = 1\text{ V}$ | 25°C | 3.6 | | V/ μ s |
| | | | 0°C | 4 | | |
| | | | 70°C | 3 | | |
| | | $V_{I(PP)} = 2.5\text{ V}$ | 25°C | 2.9 | | |
| | | | 0°C | 3.1 | | |
| | | | 70°C | 2.5 | | |
| V_n Equivalent input noise voltage | $f = 1\text{ kHz}$, See Figure 99 | $R_S = 20\ \Omega$, 25°C | 25 | | nV/ $\sqrt{\text{Hz}}$ | |
| B_{OM} Maximum output-swing bandwidth | $V_O = V_{OH}$, $R_L = 10\text{ k}\Omega$, $C_L = 20\text{ pF}$, See Figure 98 | 25°C | 320 | | kHz | |
| | | 0°C | 340 | | | |
| | | 70°C | 260 | | | |
| B_1 Unity-gain bandwidth | $V_I = 10\text{ mV}$, See Figure 100 | $C_L = 20\text{ pF}$, 25°C | 1.7 | | MHz | |
| | | | 0°C | | | 2 |
| | | | 70°C | | | 1.3 |
| ϕ_m Phase margin | $V_I = 10\text{ mV}$, $C_L = 20\text{ pF}$, | $f = B_1$, See Figure 100 | 25°C | | 46° | |
| | | | 0°C | | 47° | |
| | | | 70°C | | 44° | |

operating characteristics at specified free-air temperature, $V_{DD} = 10\text{ V}$

| PARAMETER | TEST CONDITIONS | T_A | TLC271C, TLC271AC, TLC271BC | | | UNIT |
|---|--|--|-----------------------------|-----|------------------------|------------|
| | | | MIN | TYP | MAX | |
| SR Slew rate at unity gain | $R_L = 10\text{ k}\Omega$, $C_L = 20\text{ pF}$, See Figure 98 | $V_{I(PP)} = 1\text{ V}$ | 25°C | 5.3 | | V/ μ s |
| | | | 0°C | 5.9 | | |
| | | | 70°C | 4.3 | | |
| | | $V_{I(PP)} = 5.5\text{ V}$ | 25°C | 4.6 | | |
| | | | 0°C | 5.1 | | |
| | | | 70°C | 3.8 | | |
| V_n Equivalent input noise voltage | $f = 1\text{ kHz}$, See Figure 99 | $R_S = 20\ \Omega$, 25°C | 25 | | nV/ $\sqrt{\text{Hz}}$ | |
| B_{OM} Maximum output-swing bandwidth | $V_O = V_{OH}$, $R_L = 10\text{ k}\Omega$, $C_L = 20\text{ pF}$, See Figure 98 | 25°C | 200 | | kHz | |
| | | 0°C | 220 | | | |
| | | 70°C | 140 | | | |
| B_1 Unity-gain bandwidth | $V_I = 10\text{ mV}$, See Figure 100 | $C_L = 20\text{ pF}$, 25°C | 2.2 | | MHz | |
| | | | 0°C | | | 2.5 |
| | | | 70°C | | | 1.8 |
| ϕ_m Phase margin | $f = B_1$, $C_L = 20\text{ pF}$, | $V_I = 10\text{ mV}$, See Figure 100 | 25°C | | 49° | |
| | | | 0°C | | 50° | |
| | | | 70°C | | 46° | |

TLC271, TLC271A, TLC271B
LinCMOS™ PROGRAMMABLE LOW-POWER
OPERATIONAL AMPLIFIERS

SLOS090D – NOVEMBER 1987 – REVISED MARCH 2001

HIGH-BIAS MODE

operating characteristics at specified free-air temperature, $V_{DD} = 5\text{ V}$

| PARAMETER | TEST CONDITIONS | T_A | TLC271I, TLC271AI, TLC271BI | | | UNIT |
|---|--|--------------------------------|-----------------------------|-----|------------------------|------------|
| | | | MIN | TYP | MAX | |
| SR Slew rate at unity gain | $R_L = 10\text{ k}\Omega$, $C_L = 20\text{ pF}$, See Figure 98 | $V_{I(PP)} = 1\text{ V}$ | 25°C | 3.6 | | V/ μ s |
| | | | -40°C | 4.5 | | |
| | | | 85°C | 2.8 | | |
| | | $V_{I(PP)} = 2.5\text{ V}$ | 25°C | 2.9 | | |
| | | | -40°C | 3.5 | | |
| | | | 85°C | 2.3 | | |
| V_n Equivalent input noise voltage | $f = 1\text{ kHz}$, See Figure 99 | $R_S = 20\ \Omega$, 25°C | 25 | | nV/ $\sqrt{\text{Hz}}$ | |
| B_{OM} Maximum output-swing bandwidth | $V_O = V_{OH}$, $R_L = 10\text{ k}\Omega$, $C_L = 20\text{ pF}$, See Figure 98 | 25°C | 320 | | kHz | |
| | | -40°C | 380 | | | |
| | | 85°C | 250 | | | |
| B_1 Unity-gain bandwidth | $V_I = 10\text{ mV}$, See Figure 100 | $C_L = 20\text{ pF}$, 25°C | 1.7 | | MHz | |
| | | | -40°C | 2.6 | | |
| | | | 85°C | 1.2 | | |
| ϕ_m Phase margin | $V_I = 10\text{ mV}$, $C_L = 20\text{ pF}$, $f = B_1$, See Figure 100 | 25°C | 46° | | | |
| | | -40°C | 49° | | | |
| | | 85°C | 43° | | | |

operating characteristics at specified free-air temperature, $V_{DD} = 10\text{ V}$

| PARAMETER | TEST CONDITIONS | T_A | TLC271I, TLC271AI, TLC271BI | | | UNIT |
|---|--|--------------------------------|-----------------------------|-----|------------------------|------------|
| | | | MIN | TYP | MAX | |
| SR Slew rate at unity gain | $R_L = 10\text{ k}\Omega$, $C_L = 20\text{ pF}$, See Figure 98 | $V_{I(PP)} = 1\text{ V}$ | 25°C | 5.3 | | V/ μ s |
| | | | -40°C | 6.8 | | |
| | | | 85°C | 4 | | |
| | | $V_{I(PP)} = 5.5\text{ V}$ | 25°C | 4.6 | | |
| | | | -40°C | 5.8 | | |
| | | | 85°C | 3.5 | | |
| V_n Equivalent input noise voltage | $f = 1\text{ kHz}$, See Figure 99 | $R_S = 20\ \Omega$, 25°C | 25 | | nV/ $\sqrt{\text{Hz}}$ | |
| B_{OM} Maximum output-swing bandwidth | $V_O = V_{OH}$, $R_L = 10\text{ k}\Omega$, $C_L = 20\text{ pF}$, See Figure 98 | 25°C | 200 | | kHz | |
| | | -40°C | 260 | | | |
| | | 85°C | 130 | | | |
| B_1 Unity-gain bandwidth | $V_I = 10\text{ mV}$, See Figure 100 | $C_L = 20\text{ pF}$, 25°C | 2.2 | | MHz | |
| | | | -40°C | 3.1 | | |
| | | | 85°C | 1.7 | | |
| ϕ_m Phase margin | $V_I = 10\text{ mV}$, $C_L = 20\text{ pF}$, $f = B_1$, See Figure 100 | 25°C | 49° | | | |
| | | -40°C | 52° | | | |
| | | 85°C | 46° | | | |



HIGH-BIAS MODE

operating characteristics at specified free-air temperature, $V_{DD} = 5\text{ V}$

| PARAMETER | TEST CONDITIONS | T_A | TLC271M | | | UNIT |
|---|--|---|---------|-----|-----|------------------------|
| | | | MIN | TYP | MAX | |
| SR Slew rate at unity gain | $R_L = 10\text{ k}\Omega$, $C_L = 20\text{ pF}$, See Figure 98 | $V_{I(PP)} = 1\text{ V}$ | 25°C | 3.6 | | V/ μ s |
| | | | -55°C | 4.7 | | |
| | | | 125°C | 2.3 | | |
| | | $V_{I(PP)} = 2.5\text{ V}$ | 25°C | 2.9 | | |
| | | | -55°C | 3.7 | | |
| | | | 125°C | 2 | | |
| V_n Equivalent input noise voltage | $f = 1\text{ kHz}$, See Figure 99 | $R_S = 20\ \Omega$ | 25°C | 25 | | nV/ $\sqrt{\text{Hz}}$ |
| B_{OM} Maximum output-swing bandwidth | $V_O = V_{OH}$, $R_L = 10\text{ k}\Omega$ | $C_L = 20\text{ pF}$, See Figure 98 | 25°C | 320 | | kHz |
| | | | -55°C | 400 | | |
| | | | 125°C | 230 | | |
| B_1 Unity-gain bandwidth | $V_I = 10\text{ mV}$, See Figure 100 | $C_L = 20\text{ pF}$ | 25°C | 1.7 | | MHz |
| | | | -55°C | 2.9 | | |
| | | | 125°C | 1.1 | | |
| ϕ_m Phase margin | $V_I = 10\text{ mV}$, $C_L = 20\text{ pF}$ | $f = B_1$, See Figure 100 | 25°C | 46° | | |
| | | | -55°C | 49° | | |
| | | | 125°C | 41° | | |

operating characteristics at specified free-air temperature, $V_{DD} = 10\text{ V}$

| PARAMETER | TEST CONDITIONS | T_A | TLC271M | | | UNIT |
|---|--|--|---------|-----|-----|------------------------|
| | | | MIN | TYP | MAX | |
| SR Slew rate at unity gain | $R_L = 10\text{ k}\Omega$, $C_L = 20\text{ pF}$, See Figure 98 | $V_{I(PP)} = 1\text{ V}$ | 25°C | 5.3 | | V/ μ s |
| | | | -55°C | 7.1 | | |
| | | | 125°C | 3.1 | | |
| | | $V_{I(PP)} = 5.5\text{ V}$ | 25°C | 4.6 | | |
| | | | -55°C | 6.1 | | |
| | | | 125°C | 2.7 | | |
| V_n Equivalent input noise voltage | $f = 1\text{ kHz}$, See Figure 99 | $R_S = 20\ \Omega$ | 25°C | 25 | | nV/ $\sqrt{\text{Hz}}$ |
| B_{OM} Maximum output-swing bandwidth | $V_O = V_{OH}$, $R_L = 10\text{ k}\Omega$ | $C_L = 20\text{ pF}$, See Figure 98 | 25°C | 200 | | kHz |
| | | | -55°C | 280 | | |
| | | | 125°C | 110 | | |
| B_1 Unity-gain bandwidth | $V_I = 10\text{ mV}$, See Figure 100 | $C_L = 20\text{ pF}$ | 25°C | 2.2 | | MHz |
| | | | -55°C | 3.4 | | |
| | | | 125°C | 1.6 | | |
| ϕ_m Phase margin | $f = B_1$, $C_L = 20\text{ pF}$ | $V_I = 10\text{ mV}$, See Figure 100 | 25°C | 49° | | |
| | | | -55°C | 52° | | |
| | | | 125°C | 44° | | |

TLC271, TLC271A, TLC271B
LinCMOS™ PROGRAMMABLE LOW-POWER
OPERATIONAL AMPLIFIERS

SLOS090D – NOVEMBER 1987 – REVISED MARCH 2001

TYPICAL CHARACTERISTICS (HIGH-BIAS MODE)

Table of Graphs

| | | FIGURE | |
|----------------|---|-------------------------------|--------|
| V_{IO} | Input offset voltage | Distribution | 2, 3 |
| α_{VIO} | Temperature coefficient | Distribution | 4, 5 |
| V_{OH} | High-level output voltage | vs High-level output current | 6, 7 |
| | | vs Supply voltage | 8 |
| | | vs Free-air temperature | 9 |
| V_{OL} | Low-level output voltage | vs Common-mode input voltage | 10, 11 |
| | | vs Differential input voltage | 12 |
| | | vs Free-air temperature | 13 |
| | | vs Low-level output current | 14, 15 |
| A_{VD} | Large-signal differential voltage amplification | vs Supply voltage | 16 |
| | | vs Free-air temperature | 17 |
| | | vs Frequency | 28, 29 |
| I_{IB} | Input bias current | vs Free-air temperature | 18 |
| I_{IO} | Input offset current | vs Free-air temperature | 18 |
| V_{IC} | Common-mode input voltage | vs Supply voltage | 19 |
| I_{DD} | Supply current | vs Supply voltage | 20 |
| | | vs Free-air temperature | 21 |
| SR | Slew rate | vs Supply voltage | 22 |
| | | vs Free-air temperature | 23 |
| | Bias-select current | vs Supply voltage | 24 |
| $V_{O(PP)}$ | Maximum peak-to-peak output voltage | vs Frequency | 25 |
| B_1 | Unity-gain bandwidth | vs Free-air temperature | 26 |
| | | vs Supply voltage | 27 |
| A_{VD} | Large-signal differential voltage amplification | vs Frequency | 28, 29 |
| ϕ_m | Phase margin | vs Supply voltage | 30 |
| | | vs Free-air temperature | 31 |
| | | vs Capacitive load | 32 |
| V_n | Equivalent input noise voltage | vs Frequency | 33 |
| | | Phase shift | 28, 29 |



TYPICAL CHARACTERISTICS (HIGH-BIAS MODE)†

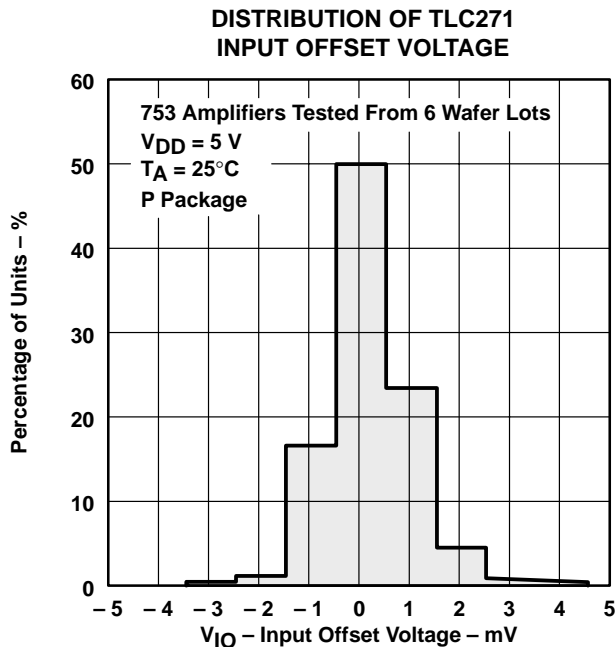


Figure 2

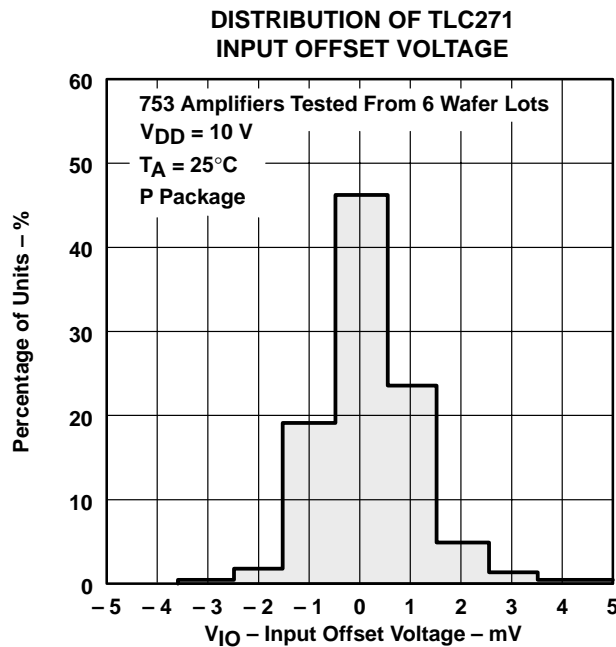


Figure 3

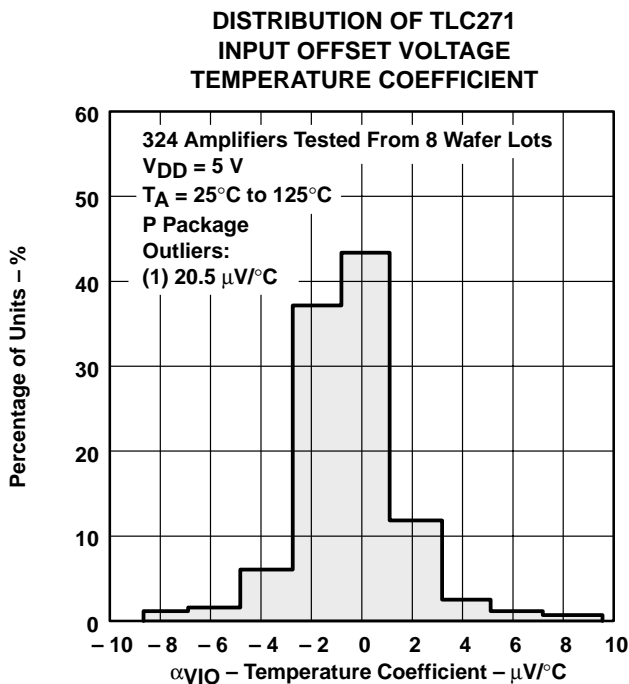


Figure 4

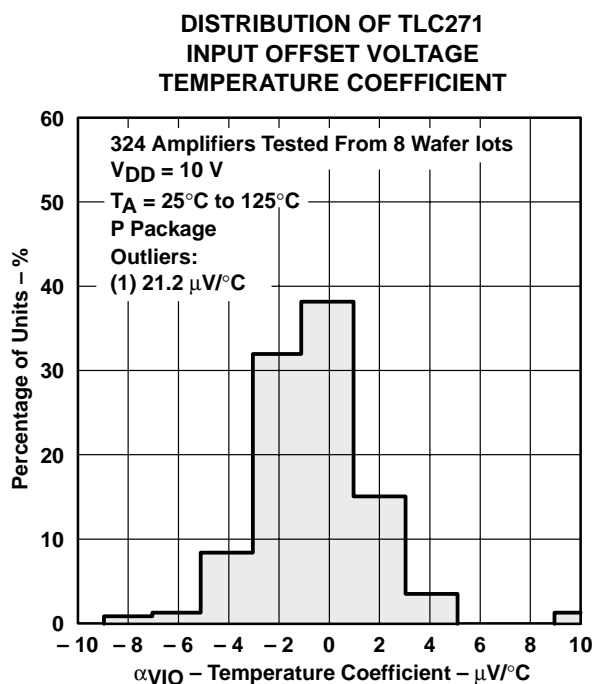


Figure 5

† Data at high and low temperatures are applicable only within the rated operating free-air temperature ranges of the various devices.

TYPICAL CHARACTERISTICS (HIGH-BIAS MODE)†

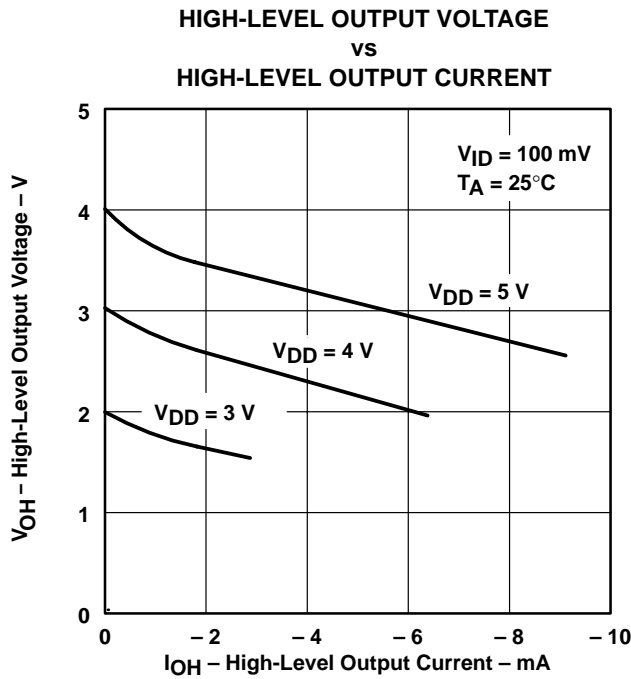


Figure 6

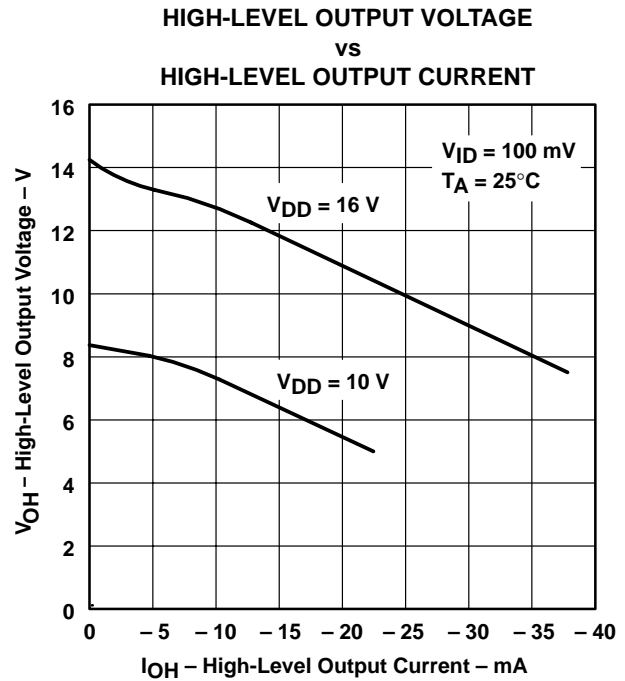


Figure 7

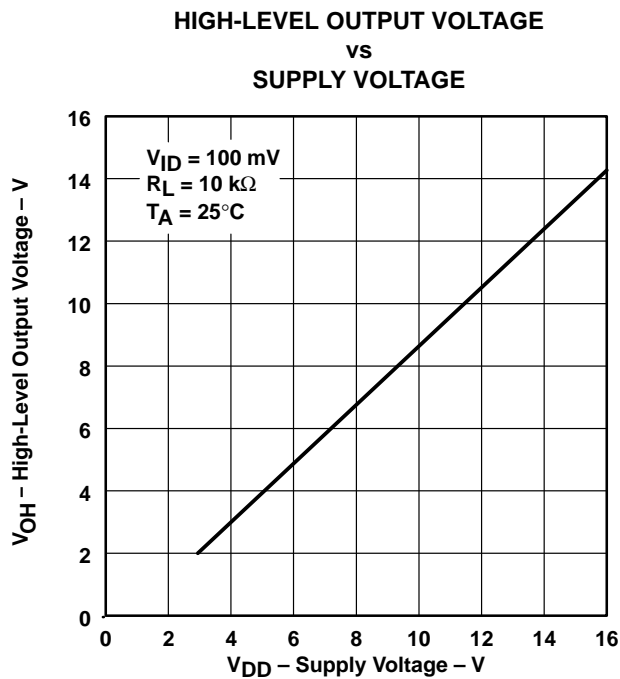


Figure 8

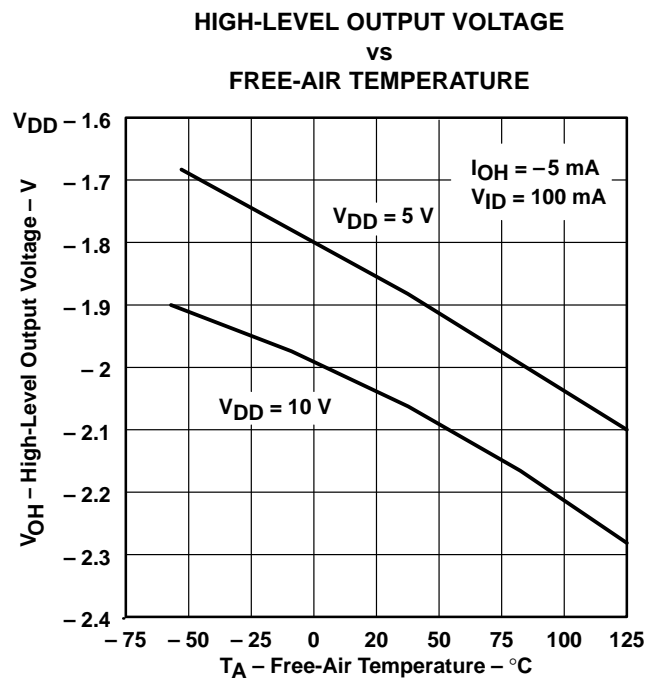


Figure 9

† Data at high and low temperatures are applicable only within the rated operating free-air temperature ranges of the various devices.

TYPICAL CHARACTERISTICS (HIGH-BIAS MODE)†

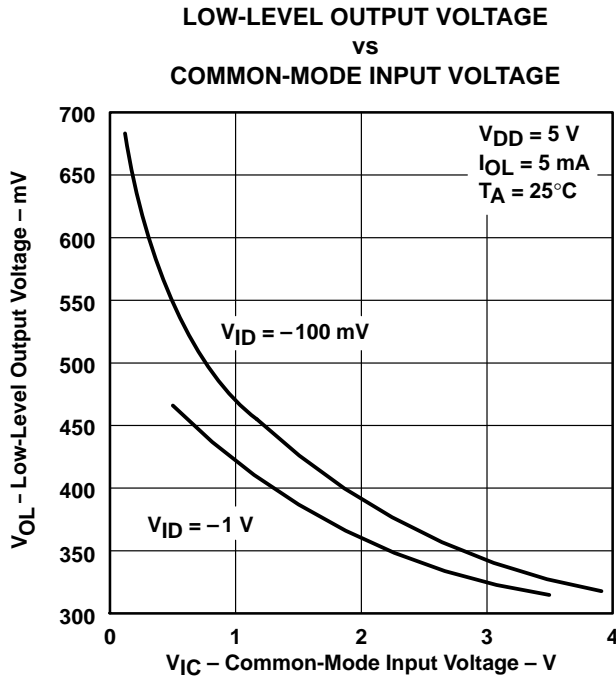


Figure 10

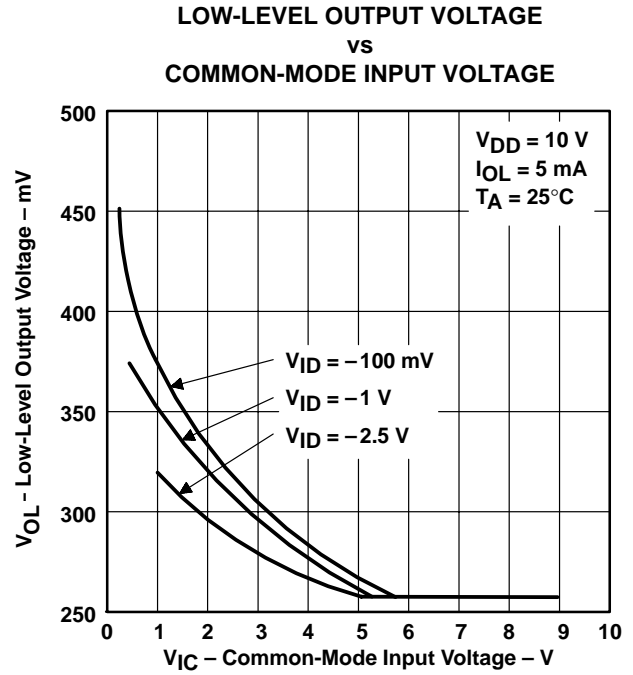


Figure 11

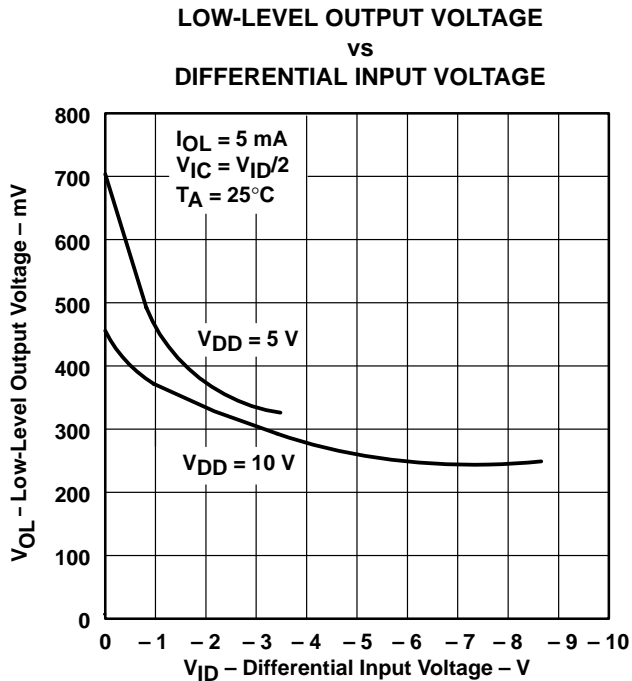


Figure 12

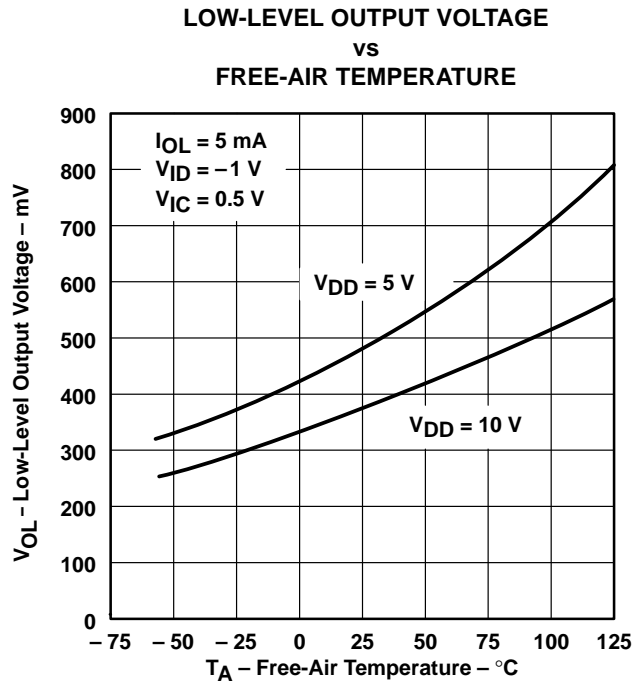


Figure 13

† Data at high and low temperatures are applicable only within the rated operating free-air temperature ranges of the various devices.

TYPICAL CHARACTERISTICS (HIGH-BIAS MODE)†

**LOW-LEVEL OUTPUT VOLTAGE
 vs
 LOW-LEVEL OUTPUT CURRENT**

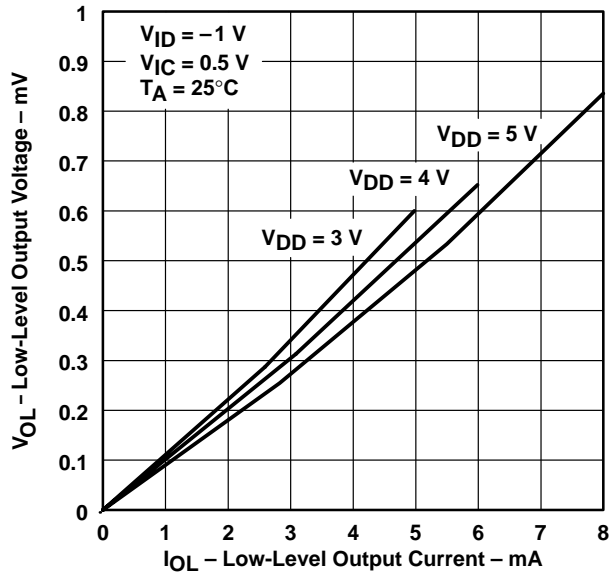


Figure 14

**LOW-LEVEL OUTPUT VOLTAGE
 vs
 LOW-LEVEL OUTPUT CURRENT**

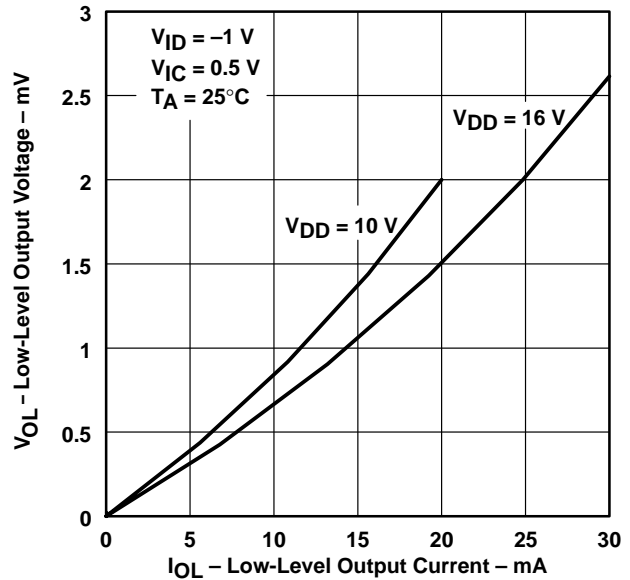


Figure 15

**LARGE-SIGNAL
 DIFFERENTIAL VOLTAGE AMPLIFICATION
 vs
 SUPPLY VOLTAGE**

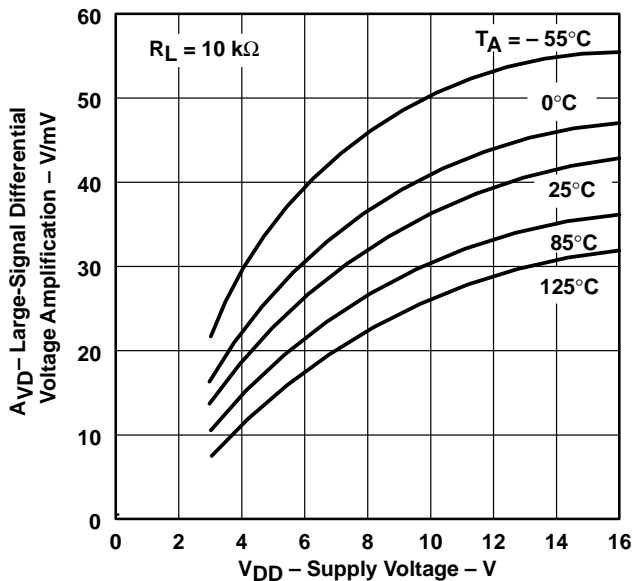


Figure 16

**LARGE-SIGNAL
 DIFFERENTIAL VOLTAGE AMPLIFICATION
 vs
 FREE-AIR TEMPERATURE**

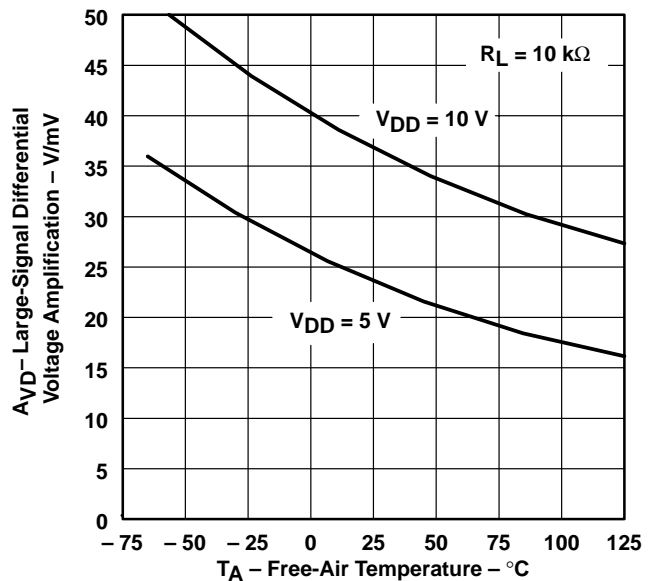
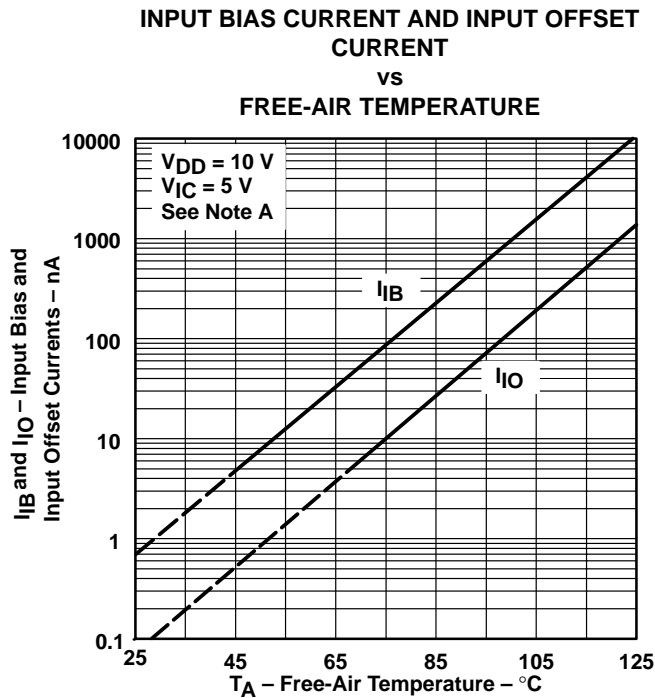


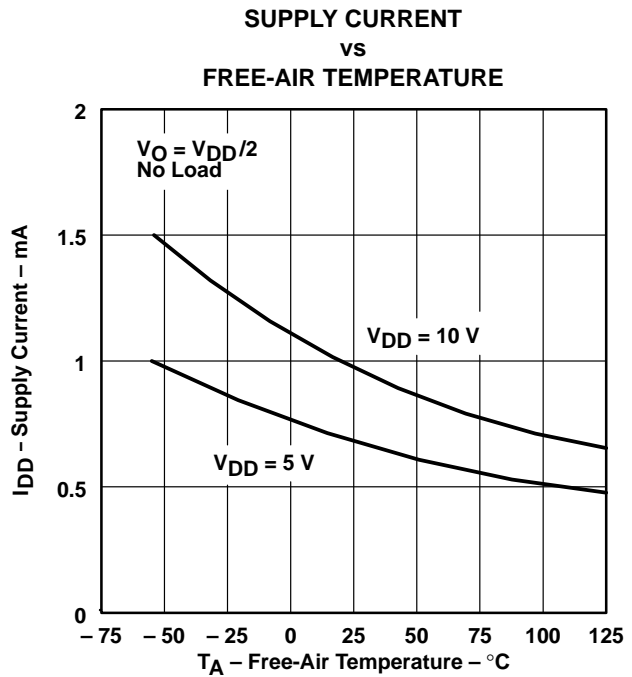
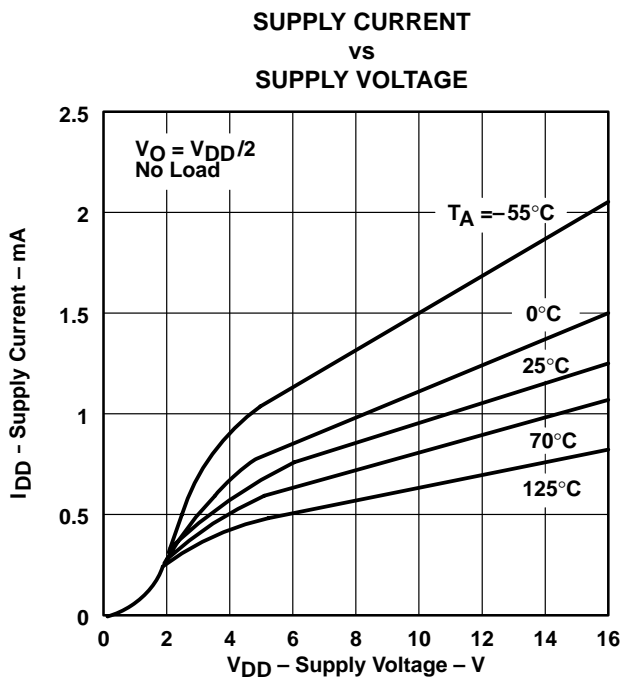
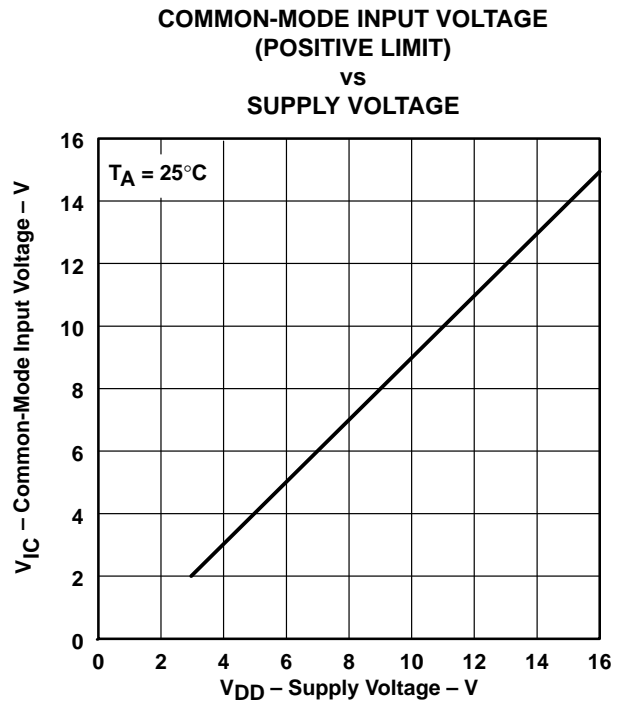
Figure 17

† Data at high and low temperatures are applicable only within the rated operating free-air temperature ranges of the various devices.

TYPICAL CHARACTERISTICS (HIGH-BIAS MODE)†



NOTE A: The typical values of input bias current and input offset current below 5 pA were determined mathematically.



† Data at high and low temperatures are applicable only within the rated operating free-air temperature ranges of the various devices.

TYPICAL CHARACTERISTICS (HIGH-BIAS MODE)†

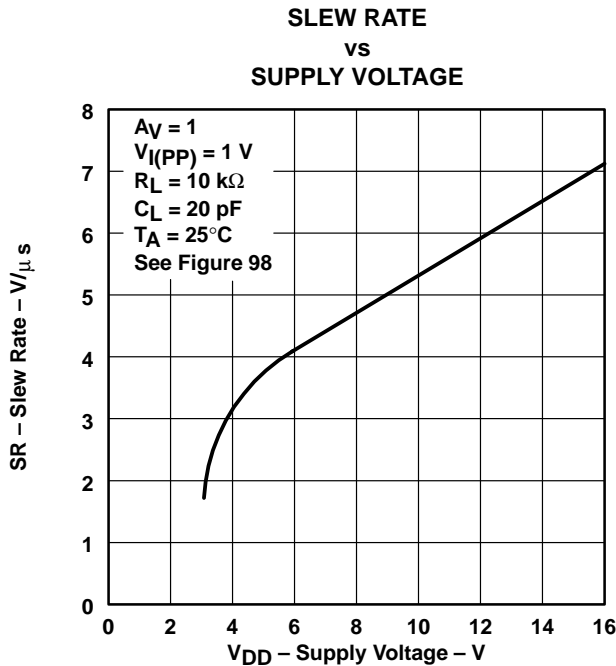


Figure 22

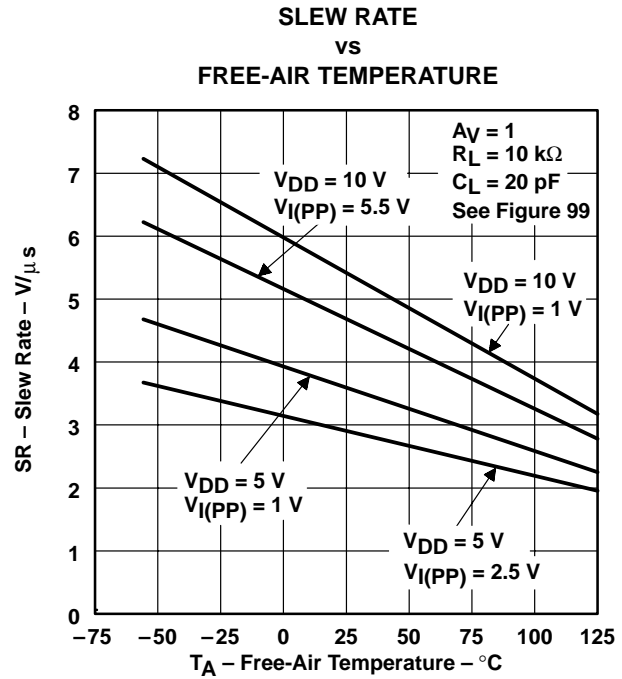


Figure 23

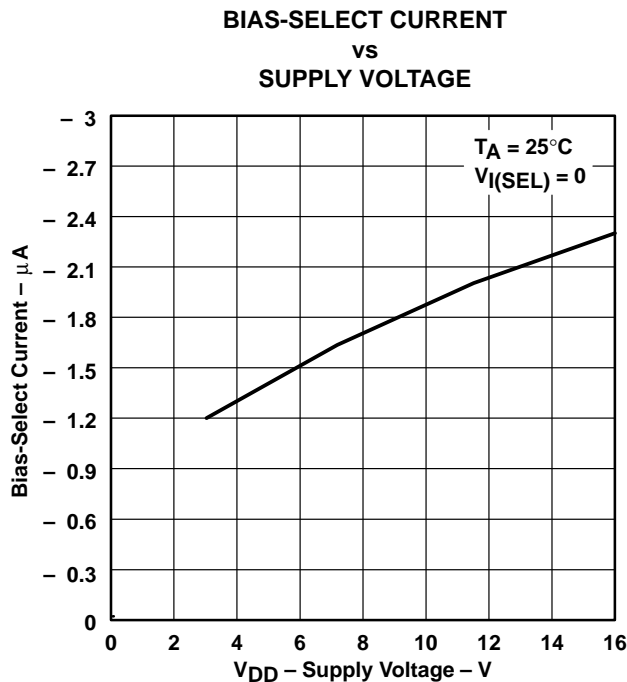


Figure 24

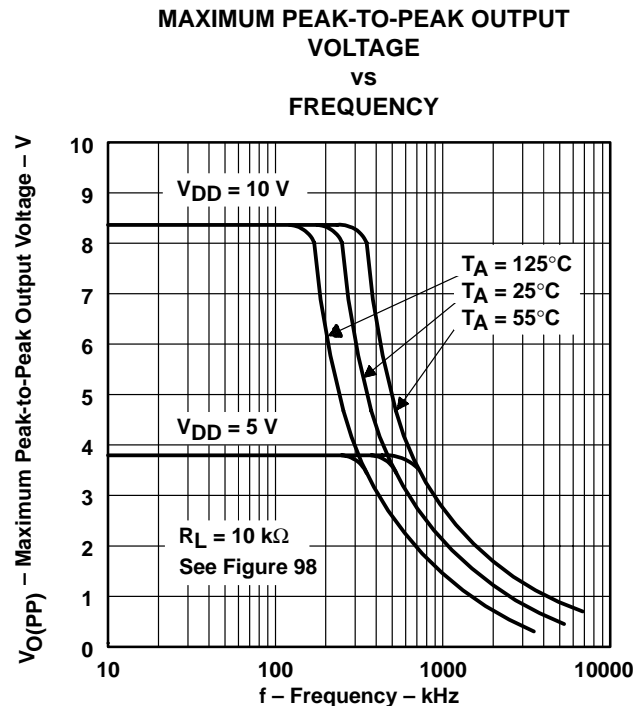


Figure 25

† Data at high and low temperatures are applicable only within the rated operating free-air temperature ranges of the various devices.

TYPICAL CHARACTERISTICS (HIGH-BIAS MODE)†

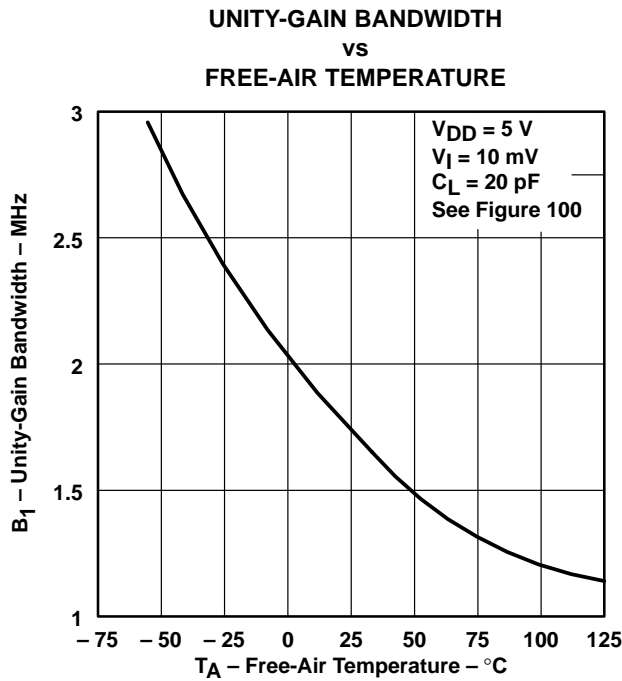


Figure 26

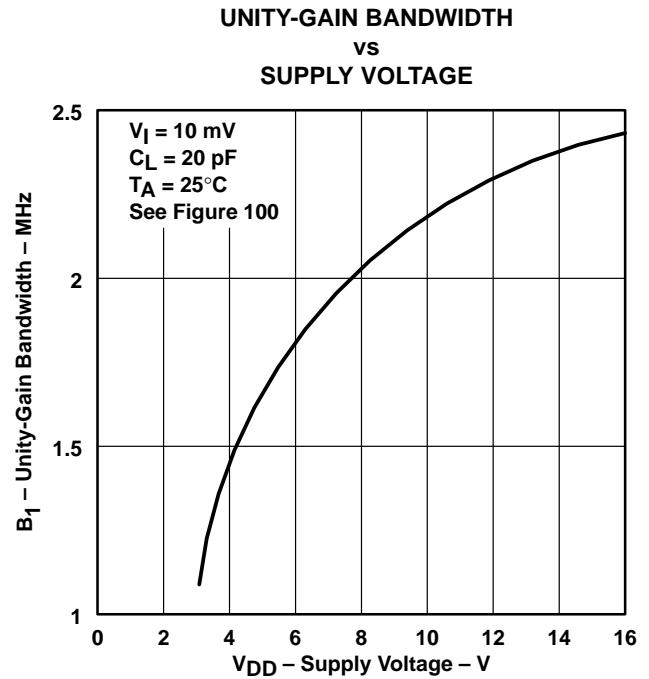


Figure 27

**LARGE-SIGNAL DIFFERENTIAL VOLTAGE
 AMPLIFICATION AND PHASE SHIFT
 vs
 FREQUENCY**

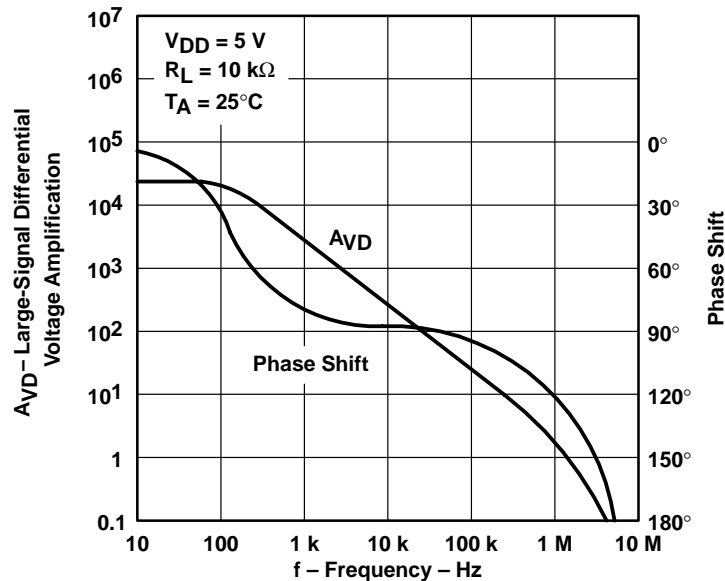


Figure 28

† Data at high and low temperatures are applicable only within the rated operating free-air temperature ranges of the various devices.

TYPICAL CHARACTERISTICS (HIGH-BIAS MODE)†

LARGE-SCALE DIFFERENTIAL VOLTAGE
 AMPLIFICATION AND PHASE SHIFT

vs
 FREQUENCY

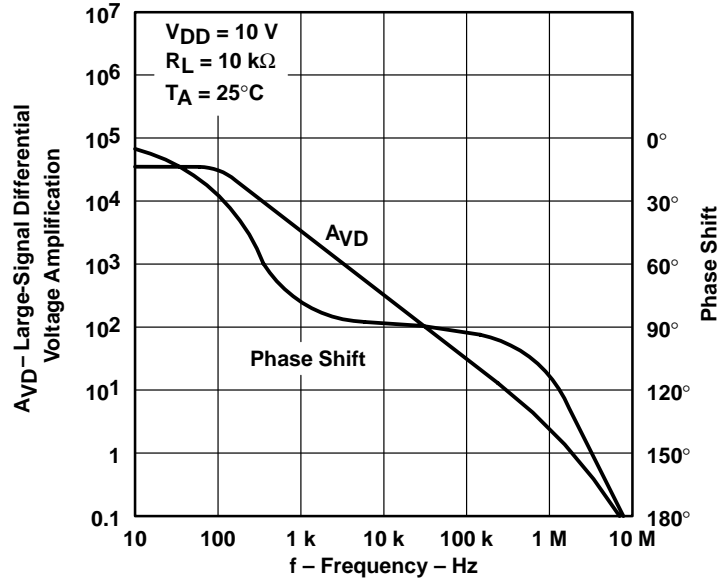


Figure 29

PHASE MARGIN
 vs
 SUPPLY VOLTAGE

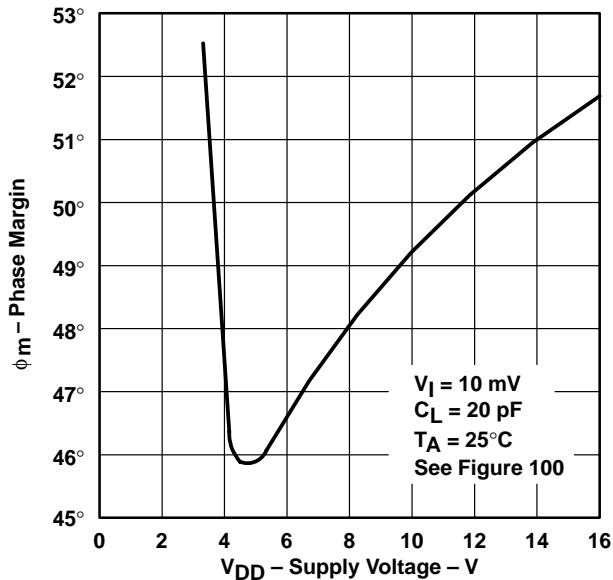


Figure 30

PHASE MARGIN
 vs
 FREE-AIR TEMPERATURE

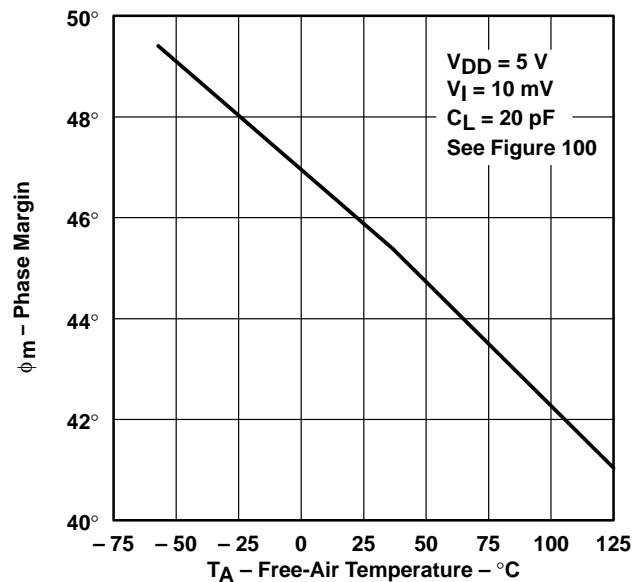


Figure 31

† Data at high and low temperatures are applicable only within the rated operating free-air temperature ranges of the various devices.

TYPICAL CHARACTERISTICS (HIGH-BIAS MODE)†

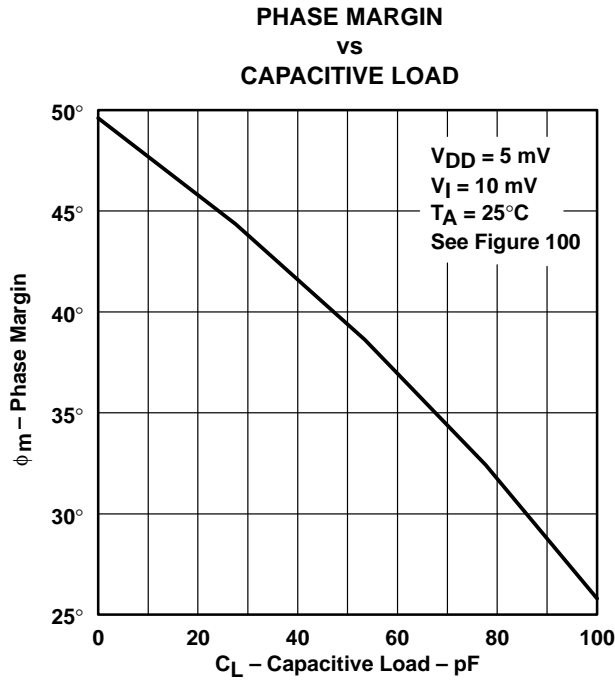


Figure 32

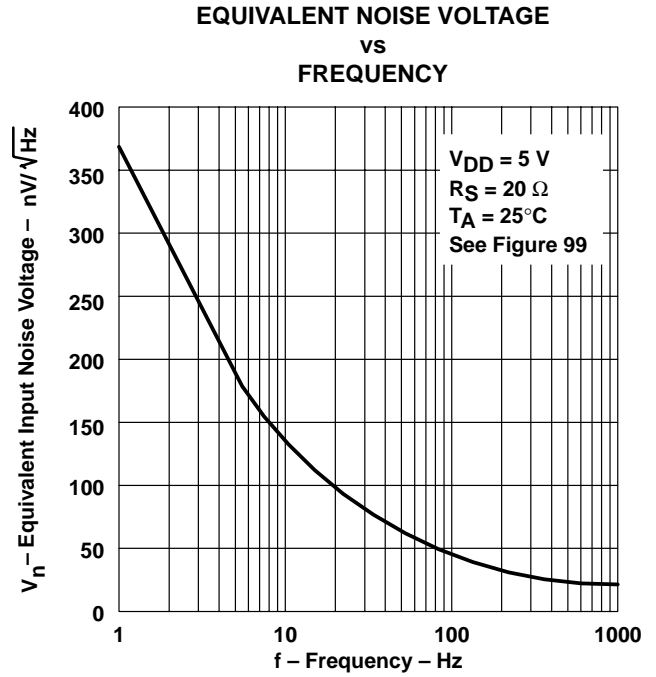


Figure 33

† Data at high and low temperatures are applicable only within the rated operating free-air temperature ranges of the various devices.

TLC271, TLC271A, TLC271B
LinCMOS™ PROGRAMMABLE LOW-POWER
OPERATIONAL AMPLIFIERS

SLOS090D – NOVEMBER 1987 – REVISED MARCH 2001

MEDIUM-BIAS MODE

electrical characteristics at specified free-air temperature (unless otherwise noted)

| PARAMETER | | TEST CONDITIONS | T _A † | TLC271C, TLC271AC, TLC271BC | | | | | | UNIT |
|---------------------|--|---|------------------|-----------------------------|-------------|-----|------------------------|-------------|-------|------|
| | | | | V _{DD} = 5 V | | | V _{DD} = 10 V | | | |
| | | | | MIN | TYP | MAX | MIN | TYP | MAX | |
| V _{IO} | Input offset voltage | V _O = 1.4 V, V _{IC} = 0 R _S = 50 Ω, R _I = 100 kΩ | 25°C | 1.1 | | 10 | 1.1 | | 10 | mV |
| | | | Full range | | | 12 | | | 12 | |
| | | | 25°C | 0.9 | | 5 | 0.9 | | 5 | |
| | | | Full range | | | 6.5 | | | 6.5 | |
| | | | 25°C | 0.25 | | 2 | 0.26 | | 2 | |
| | | | Full range | | | 3 | | | 3 | |
| α _{VIO} | Average temperature coefficient of input offset voltage | | 25°C to 70°C | 1.7 | | | 2.1 | | μV/°C | |
| I _{IO} | Input offset current (see Note 4) | V _O = V _{DD} /2, V _{IC} = V _{DD} /2 | 25°C | 0.1 | 60 | | 0.1 | 60 | pA | |
| | | | 70°C | 7 | 300 | | 7 | 300 | | |
| I _{IB} | Input bias current (see Note 4) | V _O = V _{DD} /2, V _{IC} = V _{DD} /2 | 25°C | 0.6 | 60 | | 0.7 | 60 | pA | |
| | | | 70°C | 40 | 600 | | 50 | 600 | | |
| V _{ICR} | Common-mode input voltage range (see Note 5) | | 25°C | -0.2 to 4 | -0.3 to 4.2 | | -0.2 to 9 | -0.3 to 9.2 | V | |
| | | | Full range | -0.2 to 3.5 | | | -0.2 to 8.5 | | V | |
| V _{OH} | High-level output voltage | V _{ID} = 100 mV, R _L = 100 kΩ | 25°C | 3.2 | 3.9 | | 8 | 8.7 | V | |
| | | | 0°C | 3 | 3.9 | | 7.8 | 8.7 | | |
| | | | 70°C | 3 | 4 | | 7.8 | 8.7 | | |
| V _{OL} | Low-level output voltage | V _{ID} = -100 mV, I _{OL} = 0 | 25°C | | 0 | 50 | | 0 | 50 | mV |
| | | | 0°C | | 0 | 50 | | 0 | 50 | |
| | | | 70°C | | 0 | 50 | | 0 | 50 | |
| A _{VD} | Large-signal differential voltage amplification | R _L = 100 kΩ, See Note 6 | 25°C | 25 | 170 | | 25 | 275 | V/mV | |
| | | | 0°C | 15 | 200 | | 15 | 320 | | |
| | | | 70°C | 15 | 140 | | 15 | 230 | | |
| CMRR | Common-mode rejection ratio | V _{IC} = V _{ICRmin} | 25°C | 65 | 91 | | 65 | 94 | dB | |
| | | | 0°C | 60 | 91 | | 60 | 94 | | |
| | | | 70°C | 60 | 92 | | 60 | 94 | | |
| k _{SVR} | Supply-voltage rejection ratio (ΔV _{DD} /ΔV _{IO}) | V _{DD} = 5 V to 10 V V _O = 1.4 V | 25°C | 70 | 93 | | 70 | 93 | dB | |
| | | | 0°C | 60 | 92 | | 60 | 92 | | |
| | | | 70°C | 60 | 94 | | 60 | 94 | | |
| I _{I(SEL)} | Input current (BIAS SELECT) | V _{I(SEL)} = V _{DD} /2 | 25°C | -130 | | | -160 | | nA | |
| I _{DD} | Supply current | V _O = V _{DD} /2, V _{IC} = V _{DD} /2, No load | 25°C | 105 | 280 | | 143 | 300 | μA | |
| | | | 0°C | 125 | 320 | | 173 | 400 | | |
| | | | 70°C | 85 | 220 | | 110 | 280 | | |

† Full range is 0°C to 70°C.

- NOTES: 4. The typical values of input bias current and input offset current below 5 pA were determined mathematically.
5. This range also applies to each input individually.
6. At V_{DD} = 5 V, V_O = 0.25 V to 2 V; at V_{DD} = 10 V, V_O = 1 V to 6 V.



MEDIUM-BIAS MODE

electrical characteristics at specified free-air temperature (unless otherwise noted)

| PARAMETER | | TEST CONDITIONS | T _A † | TLC271I, TLC271AI, TLC271BI | | | | | | UNIT | |
|---------------------|--|--|------------------|-----------------------------------|--|------|------------------------|-------------|------|-------|----|
| | | | | V _{DD} = 5 V | | | V _{DD} = 10 V | | | | |
| | | | | MIN | TYP | MAX | MIN | TYP | MAX | | |
| V _{IO} | Input offset voltage | V _O = 1.4 V, V _{IC} = 0 V, R _S = 50 Ω, R _L = 100 kΩ | 25°C | 1.1 | | 10 | 1.1 | | 10 | mV | |
| | | | Full range | | | 13 | | | 13 | | |
| | | | 25°C | 0.9 | | 5 | 0.9 | | 5 | | |
| | | | Full range | | | 7 | | | 7 | | |
| α _{VIO} | Average temperature coefficient of input offset voltage | | 25°C to 85°C | 1.7 | | | 2.1 | | | μV/°C | |
| | | | I _{IO} | Input offset current (see Note 4) | V _O = V _{DD} /2, V _{IC} = V _{DD} /2 | 25°C | 0.1 | 60 | 0.1 | 60 | pA |
| | | | | | | 85°C | 24 | 1000 | 26 | 1000 | |
| | | | I _{IB} | Input bias current (see Note 4) | V _O = V _{DD} /2, V _{IC} = V _{DD} /2 | 25°C | 0.6 | 60 | 0.7 | 60 | pA |
| 85°C | 200 | 2000 | | | | 220 | 2000 | | | | |
| V _{ICR} | Common-mode input voltage range (see Note 5) | | 25°C | -0.2 to 4 | -0.3 to 4.2 | | -0.2 to 9 | -0.3 to 9.2 | V | | |
| | | | Full range | -0.2 to 3.5 | | | -0.2 to 8.5 | | V | | |
| V _{OH} | High-level output voltage | V _{ID} = 100 mV, R _L = 100 kΩ | 25°C | 3.2 | 3.9 | | 8 | 8.7 | V | | |
| | | | -40°C | 3 | 3.9 | | 7.8 | 8.7 | | | |
| | | | 85°C | 3 | 4 | | 7.8 | 8.7 | | | |
| V _{OL} | Low-level output voltage | V _{ID} = -100 mV, I _{OL} = 0 | 25°C | | 0 | 50 | | 0 | 50 | mV | |
| | | | -40°C | | 0 | 50 | | 0 | 50 | | |
| | | | 85°C | | 0 | 50 | | 0 | 50 | | |
| A _{VD} | Large-signal differential voltage amplification | R _L = 100 kΩ, See Note 6 | 25°C | 25 | 170 | | 25 | 275 | V/mV | | |
| | | | -40°C | 15 | 270 | | 15 | 390 | | | |
| | | | 85°C | 15 | 130 | | 15 | 220 | | | |
| CMRR | Common-mode rejection ratio | V _{IC} = V _{ICRmin} | 25°C | 65 | 91 | | 65 | 94 | dB | | |
| | | | -40°C | 60 | 90 | | 60 | 93 | | | |
| | | | 85°C | 60 | 90 | | 60 | 94 | | | |
| k _{SVR} | Supply-voltage rejection ratio (ΔV _{DD} /ΔV _{IO}) | V _{DD} = 5 V to 10 V V _O = 1.4 V | 25°C | 70 | 93 | | 70 | 93 | dB | | |
| | | | -40°C | 60 | 91 | | 60 | 91 | | | |
| | | | 85°C | 60 | 94 | | 60 | 94 | | | |
| I _{I(SEL)} | Input current (BIAS SELECT) | V _{I(SEL)} = V _{DD} /2 | 25°C | -130 | | -160 | | nA | | | |
| I _{DD} | Supply current | V _O = V _{DD} /2, V _{IC} = V _{DD} /2, No load | 25°C | 105 | 280 | | 143 | 300 | μA | | |
| | | | -40°C | 158 | 400 | | 225 | 450 | | | |
| | | | 85°C | 80 | 200 | | 103 | 260 | | | |

† Full range is -40°C to 85°C.

- NOTES:
4. The typical values of input bias current and input offset current below 5 pA were determined mathematically.
 5. This range also applies to each input individually.
 6. At V_{DD} = 5 V, V_O = 0.25 V to 2 V; at V_{DD} = 10 V, V_O = 1 V to 6 V.

TLC271, TLC271A, TLC271B
LinCMOS™ PROGRAMMABLE LOW-POWER
OPERATIONAL AMPLIFIERS

SLOS090D – NOVEMBER 1987 – REVISED MARCH 2001

MEDIUM-BIAS MODE

electrical characteristics at specified free-air temperature (unless otherwise noted)

| PARAMETER | TEST CONDITIONS | T _A † | TLC271M | | | | | | UNIT |
|---|--|------------------|-----------------------|-------------|-----|------------------------|-------------|-----|-------|
| | | | V _{DD} = 5 V | | | V _{DD} = 10 V | | | |
| | | | MIN | TYP | MAX | MIN | TYP | MAX | |
| V _{IO} Input offset voltage | V _O = 1.4 V, V _{IC} = 0 V, R _S = 50 Ω, R _L = 100 kΩ | 25°C | 1.1 | | 10 | 1.1 | | 10 | mV |
| | | Full range | | | 12 | | | 12 | |
| α _{VIO} Average temperature coefficient of input offset voltage | | 25°C to 125°C | 1.7 | | | 2.1 | | | μV/°C |
| I _{IO} Input offset current (see Note 4) | V _O = V _{DD} /2, V _{IC} = V _{DD} /2 | 25°C | 0.1 | 60 | | 0.1 | 60 | | pA |
| | | 125°C | 1.4 | 15 | | 1.8 | 15 | | nA |
| I _{IB} Input bias current (see Note 4) | V _O = V _{DD} /2, V _{IC} = V _{DD} /2 | 25°C | 0.6 | 60 | | 0.7 | 60 | | pA |
| | | 125°C | 9 | 35 | | 10 | 35 | | nA |
| V _{ICR} Common-mode input voltage range (see Note 5) | | 25°C | 0 to 4 | -0.3 to 4.2 | | 0 to 9 | -0.3 to 9.2 | | V |
| | | Full range | 0 to 3.5 | | | 0 to 8.5 | | | V |
| V _{OH} High-level output voltage | V _{ID} = 100 mV, R _L = 100 kΩ | 25°C | 3.2 | 3.9 | | 8 | 8.7 | | V |
| | | -55°C | 3 | 3.9 | | 7.8 | 8.6 | | |
| | | 125°C | 3 | 4 | | 7.8 | 8.6 | | |
| V _{OL} Low-level output voltage | V _{ID} = -100 mV, I _{OL} = 0 | 25°C | | 0 | 50 | | 0 | 50 | mV |
| | | -55°C | | 0 | 50 | | 0 | 50 | |
| | | 125°C | | 0 | 50 | | 0 | 50 | |
| A _{VD} Large-signal differential voltage amplification | R _L = 10 kΩ See Note 6 | 25°C | 25 | 170 | | 25 | 275 | | V/mV |
| | | -55°C | 15 | 290 | | 15 | 420 | | |
| | | 125°C | 15 | 120 | | 15 | 190 | | |
| CMRR Common-mode rejection ratio | V _{IC} = V _{ICRmin} | 25°C | 65 | 91 | | 65 | 94 | | dB |
| | | -55°C | 60 | 89 | | 60 | 93 | | |
| | | 125°C | 60 | 91 | | 60 | 93 | | |
| k _{SVR} Supply-voltage rejection ratio (ΔV _{DD} /ΔV _{IO}) | V _{DD} = 5 V to 10 V V _O = 1.4 V | 25°C | 70 | 93 | | 70 | 93 | | dB |
| | | -55°C | 60 | 91 | | 60 | 91 | | |
| | | 125°C | 60 | 94 | | 60 | 94 | | |
| I _{I(SEL)} Input current (BIAS SELECT) | V _{I(SEL)} = V _{DD} /2 | 25°C | -130 | | | -160 | | | nA |
| I _{DD} Supply current | V _O = V _{DD} /2, V _{IC} = V _{DD} /2, No load | 25°C | 105 | | 280 | 143 | | 300 | μA |
| | | -55°C | 170 | | 440 | 245 | | 500 | |
| | | 125°C | 70 | | 180 | 90 | | 240 | |

† Full range is -55°C to 125°C.

NOTES: 4. The typical values of input bias current and input offset current below 5 pA were determined mathematically.

5. This range also applies to each input individually.

6. At V_{DD} = 5 V, V_O = 0.25 V to 2 V; at V_{DD} = 10 V, V_O = 1 V to 6 V.



MEDIUM-BIAS MODE

operating characteristics at specified free-air temperature, $V_{DD} = 5\text{ V}$

| PARAMETER | TEST CONDITIONS | T_A | TLC271C, TLC271AC, TLC271BC | | | UNIT |
|---|---|---|--------------------------------|------|------------------------|------------|
| | | | MIN | TYP | MAX | |
| SR Slew rate at unity gain | $R_L = 100\text{ k}\Omega$, $C_L = 20\text{ pF}$, See Figure 98 | $V_{I(PP)} = 1\text{ V}$ | 25°C | 0.43 | | V/ μ s |
| | | | 0°C | 0.46 | | |
| | | | 70°C | 0.36 | | |
| | | $V_{I(PP)} = 2.5\text{ V}$ | 25°C | 0.40 | | |
| | | | 0°C | 0.43 | | |
| | | | 70°C | 0.34 | | |
| V_n Equivalent input noise voltage | $f = 1\text{ kHz}$, See Figure 99 | $R_S = 20\ \Omega$, 25°C | 32 | | nV/ $\sqrt{\text{Hz}}$ | |
| B_{OM} Maximum output-swing bandwidth | $V_O = V_{OH}$, $R_L = 100\text{ k}\Omega$, See Figure 98 | $C_L = 20\text{ pF}$, See Figure 98 | 25°C | 55 | | kHz |
| | | | 0°C | 60 | | |
| | | | 70°C | 50 | | |
| B_1 Unity-gain bandwidth | $V_I = 10\text{ mV}$, See Figure 100 | $C_L = 20\text{ pF}$, | 25°C | 525 | | kHz |
| | | | 0°C | 600 | | |
| | | | 70°C | 400 | | |
| ϕ_m Phase margin | $V_I = 10\text{ mV}$, $C_L = 20\text{ pF}$, | $f = B_1$, See Figure 100 | 25°C | 40° | | |
| | | | 0°C | 41° | | |
| | | | 70°C | 39° | | |

operating characteristics at specified free-air temperature, $V_{DD} = 10\text{ V}$

| PARAMETER | TEST CONDITIONS | T_A | TLC271C, TLC271AC, TLC271BC | | | UNIT |
|---|---|---|--------------------------------|------|------------------------|------------|
| | | | MIN | TYP | MAX | |
| SR Slew rate at unity gain | $R_L = 100\text{ k}\Omega$, $C_L = 20\text{ pF}$, See Figure 98 | $V_{I(PP)} = 1\text{ V}$ | 25°C | 0.62 | | V/ μ s |
| | | | 0°C | 0.67 | | |
| | | | 70°C | 0.51 | | |
| | | $V_{I(PP)} = 5.5\text{ V}$ | 25°C | 0.56 | | |
| | | | 0°C | 0.61 | | |
| | | | 70°C | 0.46 | | |
| V_n Equivalent input noise voltage | $f = 1\text{ kHz}$, See Figure 99 | $R_S = 20\ \Omega$, 25°C | 32 | | nV/ $\sqrt{\text{Hz}}$ | |
| B_{OM} Maximum output-swing bandwidth | $V_O = V_{OH}$, $R_L = 100\text{ k}\Omega$, See Figure 98 | $C_L = 20\text{ pF}$, See Figure 98 | 25°C | 35 | | kHz |
| | | | 0°C | 40 | | |
| | | | 70°C | 30 | | |
| B_1 Unity-gain bandwidth | $V_I = 10\text{ mV}$, See Figure 100 | $C_L = 20\text{ pF}$, | 25°C | 635 | | kHz |
| | | | 0°C | 710 | | |
| | | | 70°C | 510 | | |
| ϕ_m Phase margin | $V_I = 10\text{ mV}$, $C_L = 20\text{ pF}$, | $f = B_1$, See Figure 100 | 25°C | 43° | | |
| | | | 0°C | 44° | | |
| | | | 70°C | 42° | | |

TLC271, TLC271A, TLC271B
LinCMOS™ PROGRAMMABLE LOW-POWER
OPERATIONAL AMPLIFIERS

SLOS090D – NOVEMBER 1987 – REVISED MARCH 2001

MEDIUM-BIAS MODE

operating characteristics at specified free-air temperature, $V_{DD} = 5\text{ V}$

| PARAMETER | TEST CONDITIONS | T_A | TLC271I, TLC271AI, TLC271BI | | | UNIT |
|---|---|---|--------------------------------|------|------------------------|------------|
| | | | MIN | TYP | MAX | |
| SR Slew rate at unity gain | $R_L = 100\text{ k}\Omega$, $C_L = 20\text{ pF}$, See Figure 98 | $V_{I(PP)} = 1\text{ V}$ | 25°C | 0.43 | | V/ μ s |
| | | | -40°C | 0.51 | | |
| | | | 85°C | 0.35 | | |
| | | $V_{I(PP)} = 2.5\text{ V}$ | 25°C | 0.40 | | |
| | | | -40°C | 0.48 | | |
| | | | 85°C | 0.32 | | |
| V_n Equivalent input noise voltage | $f = 1\text{ kHz}$, See Figure 99 | $R_S = 20\ \Omega$, 25°C | 32 | | nV/ $\sqrt{\text{Hz}}$ | |
| B_{OM} Maximum output-swing bandwidth | $V_O = V_{OH}$, $R_L = 100\text{ k}\Omega$, See Figure 98 | $C_L = 20\text{ pF}$, See Figure 98 | 25°C | 55 | | kHz |
| | | | -40°C | 75 | | |
| | | | 85°C | 45 | | |
| B_1 Unity-gain bandwidth | $V_I = 10\text{ mV}$, See Figure 100 | $C_L = 20\text{ pF}$, | 25°C | 525 | | MHz |
| | | | -40°C | 770 | | |
| | | | 85°C | 370 | | |
| ϕ_m Phase margin | $V_I = 10\text{ mV}$, $C_L = 20\text{ pF}$, | $f = B_1$, See Figure 100 | 25°C | 40° | | |
| | | | -40°C | 43° | | |
| | | | 85°C | 38° | | |

operating characteristics at specified free-air temperature, $V_{DD} = 10\text{ V}$

| PARAMETER | TEST CONDITIONS | T_A | TLC271I, TLC271AI, TLC271BI | | | UNIT |
|---|---|---|--------------------------------|------|------------------------|------------|
| | | | MIN | TYP | MAX | |
| SR Slew rate at unity gain | $R_L = 100\text{ k}\Omega$, $C_L = 20\text{ pF}$, See Figure 98 | $V_{I(PP)} = 1\text{ V}$ | 25°C | 0.62 | | V/ μ s |
| | | | -40°C | 0.77 | | |
| | | | 85°C | 0.47 | | |
| | | $V_{I(PP)} = 5.5\text{ V}$ | 25°C | 0.56 | | |
| | | | -40°C | 0.70 | | |
| | | | 85°C | 0.44 | | |
| V_n Equivalent input noise voltage | $f = 1\text{ kHz}$, See Figure 99 | $R_S = 20\ \Omega$, 25°C | 32 | | nV/ $\sqrt{\text{Hz}}$ | |
| B_{OM} Maximum output-swing bandwidth | $V_O = V_{OH,3}$, $R_L = 100\text{ k}\Omega$, See Figure 98 | $C_L = 20\text{ pF}$, See Figure 98 | 25°C | 35 | | kHz |
| | | | -40°C | 45 | | |
| | | | 85°C | 25 | | |
| B_1 Unity-gain bandwidth | $V_I = 10\text{ mV}$, See Figure 100 | $C_L = 20\text{ pF}$, | 25°C | 635 | | kHz |
| | | | -40°C | 880 | | |
| | | | 85°C | 480 | | |
| ϕ_m Phase margin | $V_I = 10\text{ mV}$, $C_L = 20\text{ pF}$, | $f = B_1$, See Figure 100 | 25°C | 43° | | |
| | | | -40°C | 46° | | |
| | | | 85°C | 41° | | |



MEDIUM-BIAS MODE

operating characteristics at specified free-air temperature, $V_{DD} = 5\text{ V}$

| PARAMETER | TEST CONDITIONS | T_A | TLC271M | | | UNIT |
|---|---|---|---------|------|------------------------|------------|
| | | | MIN | TYP | MAX | |
| SR Slew rate at unity gain | $R_L = 100\text{ k}\Omega$, $C_L = 20\text{ pF}$, See Figure 98 | $V_{I(PP)} = 1\text{ V}$ | 25°C | 0.43 | | V/ μ s |
| | | | -55°C | 0.54 | | |
| | | | 125°C | 0.29 | | |
| | | $V_{I(PP)} = 2.5\text{ V}$ | 25°C | 0.40 | | |
| | | | -55°C | 0.50 | | |
| | | | 125°C | 0.28 | | |
| V_n Equivalent input noise voltage | $f = 1\text{ kHz}$, See Figure 99 | $R_S = 20\ \Omega$, 25°C | 32 | | nV/ $\sqrt{\text{Hz}}$ | |
| B_{OM} Maximum output-swing bandwidth | $V_O = V_{OH}$, $R_L = 100\text{ k}\Omega$, See Figure 98 | $C_L = 20\text{ pF}$, See Figure 98 | 25°C | 55 | | kHz |
| | | | -55°C | 80 | | |
| | | | 125°C | 40 | | |
| B_1 Unity-gain bandwidth | $V_I = 10\text{ mV}$, See Figure 100 | $C_L = 20\text{ pF}$ | 25°C | 525 | | kHz |
| | | | -55°C | 850 | | |
| | | | 125°C | 330 | | |
| ϕ_m Phase margin | $V_I = 10\text{ mV}$, $C_L = 20\text{ pF}$ | $f = B_1$, See Figure 100 | 25°C | 40° | | |
| | | | -55°C | 43° | | |
| | | | 125°C | 36° | | |

operating characteristics at specified free-air temperature, $V_{DD} = 10\text{ V}$

| PARAMETER | TEST CONDITIONS | T_A | TLC271M | | | UNIT |
|---|---|---|---------|------|------------------------|------------|
| | | | MIN | TYP | MAX | |
| SR Slew rate at unity gain | $R_L = 100\text{ k}\Omega$, $C_L = 20\text{ pF}$, See Figure 98 | $V_{I(PP)} = 1\text{ V}$ | 25°C | 0.62 | | V/ μ s |
| | | | -55°C | 0.81 | | |
| | | | 125°C | 0.38 | | |
| | | $V_{I(PP)} = 5.5\text{ V}$ | 25°C | 0.56 | | |
| | | | -55°C | 0.73 | | |
| | | | 125°C | 0.35 | | |
| V_n Equivalent input noise voltage | $f = 1\text{ kHz}$, See Figure 99 | $R_S = 20\ \Omega$, 25°C | 32 | | nV/ $\sqrt{\text{Hz}}$ | |
| B_{OM} Maximum output-swing bandwidth | $V_O = V_{OH}$, $R_L = 100\text{ k}\Omega$, See Figure 98 | $C_L = 20\text{ pF}$, See Figure 98 | 25°C | 35 | | kHz |
| | | | -55°C | 50 | | |
| | | | 125°C | 20 | | |
| B_1 Unity-gain bandwidth | $V_I = 10\text{ mV}$, See Figure 100 | $C_L = 20\text{ pF}$ | 25°C | 635 | | kHz |
| | | | -55°C | 960 | | |
| | | | 125°C | 440 | | |
| ϕ_m Phase margin | $V_I = 10\text{ mV}$, $C_L = 20\text{ pF}$ | $f = B_1$, See Figure 100 | 25°C | 43° | | |
| | | | -55°C | 47° | | |
| | | | 125°C | 39° | | |

TLC271, TLC271A, TLC271B
LinCMOS™ PROGRAMMABLE LOW-POWER
OPERATIONAL AMPLIFIERS

SLOS090D – NOVEMBER 1987 – REVISED MARCH 2001

TYPICAL CHARACTERISTICS (MEDIUM-BIAS MODE)

Table of Graphs

| | | FIGURE | |
|----------------|---|-------------------------------|--------|
| V_{IO} | Input offset voltage | Distribution | 34, 35 |
| α_{VIO} | Temperature coefficient | Distribution | 36, 37 |
| V_{OH} | High-level output voltage | vs High-level output current | 38, 39 |
| | | vs Supply voltage | 40 |
| | | vs Free-air temperature | 41 |
| V_{OL} | Low-level output voltage | vs Common-mode input voltage | 42, 43 |
| | | vs Differential input voltage | 44 |
| | | vs Free-air temperature | 45 |
| | | vs Low-level output current | 46, 47 |
| A_{VD} | Large-signal differential voltage amplification | vs Supply voltage | 48 |
| | | vs Free-air temperature | 49 |
| | | vs Frequency | 60, 61 |
| I_{IB} | Input bias current | vs Free-air temperature | 50 |
| I_{IO} | Input offset current | vs Free-air temperature | 50 |
| V_I | Maximum Input voltage | vs Supply voltage | 51 |
| I_{DD} | Supply current | vs Supply voltage | 52 |
| | | vs Free-air temperature | 53 |
| SR | Slew rate | vs Supply voltage | 54 |
| | | vs Free-air temperature | 55 |
| | Bias-select current | vs Supply voltage | 56 |
| $V_{O(PP)}$ | Maximum peak-to-peak output voltage | vs Frequency | 57 |
| B_1 | Unity-gain bandwidth | vs Free-air temperature | 58 |
| | | vs Supply voltage | 59 |
| ϕ_m | Phase margin | vs Supply voltage | 62 |
| | | vs Free-air temperature | 63 |
| | | vs Capacitive load | 64 |
| V_n | Equivalent input noise voltage | vs Frequency | 65 |
| | | Phase shift | 60, 61 |



TYPICAL CHARACTERISTICS (MEDIUM-BIAS MODE)†

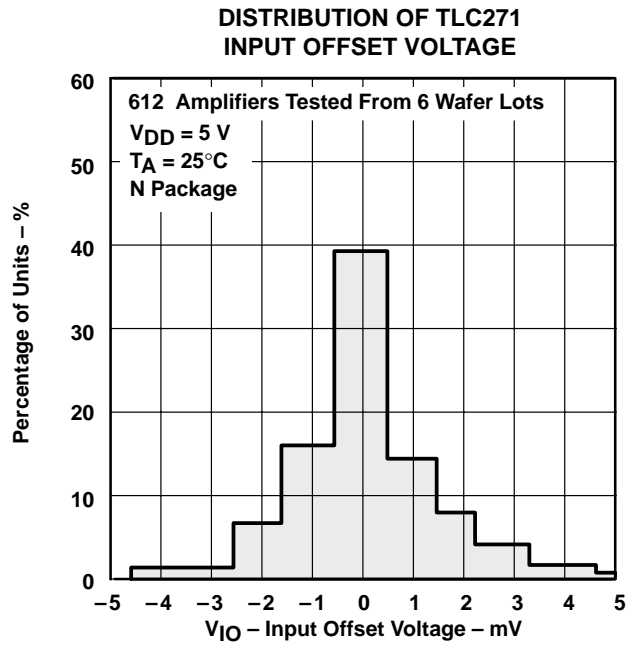


Figure 34

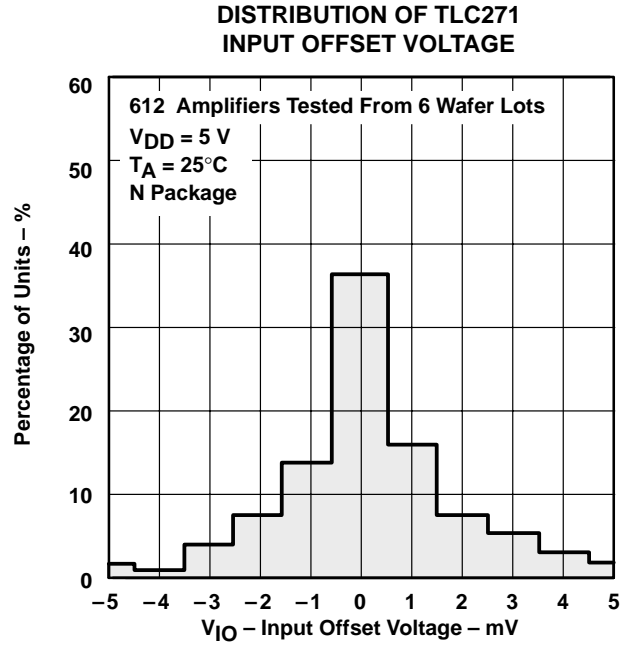


Figure 35

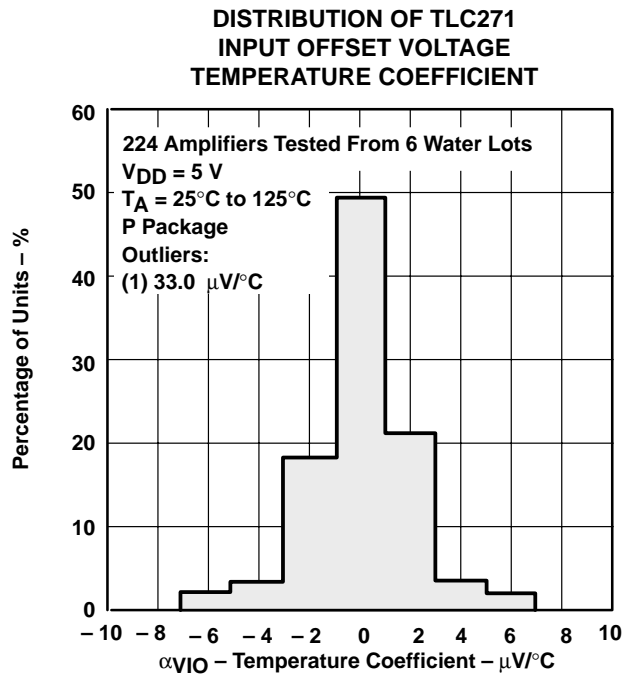


Figure 36

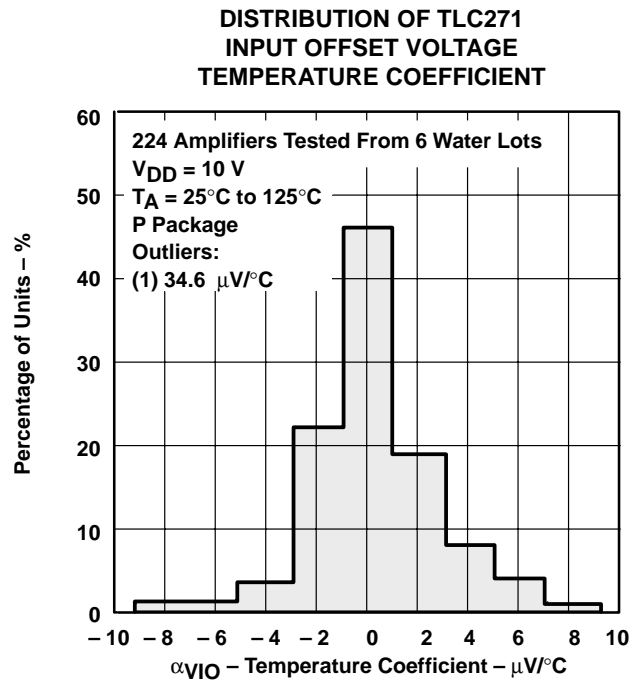


Figure 37

† Data at high and low temperatures are applicable only within the rated operating free-air temperature ranges of the various devices.

TYPICAL CHARACTERISTICS (MEDIUM-BIAS MODE)†

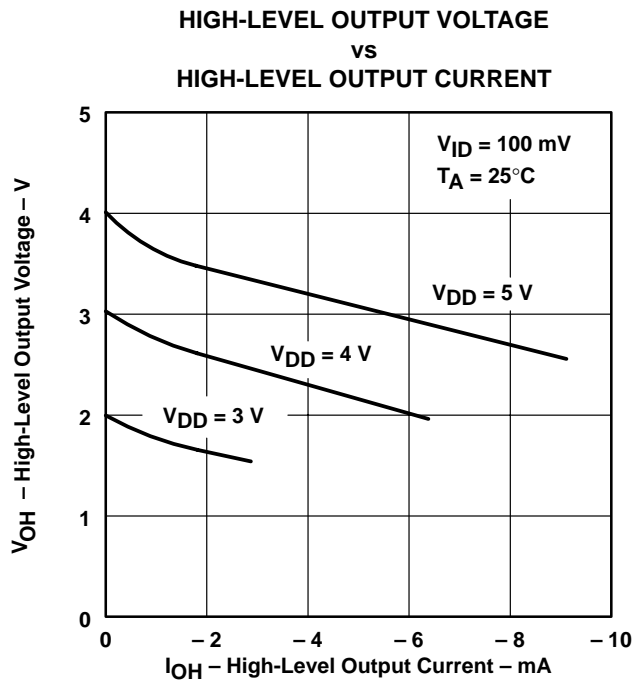


Figure 38

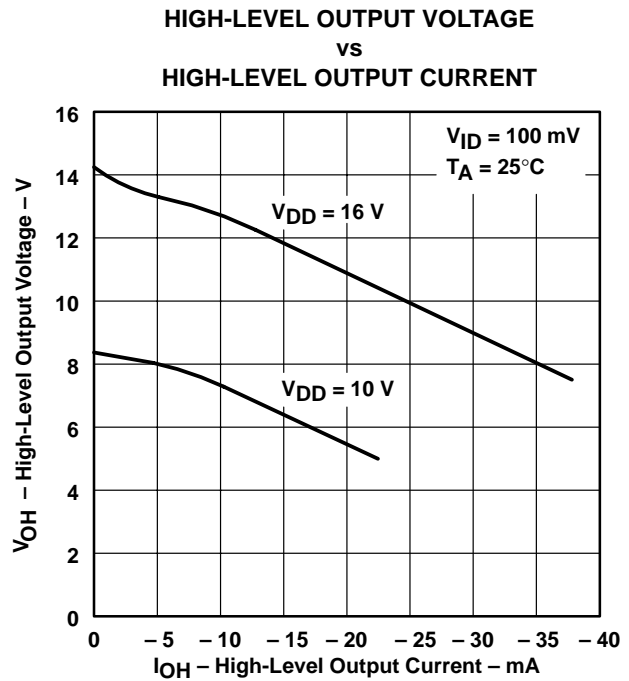


Figure 39

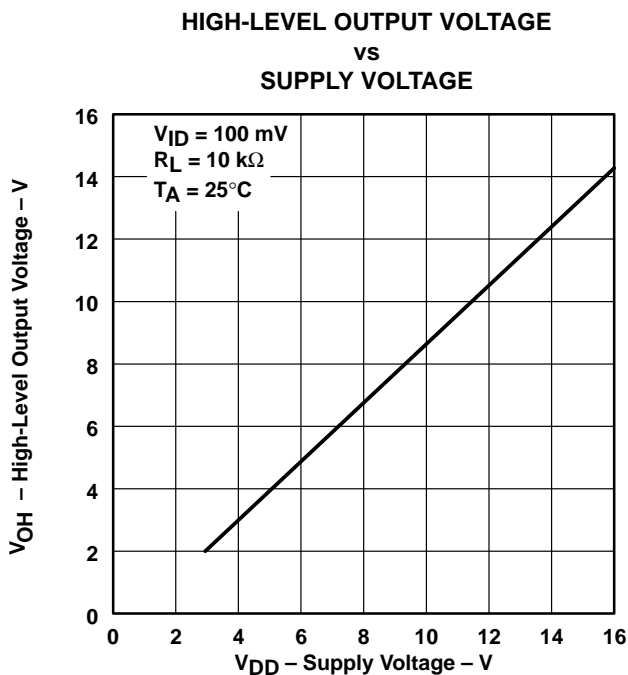


Figure 40

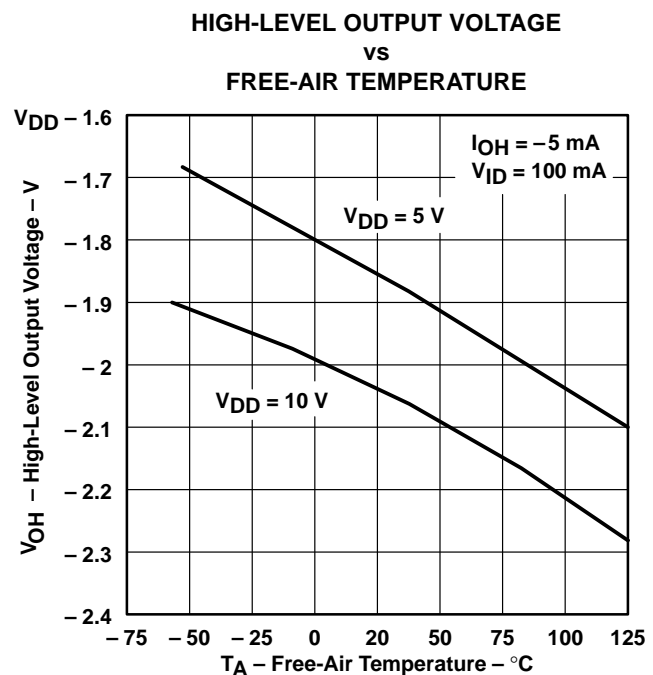


Figure 41

† Data at high and low temperatures are applicable only within the rated operating free-air temperature ranges of the various devices.

TYPICAL CHARACTERISTICS (MEDIUM-BIAS MODE)†

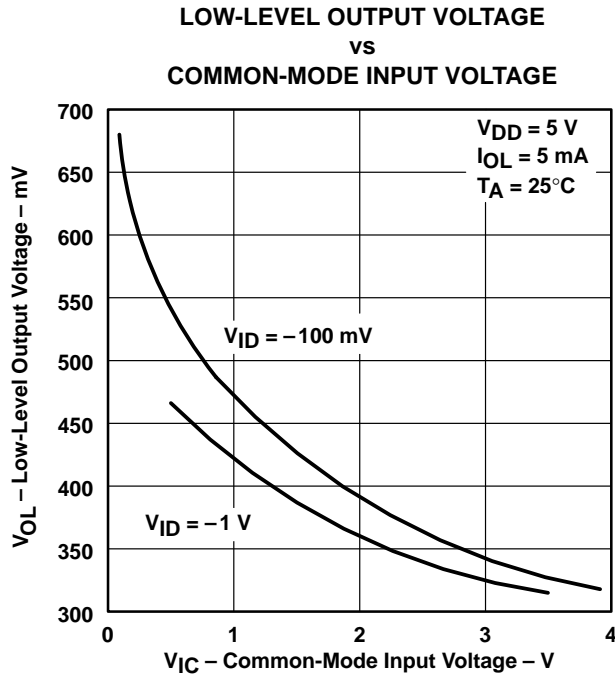


Figure 42

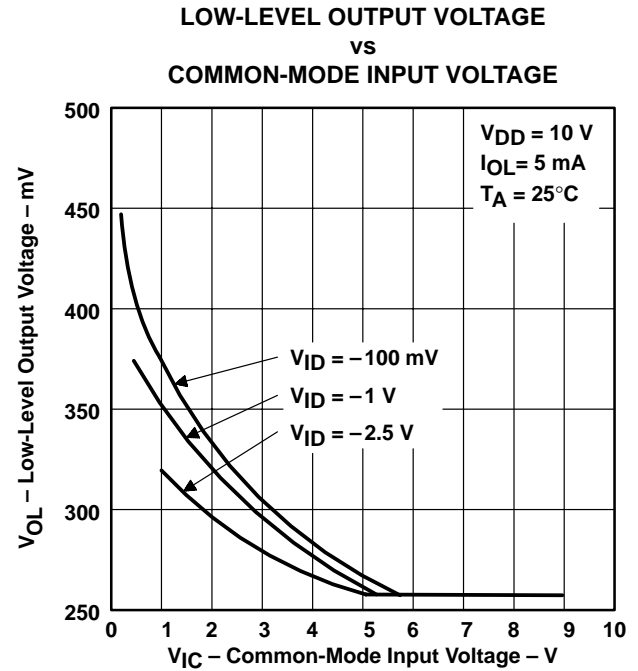


Figure 43

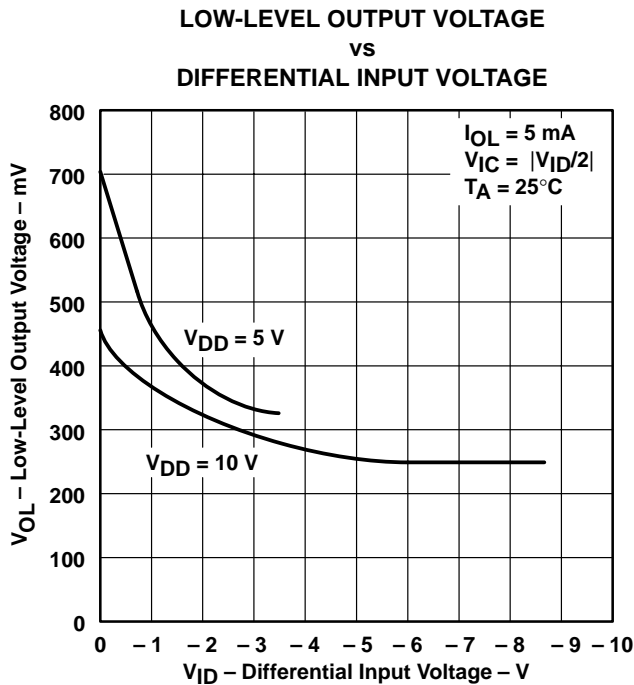


Figure 44

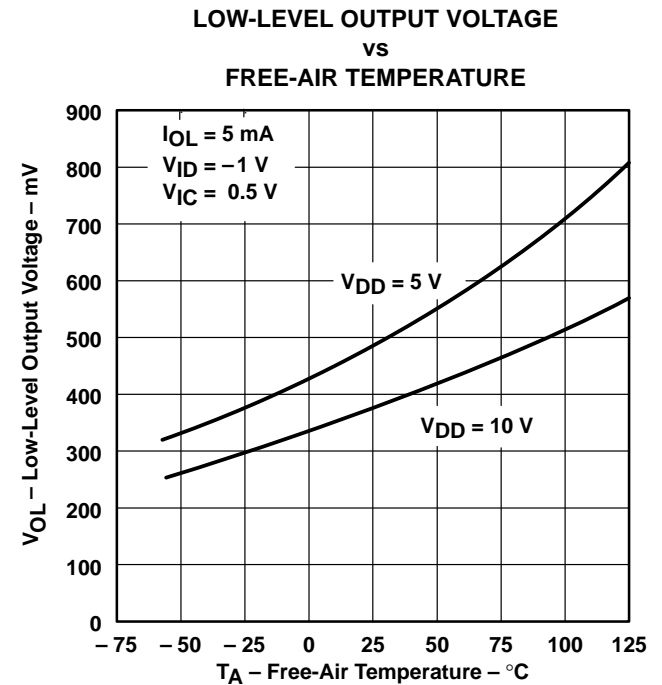


Figure 45

† Data at high and low temperatures are applicable only within the rated operating free-air temperature ranges of the various devices.

TYPICAL CHARACTERISTICS (MEDIUM-BIAS MODE)†

**LOW-LEVEL OUTPUT VOLTAGE
 vs
 LOW-LEVEL OUTPUT CURRENT**

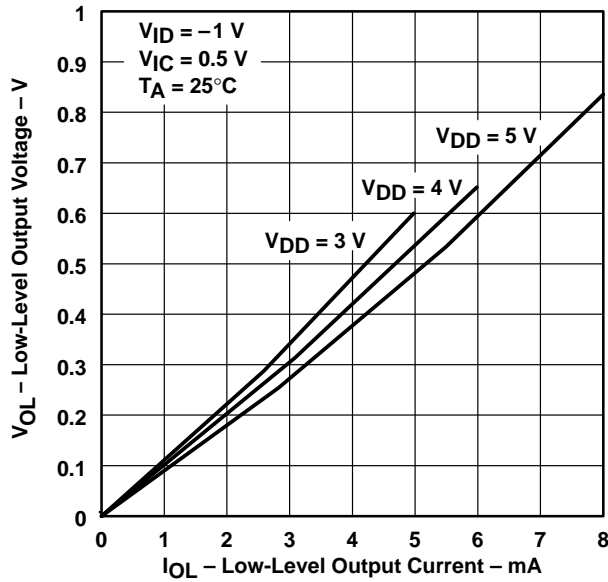


Figure 46

**LOW-LEVEL OUTPUT VOLTAGE
 vs
 LOW-LEVEL OUTPUT CURRENT**

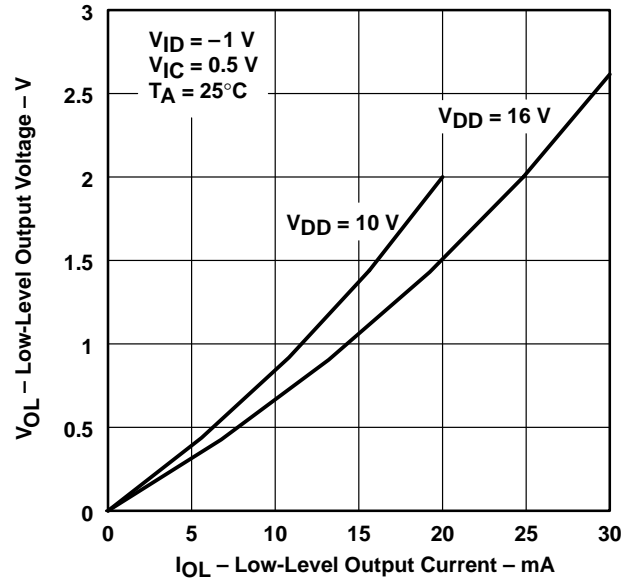


Figure 47

**LARGE-SIGNAL
 DIFFERENTIAL VOLTAGE AMPLIFICATION
 vs
 SUPPLY VOLTAGE**

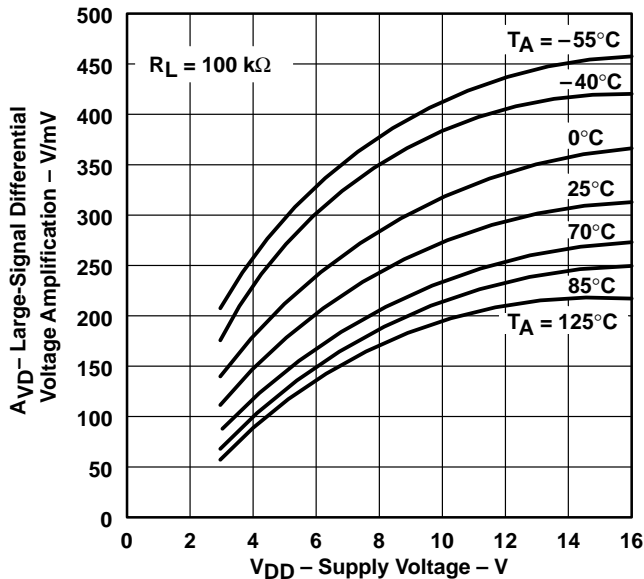


Figure 48

**LARGE-SIGNAL
 DIFFERENTIAL VOLTAGE AMPLIFICATION
 vs
 FREE-AIR TEMPERATURE**

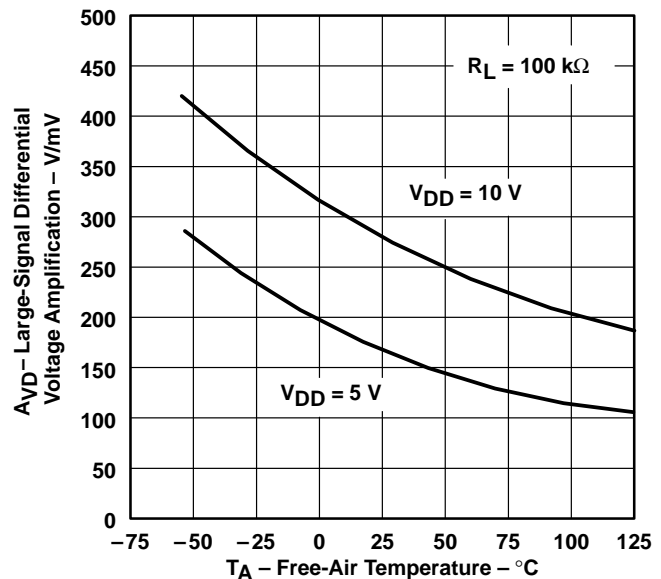
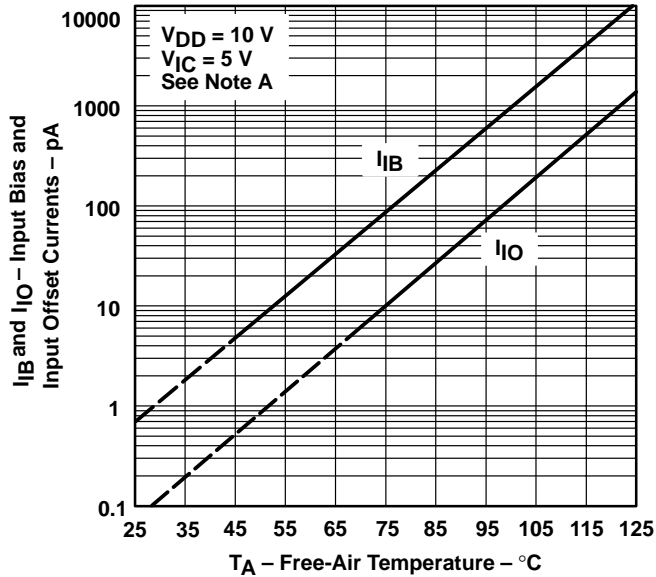


Figure 49

† Data at high and low temperatures are applicable only within the rated operating free-air temperature ranges of the various devices.

TYPICAL CHARACTERISTICS (MEDIUM-BIAS MODE)†

INPUT BIAS CURRENT AND INPUT OFFSET CURRENT
 vs
 FREE-AIR TEMPERATURE



NOTE A: The typical values of input bias current and input offset current below 5 pA were determined mathematically.

Figure 50

MAXIMUM INPUT VOLTAGE
 vs
 SUPPLY VOLTAGE

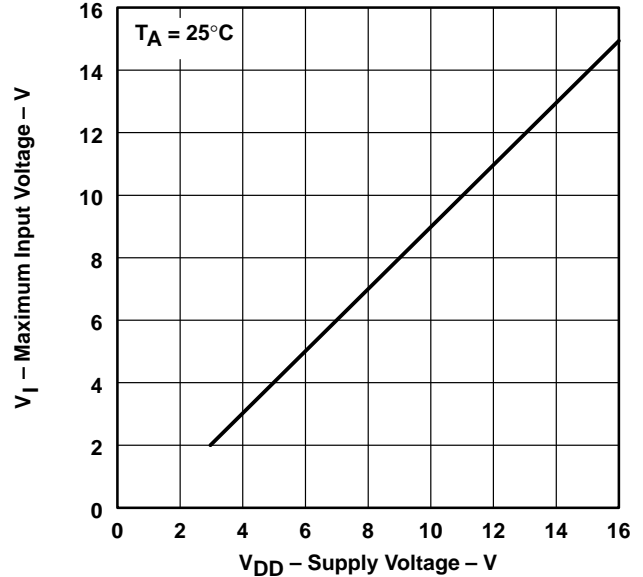


Figure 51

SUPPLY CURRENT
 vs
 SUPPLY VOLTAGE

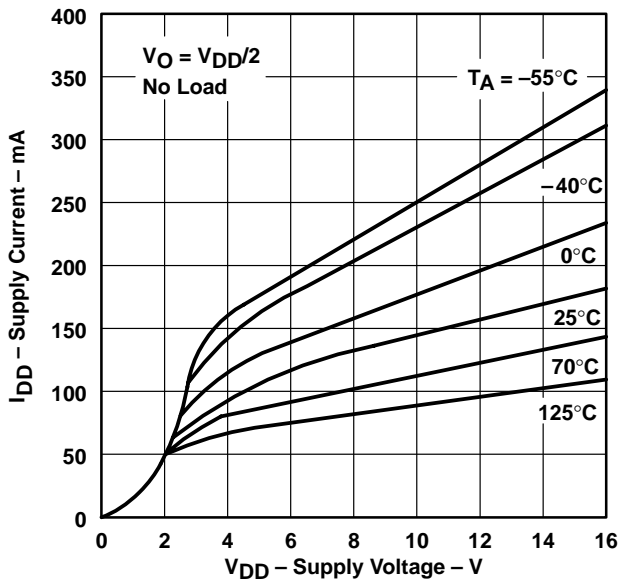


Figure 52

SUPPLY CURRENT
 vs
 FREE-AIR TEMPERATURE

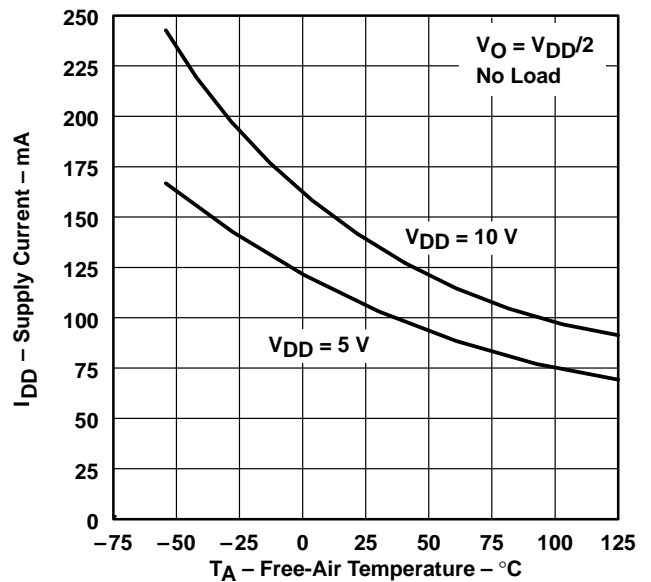


Figure 53

† Data at high and low temperatures are applicable only within the rated operating free-air temperature ranges of the various devices.

TYPICAL CHARACTERISTICS (MEDIUM-BIAS MODE)†

**SLEW RATE
 vs
 SUPPLY VOLTAGE**

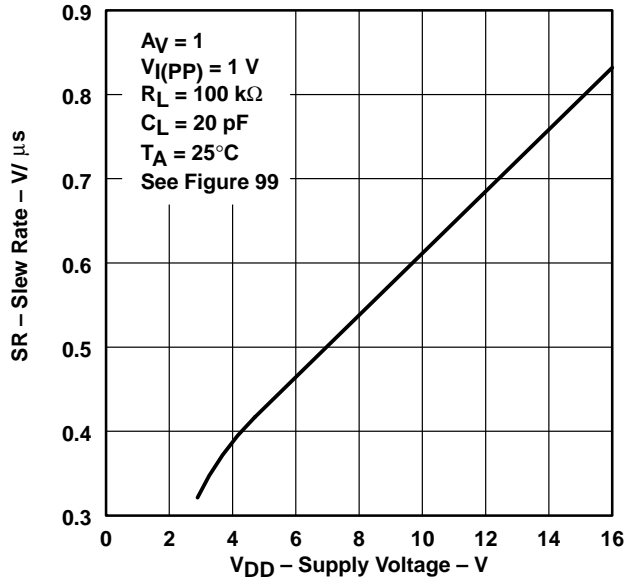


Figure 54

**SLEW RATE
 vs
 FREE-AIR TEMPERATURE**

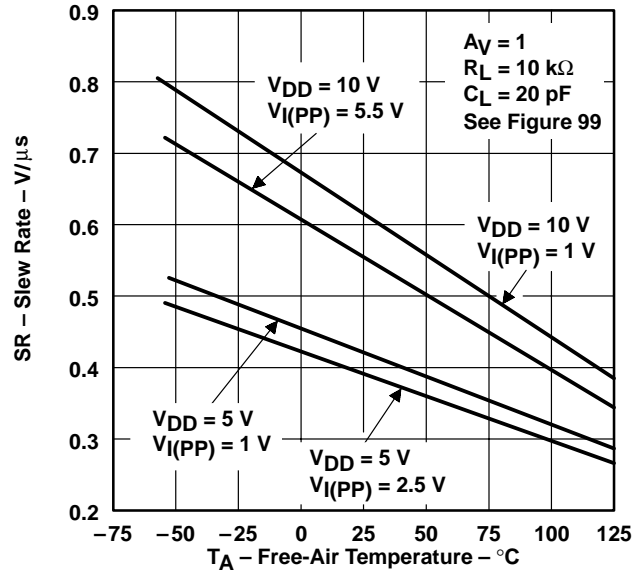


Figure 55

**BIAS-SELECT CURRENT
 vs
 SUPPLY VOLTAGE**

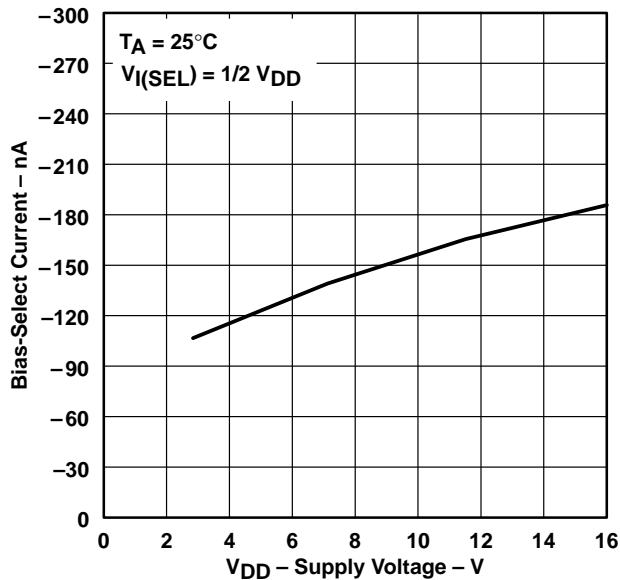


Figure 56

**MAXIMUM PEAK-TO-PEAK OUTPUT VOLTAGE
 vs
 FREQUENCY**

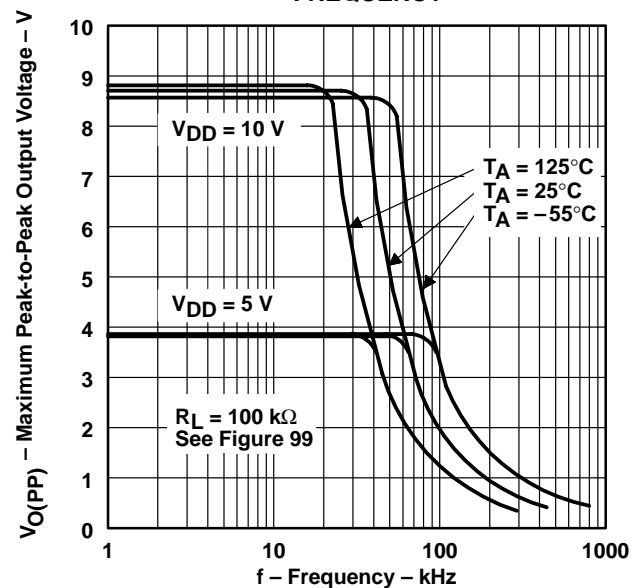


Figure 57

† Data at high and low temperatures are applicable only within the rated operating free-air temperature ranges of the various devices.

TYPICAL CHARACTERISTICS (MEDIUM-BIAS MODE)†

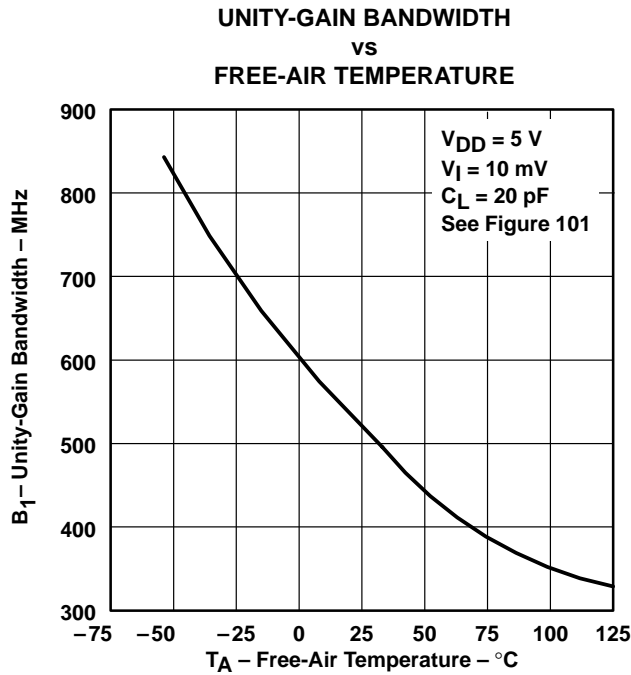


Figure 58

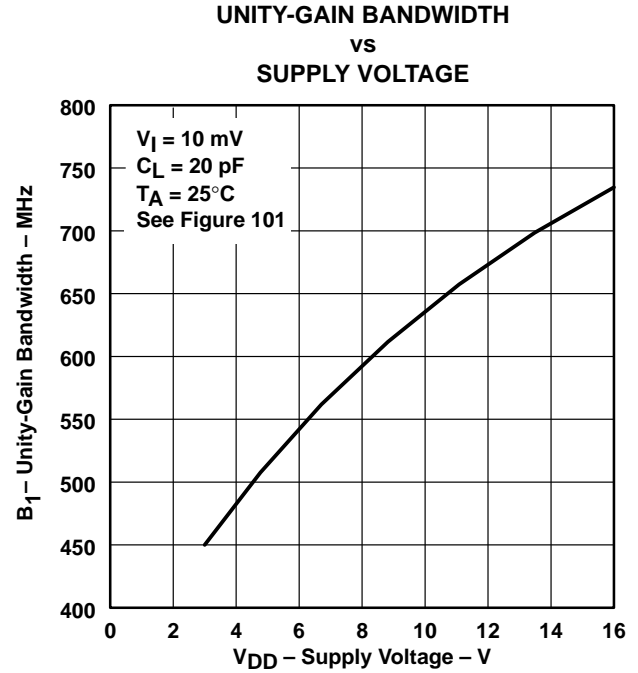


Figure 59

**LARGE-SIGNAL DIFFERENTIAL VOLTAGE
 AMPLIFICATION AND PHASE SHIFT
 vs
 FREQUENCY**

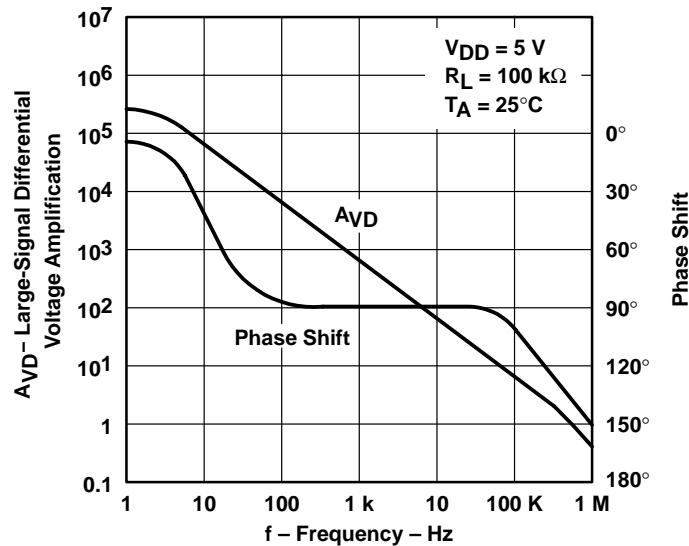


Figure 60

† Data at high and low temperatures are applicable only within the rated operating free-air temperature ranges of the various devices.

TYPICAL CHARACTERISTICS (MEDIUM-BIAS MODE)†

**LARGE-SIGNAL DIFFERENTIAL VOLTAGE
 AMPLIFICATION AND PHASE SHIFT
 vs
 FREQUENCY**

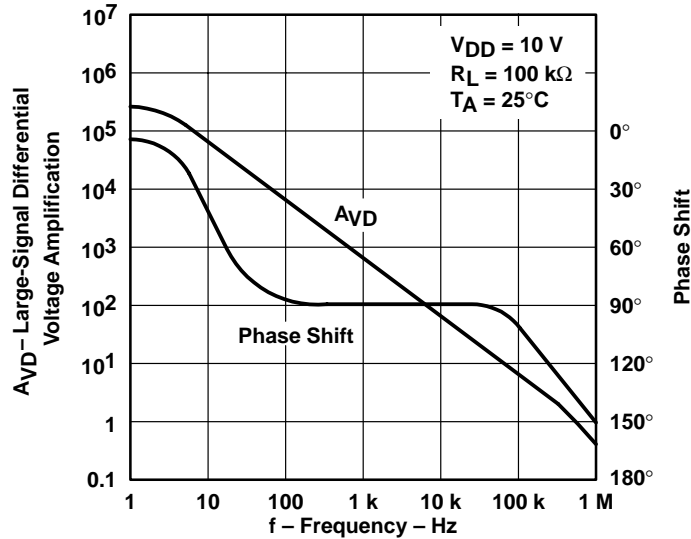


Figure 61

**PHASE MARGIN
 vs
 SUPPLY VOLTAGE**

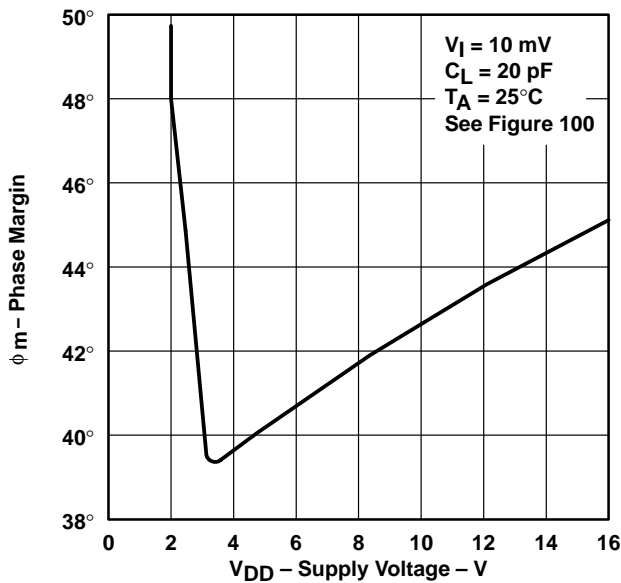


Figure 62

**PHASE MARGIN
 vs
 FREE-AIR TEMPERATURE**

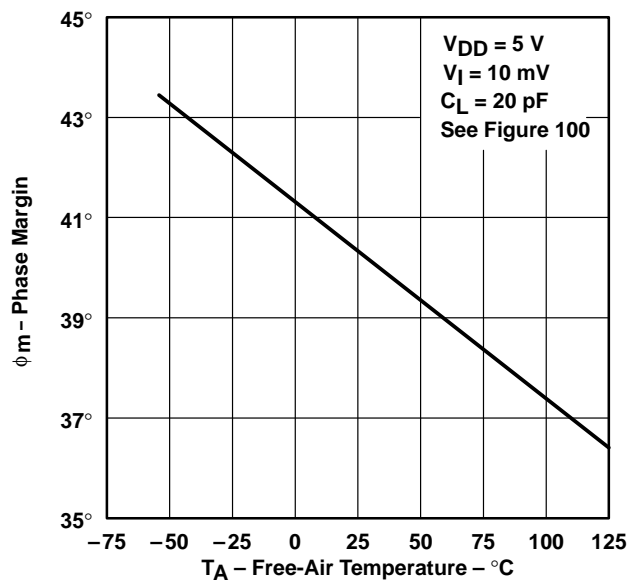


Figure 63

† Data at high and low temperatures are applicable only within the rated operating free-air temperature ranges of the various devices.

TYPICAL CHARACTERISTICS (MEDIUM-BIAS MODE)†

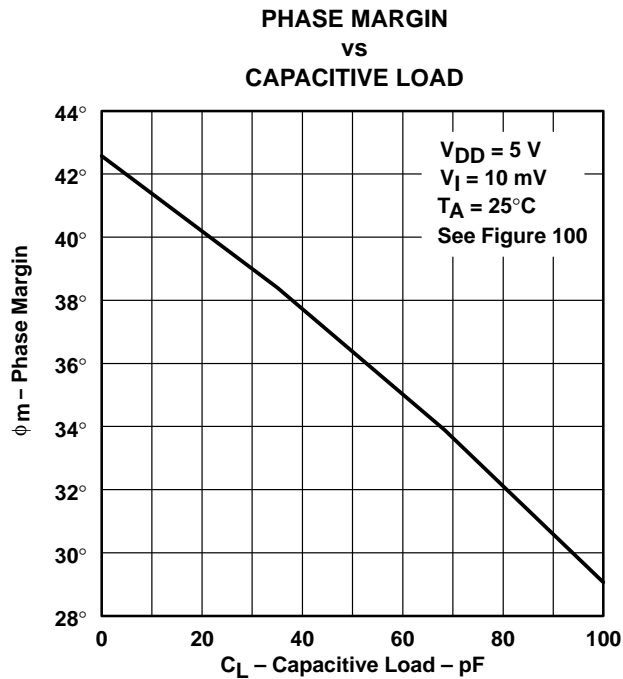


Figure 64

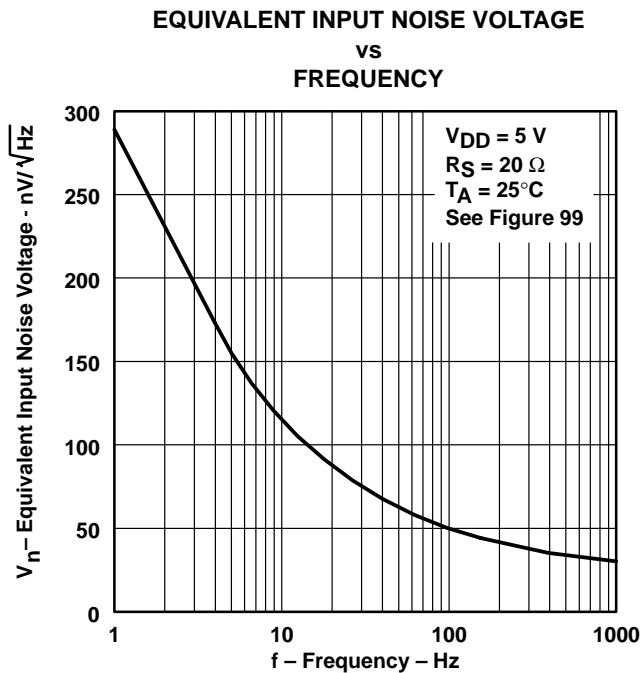


Figure 65

† Data at high and low temperatures are applicable only within the rated operating free-air temperature ranges of the various devices.

TLC271, TLC271A, TLC271B
LinCMOS™ PROGRAMMABLE LOW-POWER
OPERATIONAL AMPLIFIERS

SLOS090D – NOVEMBER 1987 – REVISED MARCH 2001

LOW-BIAS MODE

electrical characteristics at specified free-air temperature (unless otherwise noted)

| PARAMETER | | TEST CONDITIONS | T _A † | TLC271C, TLC271AC, TLC271BC | | | | | | UNIT |
|---------------------|--|--|------------------|-----------------------------|-------------|-----|------------------------|-------------|------|-------|
| | | | | V _{DD} = 5 V | | | V _{DD} = 10 V | | | |
| | | | | MIN | TYP | MAX | MIN | TYP | MAX | |
| V _{IO} | Input offset voltage | V _O = 1.4 V, V _{IC} = 0 V, R _S = 50 Ω, R _I = 1 MΩ | 25°C | 1.1 | | 10 | 1.1 | | 10 | mV |
| | | | Full range | | | 12 | | | 12 | |
| | | | 25°C | 0.9 | | 5 | 0.9 | | 5 | |
| | | | Full range | | | 6.5 | | | 6.5 | |
| | | | 25°C | 0.24 | | 2 | 0.26 | | 2 | |
| | | | Full range | | | 3 | | | 3 | |
| α _{VIO} | Average temperature coefficient of input offset voltage | | 25°C to 70°C | 1.1 | | | 1 | | | μV/°C |
| I _{IO} | Input offset current (see Note 4) | V _O = V _{DD} /2, V _{IC} = V _{DD} /2 | 25°C | 0.1 | 60 | | 0.1 | 60 | pA | |
| | | | 70°C | 7 | 300 | | 8 | 300 | | |
| I _{IB} | Input bias current (see Note 4) | V _O = V _{DD} /2, V _{IC} = V _{DD} /2 | 25°C | 0.6 | 60 | | 0.7 | 60 | pA | |
| | | | 70°C | 40 | 600 | | 50 | 600 | | |
| V _{ICR} | Common-mode input voltage range (see Note 5) | | 25°C | -0.2 to 4 | -0.3 to 4.2 | | -0.2 to 9 | -0.3 to 9.2 | V | |
| | | | Full range | -0.2 to 3.5 | | | -0.2 to 8.5 | | V | |
| V _{OH} | High-level output voltage | V _{ID} = 100 mV, R _L = 1 MΩ | 25°C | 3.2 | 4.1 | | 8 | 8.9 | V | |
| | | | 0°C | 3 | 4.1 | | 7.8 | 8.9 | | |
| | | | 70°C | 3 | 4.2 | | 7.8 | 8.9 | | |
| V _{OL} | Low-level output voltage | V _{ID} = -100 mV, I _{OL} = 0 | 25°C | | 0 | 50 | | 0 | 50 | mV |
| | | | 0°C | | 0 | 50 | | 0 | 50 | |
| | | | 70°C | | 0 | 50 | | 0 | 50 | |
| A _{VD} | Large-signal differential voltage amplification | R _L = 1 MΩ, See Note 6 | 25°C | 50 | 520 | | 50 | 870 | V/mV | |
| | | | 0°C | 50 | 700 | | 50 | 1030 | | |
| | | | 70°C | 50 | 380 | | 50 | 660 | | |
| CMRR | Common-mode rejection ratio | V _{IC} = V _{ICRmin} | 25°C | 65 | 94 | | 65 | 97 | dB | |
| | | | 0°C | 60 | 95 | | 60 | 97 | | |
| | | | 70°C | 60 | 95 | | 60 | 97 | | |
| k _{SVR} | Supply-voltage rejection ratio (ΔV _{DD} /ΔV _{IO}) | V _{DD} = 5 V to 10 V V _O = 1.4 V | 25°C | 70 | 97 | | 70 | 97 | dB | |
| | | | 0°C | 60 | 97 | | 60 | 97 | | |
| | | | 70°C | 60 | 98 | | 60 | 98 | | |
| I _{I(SEL)} | Input current (BIAS SELECT) | V _{I(SEL)} = V _{DD} | 25°C | 65 | | | 95 | | nA | |
| I _{DD} | Supply current | V _O = V _{DD} /2, V _{IC} = V _{DD} /2, No load | 25°C | 10 | 17 | | 14 | 23 | μA | |
| | | | 0°C | 12 | 21 | | 18 | 33 | | |
| | | | 70°C | 8 | 14 | | 11 | 20 | | |

† Full range is 0°C to 70°C.

- NOTES: 4. The typical values of input bias current and input offset current below 5 pA were determined mathematically.
5. This range also applies to each input individually.
6. At V_{DD} = 5 V, V_O = 0.25 V to 2 V; at V_{DD} = 10 V, V_O = 1 V to 6 V.



LOW-BIAS MODE

electrical characteristics at specified free-air temperature (unless otherwise noted)

| PARAMETER | | TEST CONDITIONS | T _A † | TLC271I, TLC271AI, TLC271BI | | | | | | UNIT |
|---------------------|--|--|--|-----------------------------|--------|-------------|------------------------|-------|-----|------|
| | | | | V _{DD} = 5 V | | | V _{DD} = 10 V | | | |
| | | | | MIN | TYP | MAX | MIN | TYP | MAX | |
| V _{IO} | Input offset voltage | TLC271I TLC271AI TLC271BI | V _O = 1.4 V, V _{IC} = 0 V, R _S = 50 Ω, R _L = 1 MΩ | 25°C | 1.1 10 | | 1.1 10 | | mV | |
| | | | | Full range | 13 | | 13 | | | |
| | | | | 25°C | 0.9 5 | | 0.9 5 | | | |
| | | | | Full range | 7 | | 7 | | | |
| | | | | 25°C | 0.24 2 | | 0.26 2 | | | |
| | | | | 3.5 | | 3.5 | | | | |
| α _{VIO} | Average temperature coefficient of input offset voltage | | 25°C to 85°C | 1.1 | | 1 | | μV/°C | | |
| I _{IO} | Input offset current (see Note 4) | V _O = V _{DD} /2, V _{IC} = V _{DD} /2 | 25°C | 0.1 60 | | 0.1 60 | | pA | | |
| | | | 85°C | 24 1000 | | 26 1000 | | | | |
| I _{IB} | Input bias current (see Note 4) | V _O = V _{DD} /2, V _{IC} = V _{DD} /2 | 25°C | 0.6 60 | | 0.7 60 | | pA | | |
| | | | 85°C | 200 2000 | | 220 2000 | | | | |
| V _{ICR} | Common-mode input voltage range (see Note 5) | | 25°C | -0.2 to 4 | | -0.3 to 4.2 | | V | | |
| | | | Full range | -0.2 to 3.5 | | -0.2 to 8.5 | | V | | |
| V _{OH} | High-level output voltage | V _{ID} = 100 mV, R _L = 1 MΩ | 25°C | 3 4.1 | | 8 8.9 | | V | | |
| | | | -40°C | 3 4.1 | | 7.8 8.9 | | | | |
| | | | 85°C | 3 4.2 | | 7.8 8.9 | | | | |
| V _{OL} | Low-level output voltage | V _{ID} = -100 mV, I _{OL} = 0 | 25°C | 0 50 | | 0 50 | | mV | | |
| | | | -40°C | 0 50 | | 0 50 | | | | |
| | | | 85°C | 0 50 | | 0 50 | | | | |
| A _{VD} | Large-signal differential voltage amplification | R _L = 1 MΩ See Note 6 | 25°C | 50 520 | | 50 870 | | V/mV | | |
| | | | -40°C | 50 900 | | 50 1550 | | | | |
| | | | 85°C | 50 330 | | 50 585 | | | | |
| CMRR | Common-mode rejection ratio | V _{IC} = V _{ICRmin} | 25°C | 65 94 | | 65 97 | | dB | | |
| | | | -40°C | 60 95 | | 60 97 | | | | |
| | | | 85°C | 60 95 | | 60 98 | | | | |
| k _{SVR} | Supply-voltage rejection ratio (ΔV _{DD} /ΔV _{IO}) | V _{DD} = 5 V to 10 V V _O = 1.4 V | 25°C | 70 97 | | 70 97 | | dB | | |
| | | | -40°C | 60 97 | | 60 97 | | | | |
| | | | 85°C | 60 98 | | 60 98 | | | | |
| I _{I(SEL)} | Input current (BIAS SELECT) | V _{I(SEL)} = V _{DD} | 25°C | 65 | | 95 | | nA | | |
| I _{DD} | Supply current | V _O = V _{DD} /2, V _{IC} = V _{DD} /2, No load | 25°C | 10 17 | | 14 23 | | μA | | |
| | | | -40°C | 16 27 | | 25 43 | | | | |
| | | | 85°C | 17 13 | | 10 18 | | | | |

† Full range is -40 to 85°C.

- NOTES: 4. The typical values of input bias current and input offset current below 5 pA were determined mathematically.
5. This range also applies to each input individually.
6. At V_{DD} = 5 V, V_O = 0.25 V to 2 V; at V_{DD} = 10 V, V_O = 1 V to 6 V.

TLC271, TLC271A, TLC271B
LinCMOS™ PROGRAMMABLE LOW-POWER
OPERATIONAL AMPLIFIERS

SLOS090D – NOVEMBER 1987 – REVISED MARCH 2001

LOW-BIAS MODE

electrical characteristics at specified free-air temperature (unless otherwise noted)

| PARAMETER | TEST CONDITIONS | T _A † | TLC271M | | | | | | UNIT | |
|---|--|------------------|-----------------------|-------------|------|------------------------|-------------|------|-------|----|
| | | | V _{DD} = 5 V | | | V _{DD} = 10 V | | | | |
| | | | MIN | TYP | MAX | MIN | TYP | MAX | | |
| V _{IO} Input offset voltage | V _O = 1.4 V, V _{IC} = 0 V, R _S = 50 Ω, R _L = 1 MΩ | 25°C | | 1.1 | 10 | | 1.1 | 10 | mV | |
| | | Full range | | | | 12 | | 12 | | |
| α _{VIO} Average temperature coefficient of input offset voltage | | 25°C to 125°C | | 1.4 | | | 1.4 | | μV/°C | |
| I _{IO} Input offset current (see Note 4) | V _O = V _{DD} /2, V _{IC} = V _{DD} /2 | 25°C | | 0.1 | 60 | | 0.1 | 60 | pA | |
| | | 125°C | | 1.4 | 15 | | 1.8 | 15 | nA | |
| I _{IB} Input bias current (see Note 4) | V _O = V _{DD} /2, V _{IC} = V _{DD} /2 | 25°C | | 0.6 | 60 | | 0.7 | 60 | pA | |
| | | 125°C | | 9 | 35 | | 10 | 35 | nA | |
| V _{ICR} Common-mode input voltage range (see Note 5) | | 25°C | 0 to 4 | -0.3 to 4.2 | | 0 to 9 | -0.3 to 9.2 | | V | |
| | | Full range | 0 to 3.5 | | | 0 to 8.5 | | | V | |
| V _{OH} High-level output voltage | V _{ID} = 100 mV, R _L = 1 MΩ | 25°C | | 3.2 | 4.1 | | 8 | 8.9 | V | |
| | | -55°C | | 3 | 4.1 | | 7.8 | 8.8 | | |
| | | 125°C | | 3 | 4.2 | | 7.8 | 9 | | |
| V _{OL} Low-level output voltage | V _{ID} = -100 mV, I _{OL} = 0 | 25°C | | | 0 | 50 | | 0 | 50 | mV |
| | | -55°C | | | 0 | 50 | | 0 | 50 | |
| | | 125°C | | | 0 | 50 | | 0 | 50 | |
| A _{VD} Large-signal differential voltage amplification | R _L = 1 MΩ, See Note 6 | 25°C | | 50 | 520 | | 50 | 870 | V/mV | |
| | | -55°C | | 25 | 1000 | | 25 | 1775 | | |
| | | 125°C | | 25 | 200 | | 25 | 380 | | |
| CMRR Common-mode rejection ratio | V _{IC} = V _{ICRmin} | 25°C | | 65 | 94 | | 65 | 97 | dB | |
| | | -55°C | | 60 | 95 | | 60 | 97 | | |
| | | 125°C | | 60 | 85 | | 60 | 91 | | |
| k _{SVR} Supply-voltage rejection ratio (ΔV _{DD} /ΔV _{IO}) | V _{DD} = 5 V to 10 V V _O = 1.4 V | 25°C | | 70 | 97 | | 70 | 97 | dB | |
| | | -55°C | | 60 | 97 | | 60 | 97 | | |
| | | 125°C | | 60 | 98 | | 60 | 98 | | |
| I _{I(SEL)} Input current (BIAS SELECT) | V _{I(SEL)} = V _{DD} | 25°C | | | 65 | | | 95 | nA | |
| I _{DD} Supply current | V _O = V _{DD} /2, V _{IC} = V _{DD} /2, No load | 25°C | | | 10 | 17 | | 14 | 23 | μA |
| | | -55°C | | | 17 | 30 | | 28 | 48 | |
| | | 125°C | | | 7 | 12 | | 9 | 15 | |

† Full range is -55°C to 125°C.

NOTES: 4. The typical values of input bias current and input offset current below 5 pA were determined mathematically.

5. This range also applies to each input individually.

6. At V_{DD} = 5 V, V_O = 0.25 V to 2 V; at V_{DD} = 10 V, V_O = 1 V to 6 V.



LOW-BIAS MODE

operating characteristics at specified free-air temperature, $V_{DD} = 5\text{ V}$

| PARAMETER | TEST CONDITIONS | T_A | TLC271C, TLC271AC, TLC271BC | | | UNIT |
|---|---|---|--------------------------------|------|-----|------------------------|
| | | | MIN | TYP | MAX | |
| SR Slew rate at unity gain | $R_L = 1\text{ M}\Omega$, $C_L = 20\text{ pF}$, See Figure 98 | $V_{I(PP)} = 1\text{ V}$ | 25°C | 0.03 | | V/ μ s |
| | | | 0°C | 0.04 | | |
| | | | 70°C | 0.03 | | |
| | | $V_{I(PP)} = 2.5\text{ V}$ | 25°C | 0.03 | | |
| | | | 0°C | 0.03 | | |
| | | | 70°C | 0.02 | | |
| V_n Equivalent input noise voltage | $f = 1\text{ kHz}$, See Figure 99 | $R_S = 20\ \Omega$, | 25°C | 68 | | nV/ $\sqrt{\text{Hz}}$ |
| B_{OM} Maximum output-swing bandwidth | $V_O = V_{OH}$, $R_L = 1\text{ M}\Omega$, | $C_L = 20\text{ pF}$, See Figure 98 | 25°C | 5 | | kHz |
| | | | 0°C | 6 | | |
| | | | 70°C | 4.5 | | |
| B_1 Unity-gain bandwidth | $V_I = 10\text{ mV}$, See Figure 100 | $C_L = 20\text{ pF}$, | 25°C | 85 | | kHz |
| | | | 0°C | 100 | | |
| | | | 70°C | 65 | | |
| ϕ_m Phase margin | $V_I = 10\text{ mV}$, $C_L = 20\text{ pF}$, | $f = B_1$, See Figure 100 | 25°C | 34° | | |
| | | | 0°C | 36° | | |
| | | | 70°C | 30° | | |

operating characteristics at specified free-air temperature, $V_{DD} = 10\text{ V}$

| PARAMETER | TEST CONDITIONS | T_A | TLC271C, TLC271AC, TLC271BC | | | UNIT |
|---|---|---|--------------------------------|------|-----|------------------------|
| | | | MIN | TYP | MAX | |
| SR Slew rate at unity gain | $R_L = 1\text{ M}\Omega$, $C_L = 20\text{ pF}$, See Figure 98 | $V_{I(PP)} = 1\text{ V}$ | 25°C | 0.05 | | V/ μ s |
| | | | 0°C | 0.05 | | |
| | | | 70°C | 0.04 | | |
| | | $V_{I(PP)} = 5.5\text{ V}$ | 25°C | 0.04 | | |
| | | | 0°C | 0.05 | | |
| | | | 70°C | 0.04 | | |
| V_n Equivalent input noise voltage | $f = 1\text{ kHz}$, See Figure 99 | $R_S = 20\ \Omega$, | 25°C | 68 | | nV/ $\sqrt{\text{Hz}}$ |
| B_{OM} Maximum output-swing bandwidth | $V_O = V_{OH}$, $R_L = 1\text{ M}\Omega$, | $C_L = 20\text{ pF}$, See Figure 98 | 25°C | 1 | | kHz |
| | | | 0°C | 1.3 | | |
| | | | 70°C | 0.9 | | |
| B_1 Unity-gain bandwidth | $V_I = 10\text{ mV}$, See Figure 100 | $C_L = 20\text{ pF}$, | 25°C | 110 | | kHz |
| | | | 0°C | 125 | | |
| | | | 70°C | 90 | | |
| ϕ_m Phase margin | $V_I = 10\text{ mV}$, $C_L = 20\text{ pF}$, | $f = B_1$, See Figure 100 | 25°C | 38° | | |
| | | | 0°C | 40° | | |
| | | | 70°C | 34° | | |

TLC271, TLC271A, TLC271B
LinCMOS™ PROGRAMMABLE LOW-POWER
OPERATIONAL AMPLIFIERS

SLOS090D – NOVEMBER 1987 – REVISED MARCH 2001

LOW-BIAS MODE

operating characteristics at specified free-air temperature, $V_{DD} = 5\text{ V}$

| PARAMETER | TEST CONDITIONS | T_A | TLC271I, TLC271AI, TLC271BI | | | UNIT |
|---|---|--------------------------------|--------------------------------|------|------------------------|------------------|
| | | | MIN | TYP | MAX | |
| SR Slew rate at unity gain | $R_L = 1\text{ M}\Omega$, $C_L = 20\text{ pF}$, See Figure 98 | $V_{I(PP)} = 1\text{ V}$ | 25°C | 0.03 | | V/ μs |
| | | | -40°C | 0.04 | | |
| | | | 85°C | 0.03 | | |
| | | $V_{I(PP)} = 2.5\text{ V}$ | 25°C | 0.03 | | |
| | | | -40°C | 0.04 | | |
| | | | 85°C | 0.02 | | |
| V_n Equivalent input noise voltage | $f = 1\text{ kHz}$, See Figure 99 | $R_S = 20\ \Omega$, 25°C | 68 | | nV/ $\sqrt{\text{Hz}}$ | |
| B_{OM} Maximum output-swing bandwidth | $V_O = V_{OH}$, $R_L = 1\text{ M}\Omega$, $C_L = 20\text{ pF}$, See Figure 98 | 25°C | 5 | | kHz | |
| | | -40°C | 7 | | | |
| | | 85°C | 4 | | | |
| B_1 Unity-gain bandwidth | $V_I = 10\text{ mV}$, See Figure 100 | $C_L = 20\text{ pF}$, 25°C | 85 | | MHz | |
| | | -40°C | 130 | | | |
| | | 85°C | 55 | | | |
| ϕ_m Phase margin | $V_I = 10\text{ mV}$, $C_L = 20\text{ pF}$, $f = B_1$, See Figure 100 | 25°C | 34° | | | |
| | | -40°C | 38° | | | |
| | | 85°C | 28° | | | |

operating characteristics at specified free-air temperature, $V_{DD} = 10\text{ V}$

| PARAMETER | TEST CONDITIONS | T_A | TLC271C, TLC271AC, TLC271BC | | | UNIT |
|---|---|--------------------------------|--------------------------------|------|------------------------|------------------|
| | | | MIN | TYP | MAX | |
| SR Slew rate at unity gain | $R_L = 1\text{ M}\Omega$, $C_L = 20\text{ pF}$, See Figure 98 | $V_{I(PP)} = 1\text{ V}$ | 25°C | 0.05 | | V/ μs |
| | | | -40°C | 0.06 | | |
| | | | 85°C | 0.03 | | |
| | | $V_{I(PP)} = 5.5\text{ V}$ | 25°C | 0.04 | | |
| | | | -40°C | 0.05 | | |
| | | | 85°C | 0.03 | | |
| V_n Equivalent input noise voltage | $f = 1\text{ kHz}$, See Figure 99 | $R_S = 20\ \Omega$, 25°C | 68 | | nV/ $\sqrt{\text{Hz}}$ | |
| B_{OM} Maximum output-swing bandwidth | $V_O = V_{OH}$, $R_L = 1\text{ M}\Omega$, $C_L = 20\text{ pF}$, See Figure 98 | 25°C | 1 | | kHz | |
| | | -40°C | 1.4 | | | |
| | | 85°C | 0.8 | | | |
| B_1 Unity-gain bandwidth | $V_I = 10\text{ mV}$, See Figure 100 | $C_L = 20\text{ pF}$, 25°C | 110 | | MHz | |
| | | -40°C | 155 | | | |
| | | 85°C | 80 | | | |
| ϕ_m Phase margin | $V_I = 10\text{ mV}$, $C_L = 20\text{ pF}$, $f = B_1$, See Figure 100 | 25°C | 38° | | | |
| | | -40°C | 42° | | | |
| | | 85°C | 32° | | | |



LOW-BIAS MODE

operating characteristics at specified free-air temperature, $V_{DD} = 5\text{ V}$

| PARAMETER | TEST CONDITIONS | T_A | TLC271M | | | UNIT |
|---|---|--------------------------------|---------|------|------------------------|------------|
| | | | MIN | TYP | MAX | |
| SR Slew rate at unity gain | $R_L = 1\text{ M}\Omega$, $C_L = 20\text{ pF}$, See Figure 98 | $V_{I(PP)} = 1\text{ V}$ | 25°C | 0.03 | | V/ μ s |
| | | | -55°C | 0.04 | | |
| | | | 125°C | 0.02 | | |
| | | $V_{I(PP)} = 2.5\text{ V}$ | 25°C | 0.03 | | |
| | | | -55°C | 0.04 | | |
| | | | 125°C | 0.02 | | |
| V_n Equivalent input noise voltage | $f = 1\text{ kHz}$, See Figure 99 | $R_S = 20\ \Omega$, 25°C | 68 | | nV/ $\sqrt{\text{Hz}}$ | |
| B_{OM} Maximum output-swing bandwidth | $V_O = V_{OH}$, $R_L = 1\text{ M}\Omega$, $C_L = 20\text{ pF}$, See Figure 98 | 25°C | 5 | | kHz | |
| | | -55°C | 8 | | | |
| | | 125°C | 3 | | | |
| B_1 Unity-gain bandwidth | $V_I = 10\text{ mV}$, See Figure 100 | $C_L = 20\text{ pF}$, 25°C | 85 | | kHz | |
| | | | -55°C | | | 140 |
| | | | 125°C | | | 45 |
| ϕ_m Phase margin | $V_I = 10\text{ mV}$, $C_L = 20\text{ pF}$, $f = B_1$, See Figure 100 | 25°C | 34° | | | |
| | | -55°C | 39° | | | |
| | | 125°C | 25° | | | |

operating characteristics at specified free-air temperature, $V_{DD} = 10\text{ V}$

| PARAMETER | TEST CONDITIONS | T_A | TLC271M | | | UNIT |
|---|---|--------------------------------|---------|------|------------------------|------------|
| | | | MIN | TYP | MAX | |
| SR Slew rate at unity gain | $R_L = 1\text{ M}\Omega$, $C_L = 20\text{ pF}$, See Figure 98 | $V_{I(PP)} = 1\text{ V}$ | 25°C | 0.05 | | V/ μ s |
| | | | -55°C | 0.06 | | |
| | | | 125°C | 0.03 | | |
| | | $V_{I(PP)} = 5.5\text{ V}$ | 25°C | 0.04 | | |
| | | | -55°C | 0.06 | | |
| | | | 125°C | 0.03 | | |
| V_n Equivalent input noise voltage | $f = 1\text{ kHz}$, See Figure 99 | $R_S = 20\ \Omega$, 25°C | 68 | | nV/ $\sqrt{\text{Hz}}$ | |
| B_{OM} Maximum output-swing bandwidth | $V_O = V_{OH}$, $R_L = 1\text{ M}\Omega$, $C_L = 20\text{ pF}$, See Figure 98 | 25°C | 1 | | kHz | |
| | | -55°C | 1.5 | | | |
| | | 125°C | 0.7 | | | |
| B_1 Unity-gain bandwidth | $V_I = 10\text{ mV}$, See Figure 100 | $C_L = 20\text{ pF}$, 25°C | 110 | | kHz | |
| | | | -55°C | | | 165 |
| | | | 125°C | | | 70 |
| ϕ_m Phase margin | $V_I = 10\text{ mV}$, $C_L = 20\text{ pF}$, $f = B_1$, See Figure 100 | 25°C | 38° | | | |
| | | -55°C | 43° | | | |
| | | 125°C | 29° | | | |

TLC271, TLC271A, TLC271B
LinCMOS™ PROGRAMMABLE LOW-POWER
OPERATIONAL AMPLIFIERS

SLOS090D – NOVEMBER 1987 – REVISED MARCH 2001

TYPICAL CHARACTERISTICS (LOW-BIAS MODE)

Table of Graphs

| | | FIGURE | |
|----------------|---|-------------------------------|--------|
| V_{IO} | Input offset voltage | Distribution | 66, 67 |
| α_{VIO} | Temperature coefficient | Distribution | 68, 69 |
| V_{OH} | High-level output voltage | vs High-level output current | 70, 71 |
| | | vs Supply voltage | 72 |
| | | vs Free-air temperature | 73 |
| V_{OL} | Low-level output voltage | vs Common-mode input voltage | 74, 75 |
| | | vs Differential input voltage | 76 |
| | | vs Free-air temperature | 77 |
| | | vs Low-level output current | 78, 79 |
| A_{VD} | Large-signal differential voltage amplification | vs Supply voltage | 80 |
| | | vs Free-air temperature | 81 |
| | | vs Frequency | 92, 93 |
| I_{IB} | Input bias current | vs Free-air temperature | 82 |
| I_{IO} | Input offset current | vs Free-air temperature | 82 |
| V_I | Maximum input voltage | vs Supply voltage | 83 |
| I_{DD} | Supply current | vs Supply voltage | 84 |
| | | vs Free-air temperature | 85 |
| SR | Slew rate | vs Supply voltage | 86 |
| | | vs Free-air temperature | 87 |
| | Bias-select current | vs Supply voltage | 88 |
| $V_{O(PP)}$ | Maximum peak-to-peak output voltage | vs Frequency | 89 |
| B_1 | Unity-gain bandwidth | vs Free-air temperature | 90 |
| | | vs Supply voltage | 91 |
| ϕ_m | Phase margin | vs Supply voltage | 94 |
| | | vs Free-air temperature | 95 |
| | | vs Capacitive load | 96 |
| V_n | Equivalent input noise voltage | vs Frequency | 97 |
| | | Phase shift | 92, 93 |



TYPICAL CHARACTERISTICS (LOW-BIAS MODE)†

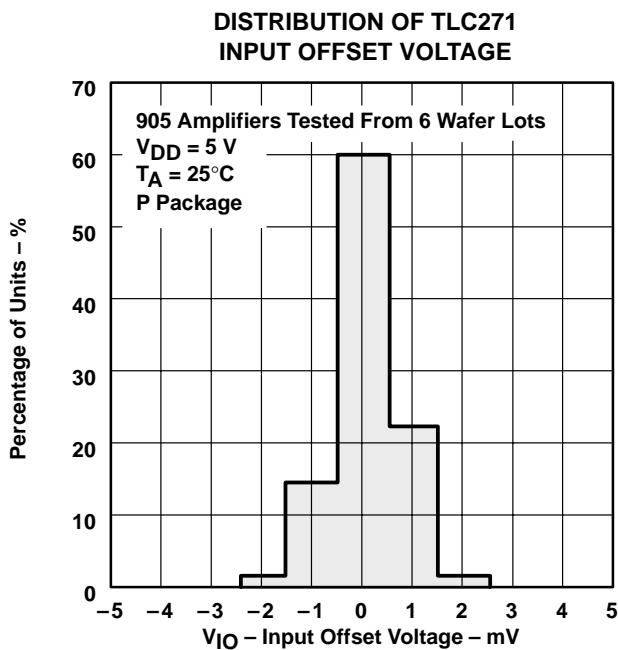


Figure 66

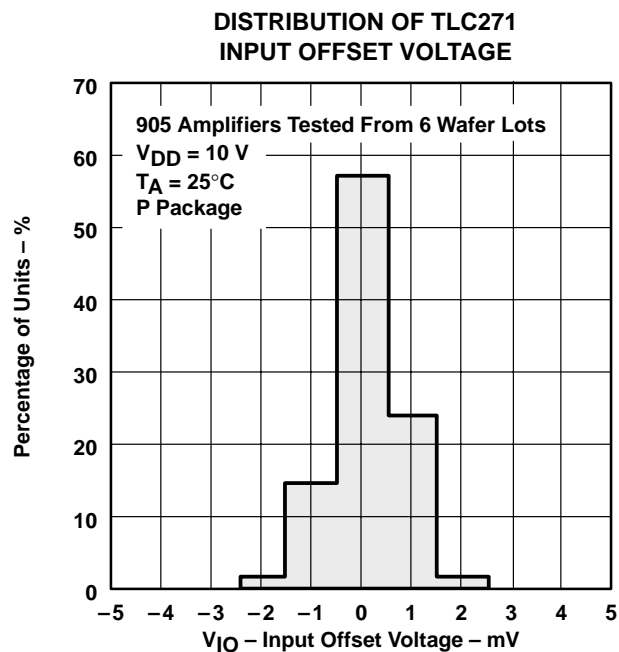


Figure 67

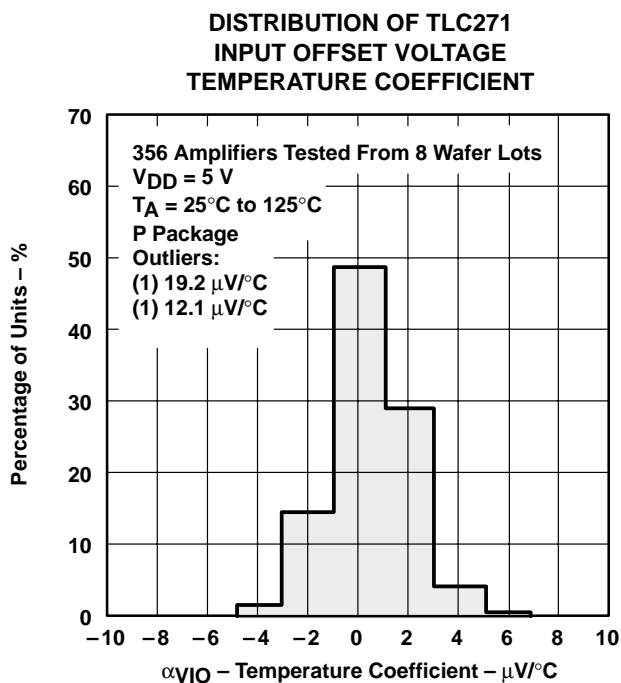


Figure 68

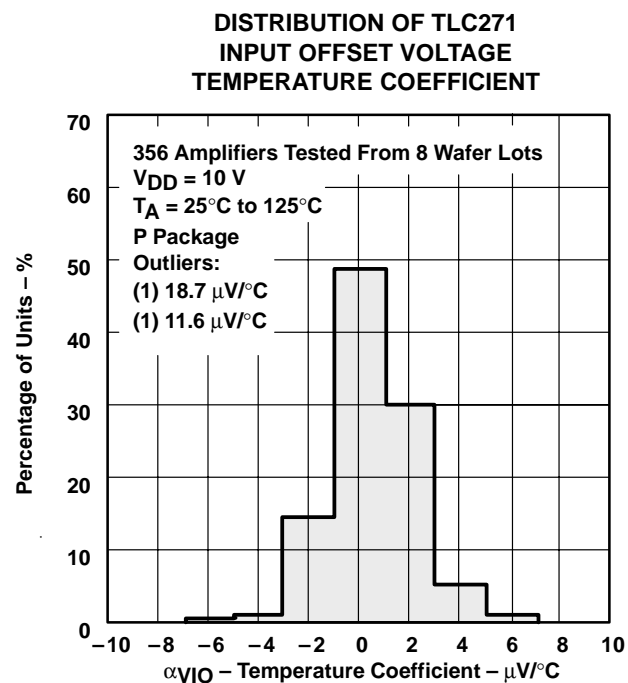
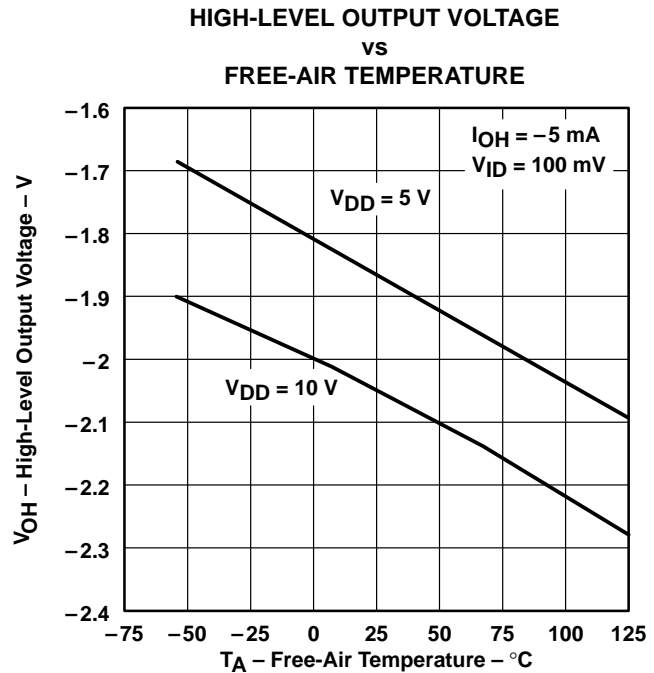
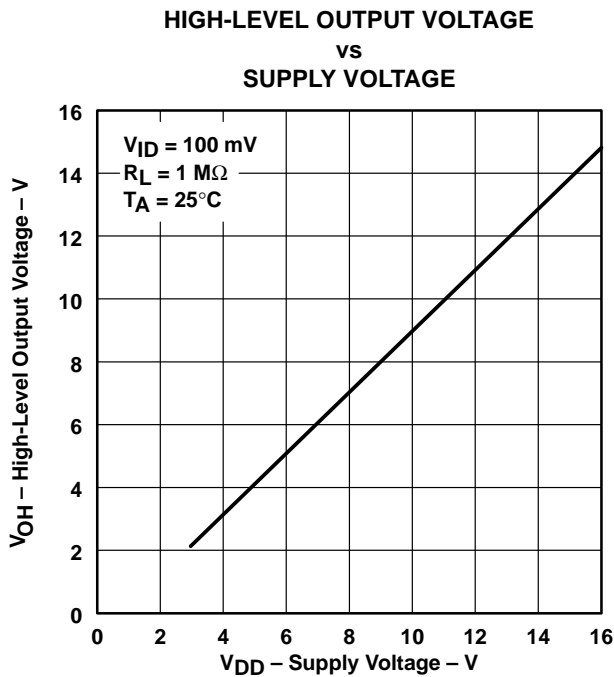
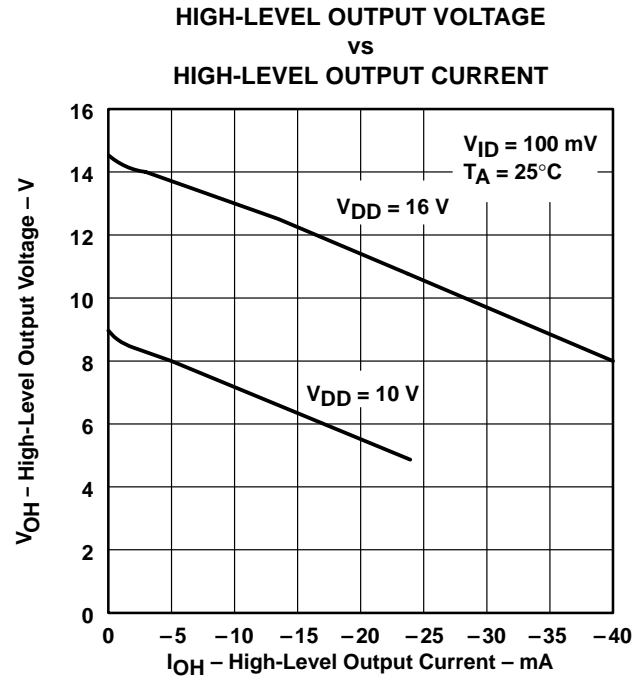
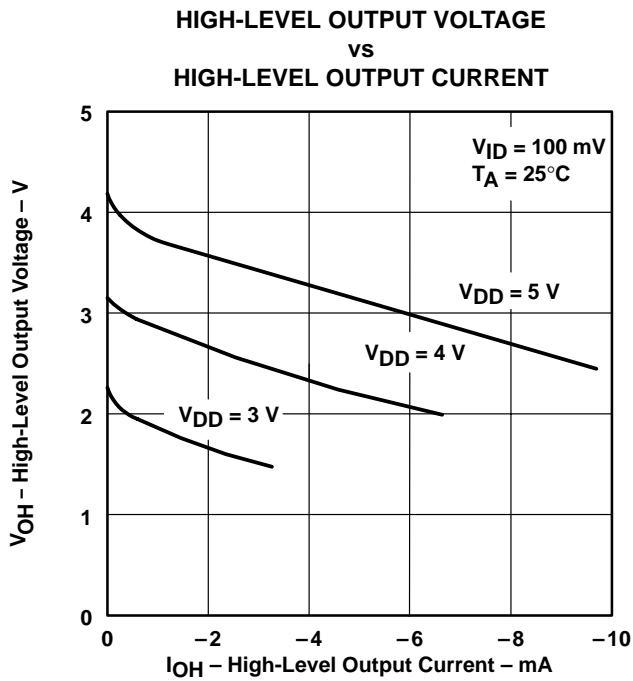


Figure 69

† Data at high and low temperatures are applicable only within the rated operating free-air temperature ranges of the various devices.

TYPICAL CHARACTERISTICS (LOW-BIAS MODE)†



† Data at high and low temperatures are applicable only within the rated operating free-air temperature ranges of the various devices.

TYPICAL CHARACTERISTICS (LOW-BIAS MODE)†

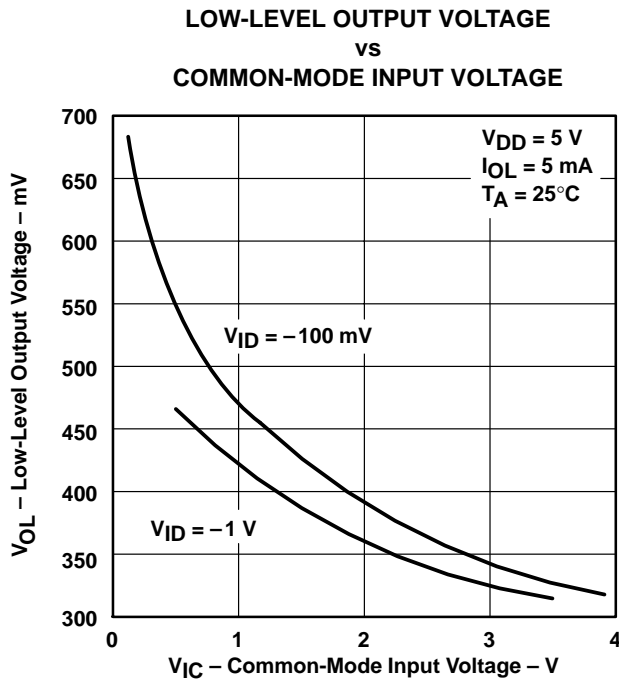


Figure 74

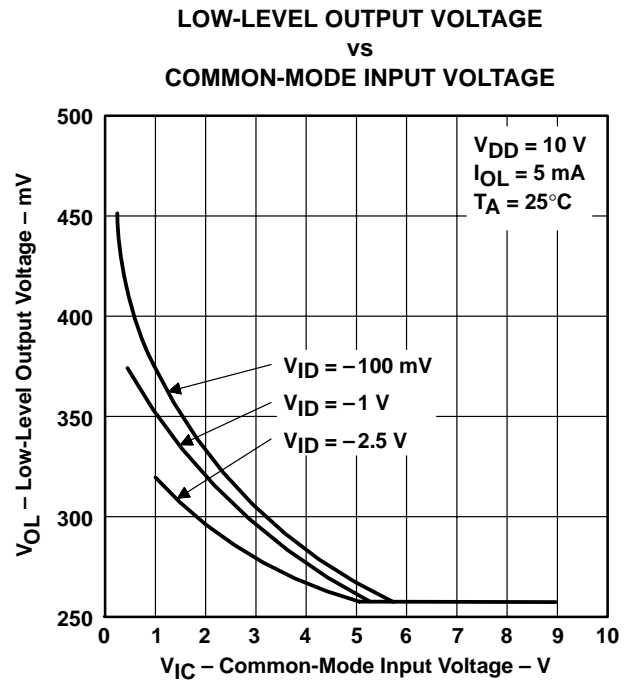


Figure 75

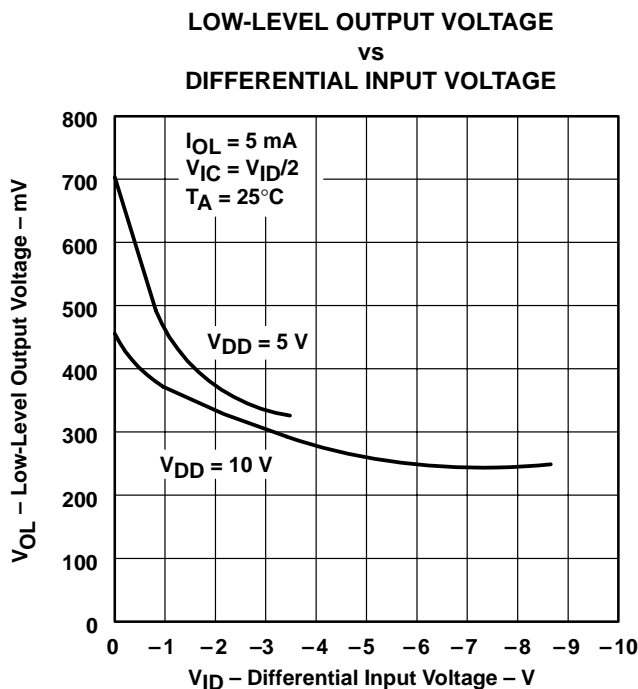


Figure 76

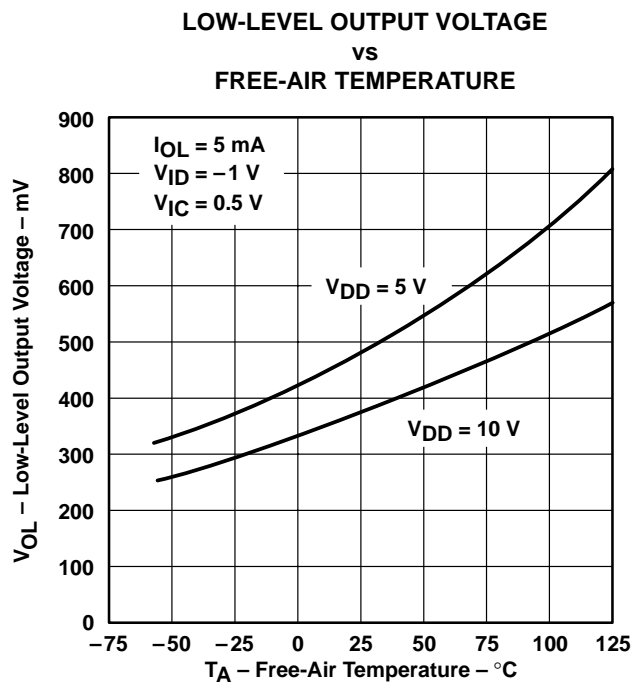


Figure 77

† Data at high and low temperatures are applicable only within the rated operating free-air temperature ranges of the various devices.

TYPICAL CHARACTERISTICS (LOW-BIAS MODE)†

**LOW-LEVEL OUTPUT VOLTAGE
 vs
 LOW-LEVEL OUTPUT CURRENT**

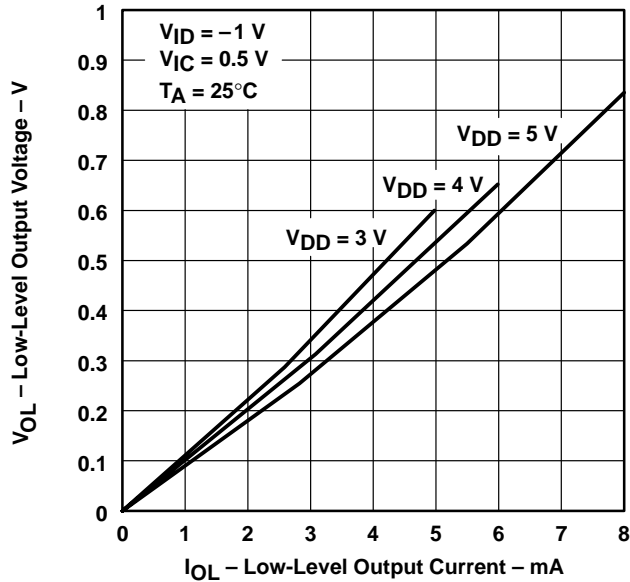


Figure 78

**LOW-LEVEL OUTPUT VOLTAGE
 vs
 LOW-LEVEL OUTPUT CURRENT**

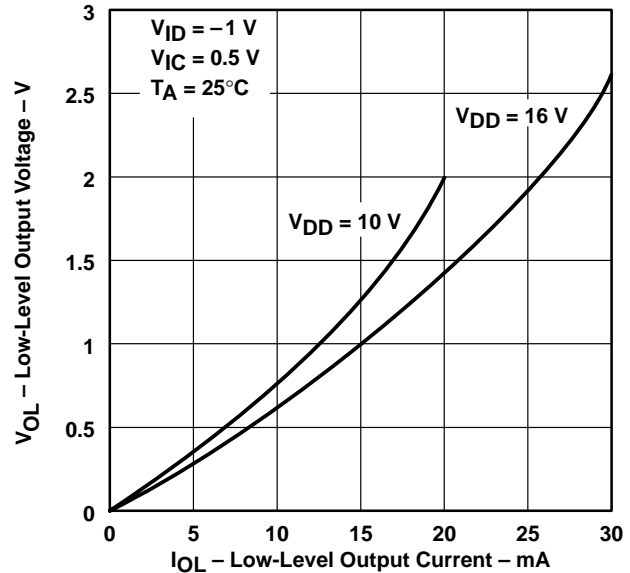


Figure 79

**LARGE-SIGNAL
 DIFFERENTIAL VOLTAGE AMPLIFICATION
 vs
 SUPPLY VOLTAGE**

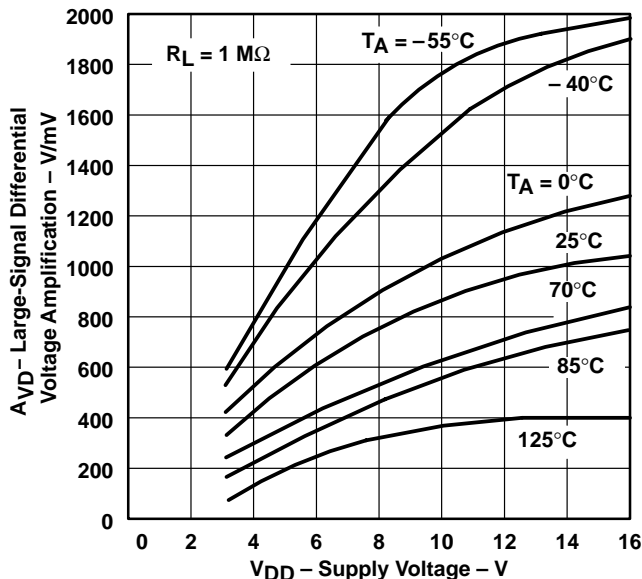


Figure 80

**LARGE-SIGNAL
 DIFFERENTIAL VOLTAGE AMPLIFICATION
 vs
 FREE-AIR TEMPERATURE**

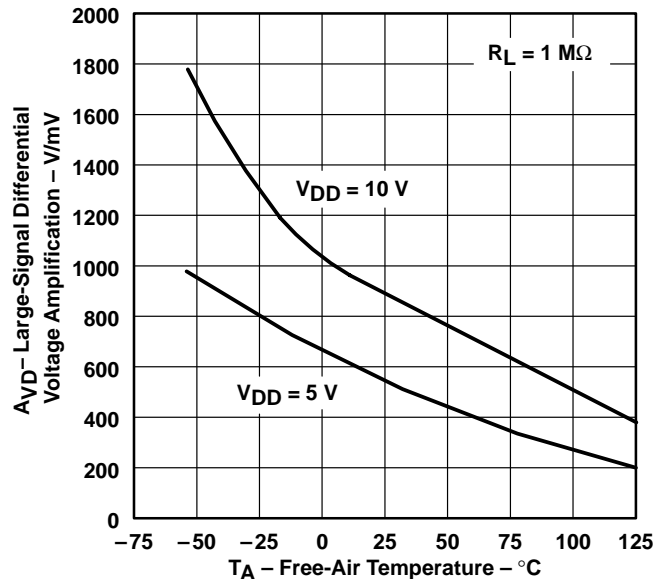
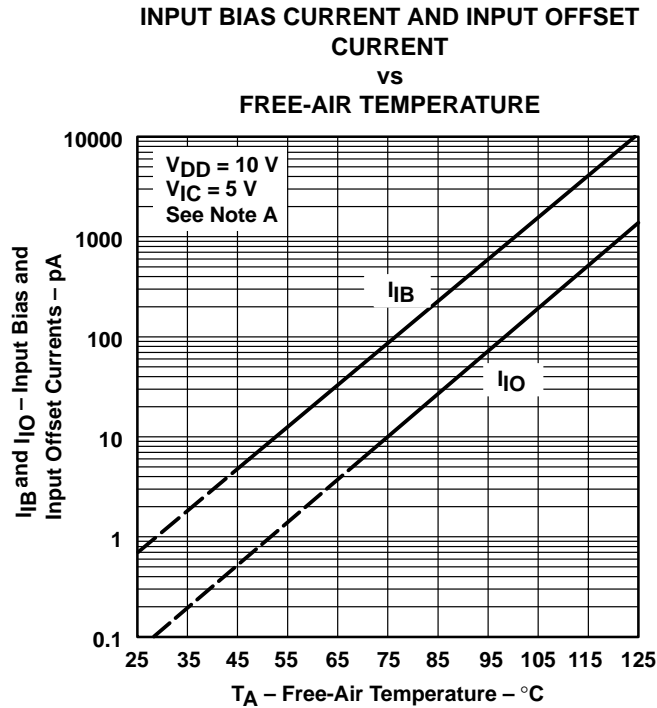


Figure 81

† Data at high and low temperatures are applicable only within the rated operating free-air temperature ranges of the various devices.

TYPICAL CHARACTERISTICS (LOW-BIAS MODE)†



NOTE A: The typical values of input bias current and input offset current below 5 pA were determined mathematically.

Figure 82

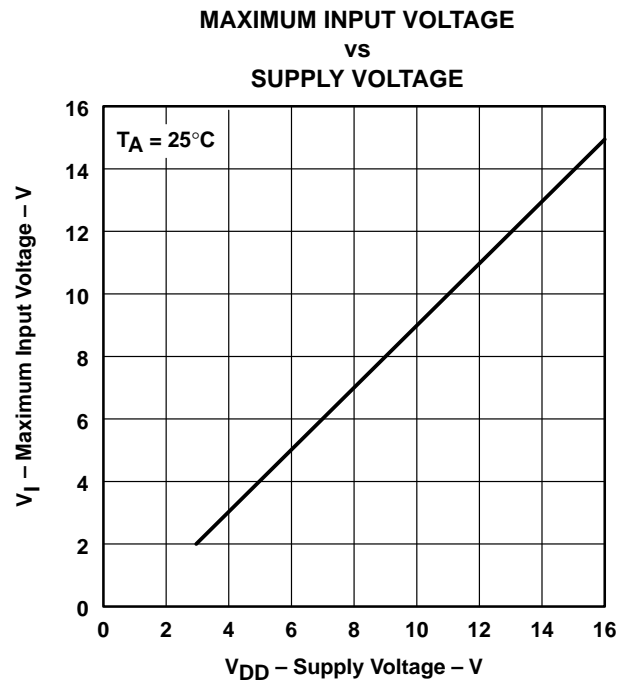


Figure 83

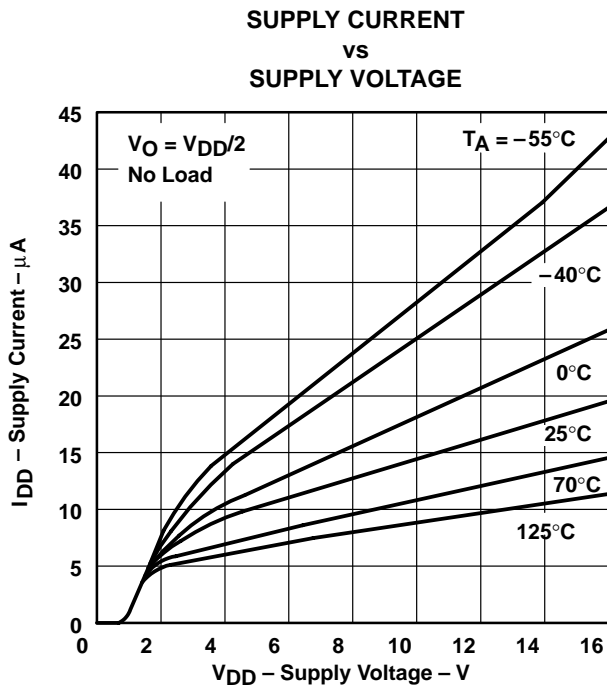


Figure 84

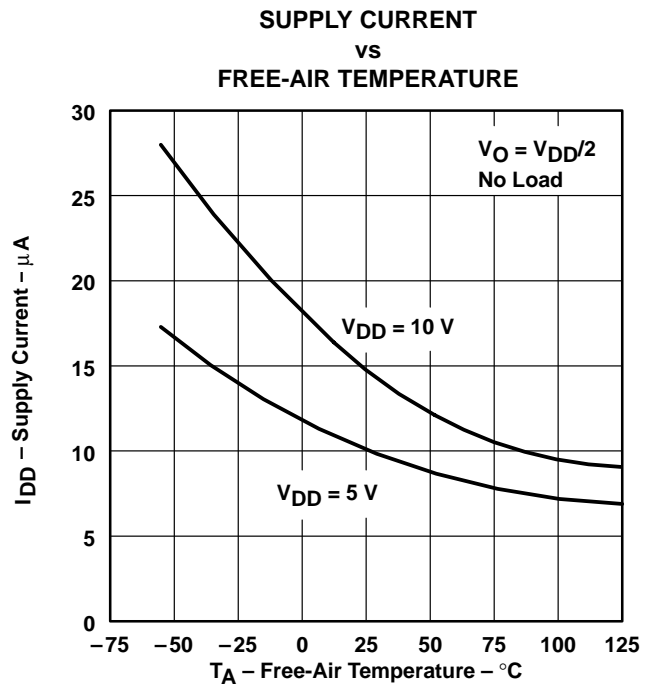


Figure 85

† Data at high and low temperatures are applicable only within the rated operating free-air temperature ranges of the various devices.

TYPICAL CHARACTERISTICS (LOW-BIAS MODE)†

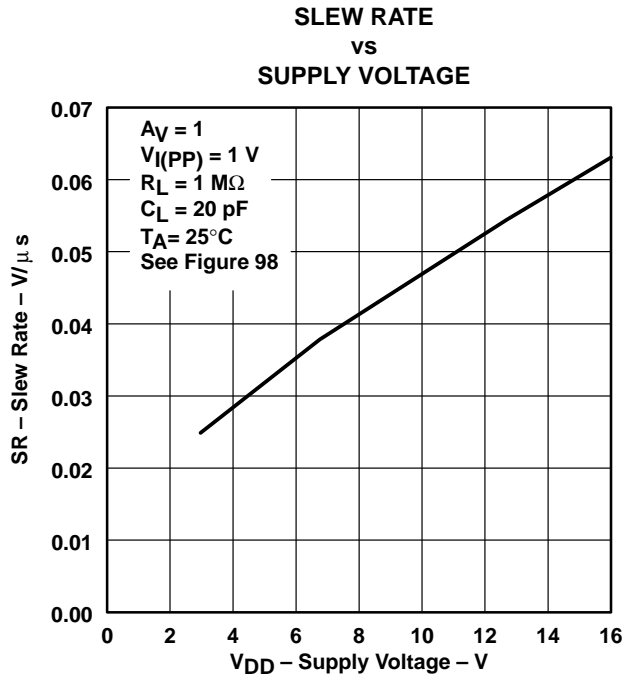


Figure 86

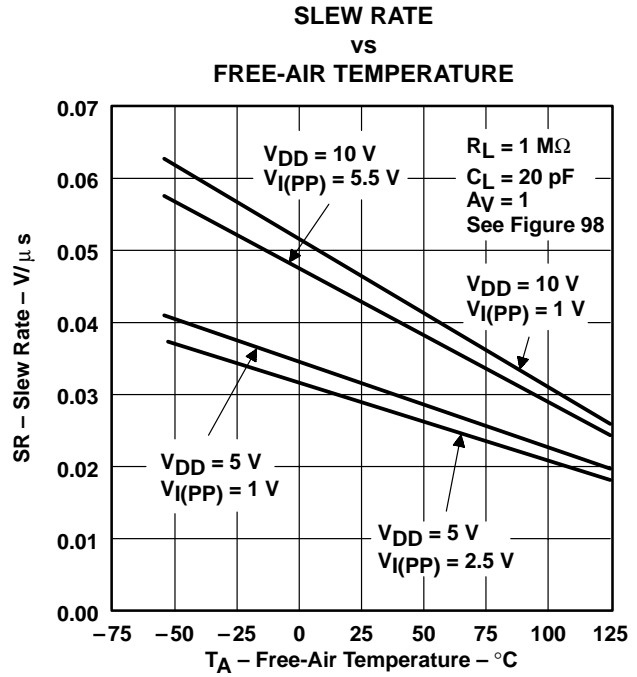


Figure 87

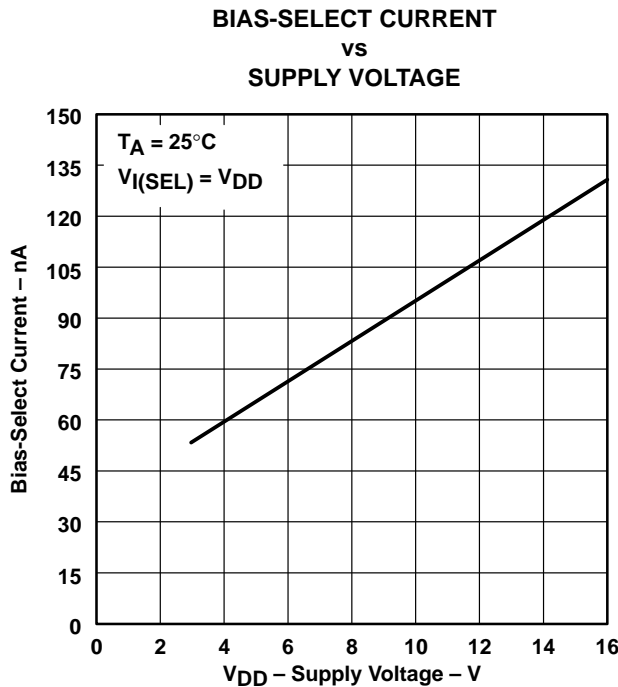


Figure 88

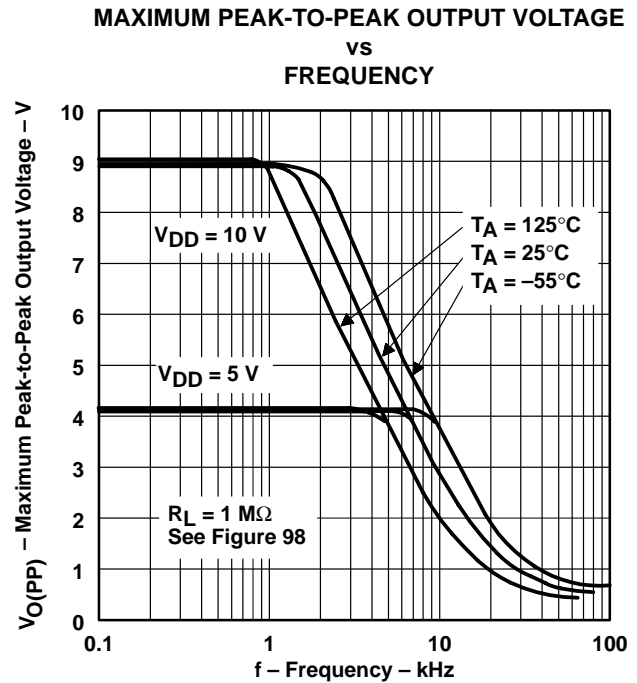


Figure 89

† Data at high and low temperatures are applicable only within the rated operating free-air temperature ranges of the various devices.

TYPICAL CHARACTERISTICS (LOW-BIAS MODE)†

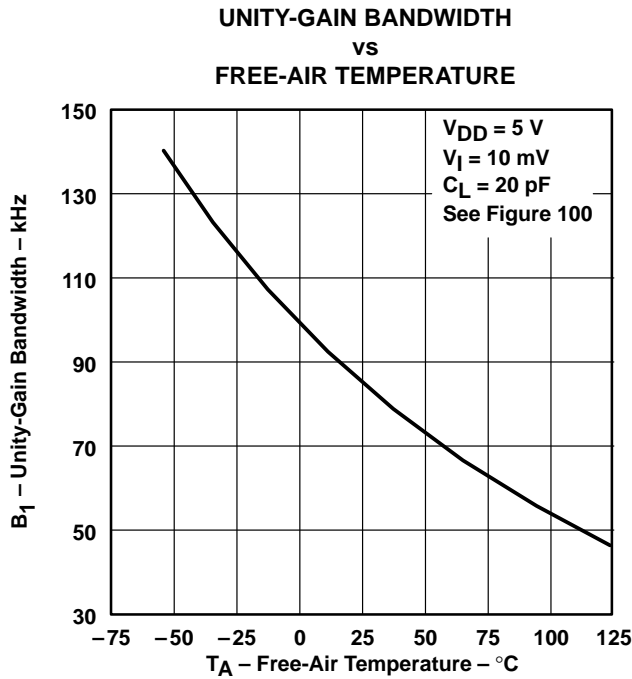


Figure 90

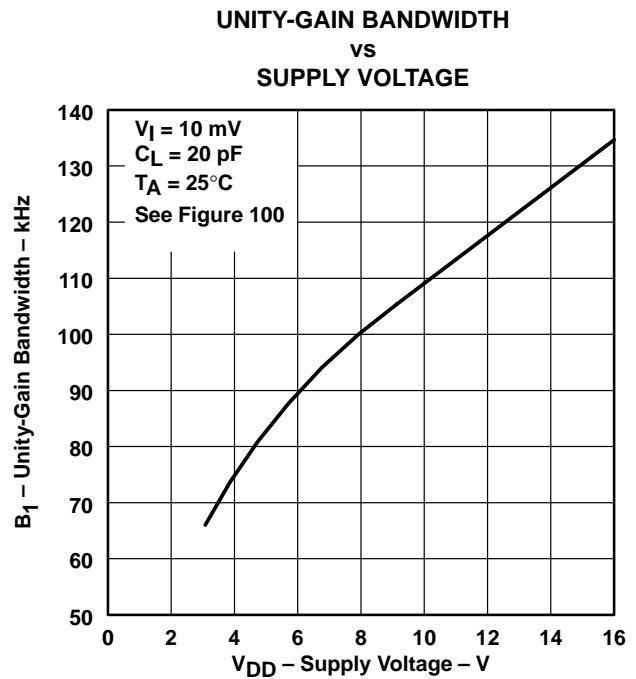


Figure 91

**LARGE-SIGNAL DIFFERENTIAL VOLTAGE
 AMPLIFICATION AND PHASE SHIFT
 vs
 FREQUENCY**

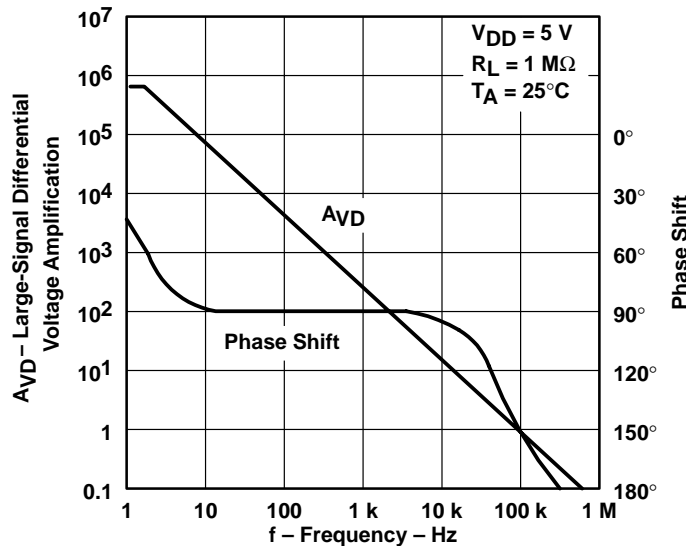


Figure 92

† Data at high and low temperatures are applicable only within the rated operating free-air temperature ranges of the various devices.

TYPICAL CHARACTERISTICS (LOW-BIAS MODE)†

**LARGE-SIGNAL DIFFERENTIAL VOLTAGE
 AMPLIFICATION AND PHASE SHIFT**

vs
FREQUENCY

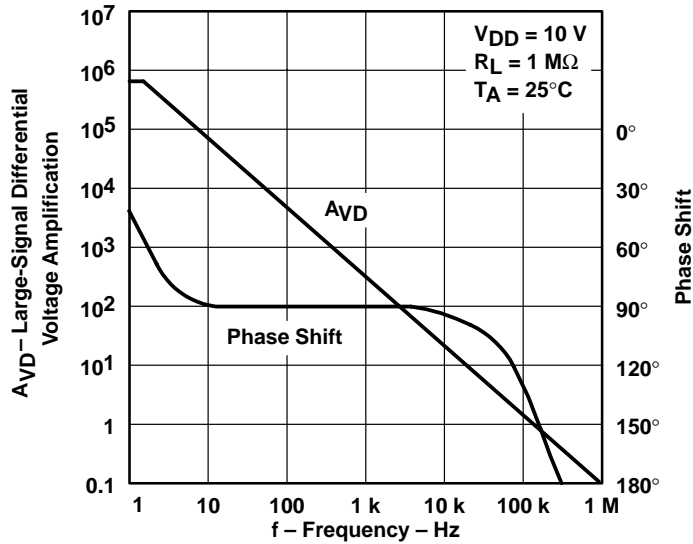


Figure 93

**PHASE MARGIN
 vs
 SUPPLY VOLTAGE**

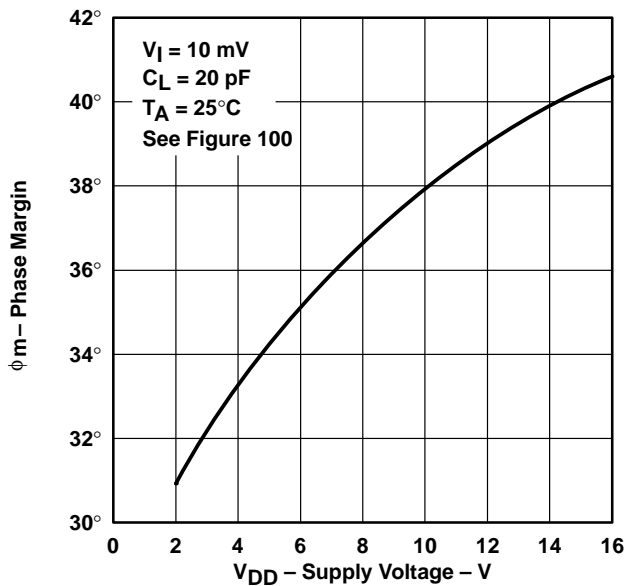


Figure 94

**PHASE MARGIN
 vs
 FREE-AIR TEMPERATURE**

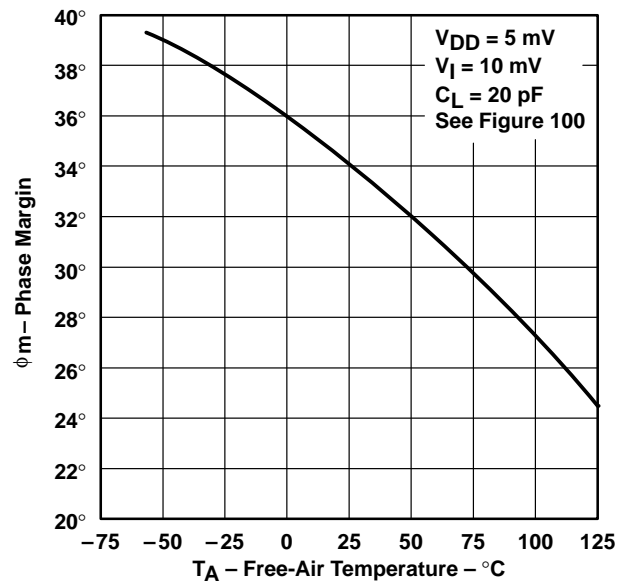


Figure 95

† Data at high and low temperatures are applicable only within the rated operating free-air temperature ranges of the various devices.

TYPICAL CHARACTERISTICS (LOW-BIAS MODE)†

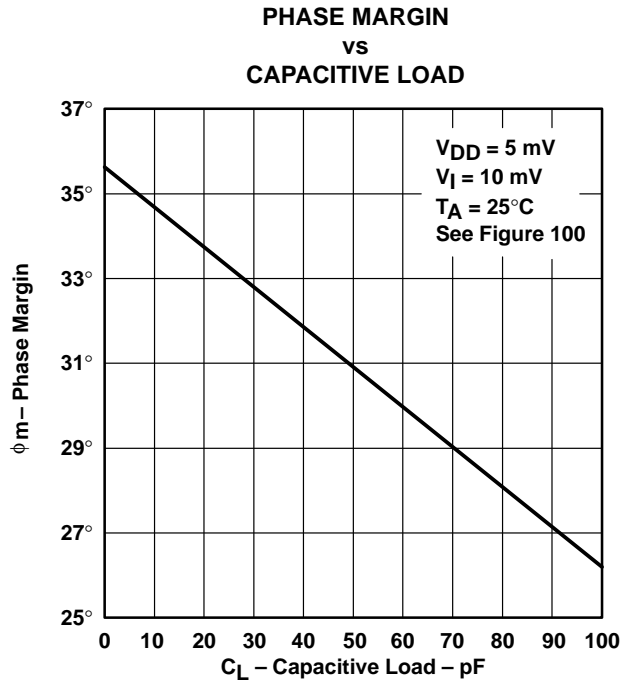


Figure 96

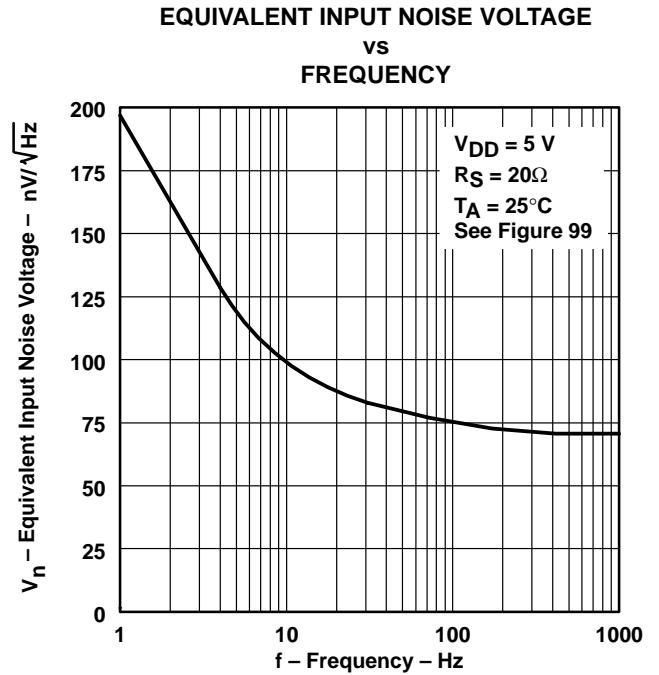


Figure 97

† Data at high and low temperatures are applicable only within the rated operating free-air temperature ranges of the various devices.

PARAMETER MEASUREMENT INFORMATION

single-supply versus split-supply test circuits

Because the TLC271 is optimized for single-supply operation, circuit configurations used for the various tests often present some inconvenience since the input signal, in many cases, must be offset from ground. This inconvenience can be avoided by testing the device with split supplies and the output load tied to the negative rail. A comparison of single-supply versus split-supply test circuits is shown below. The use of either circuit gives the same result.

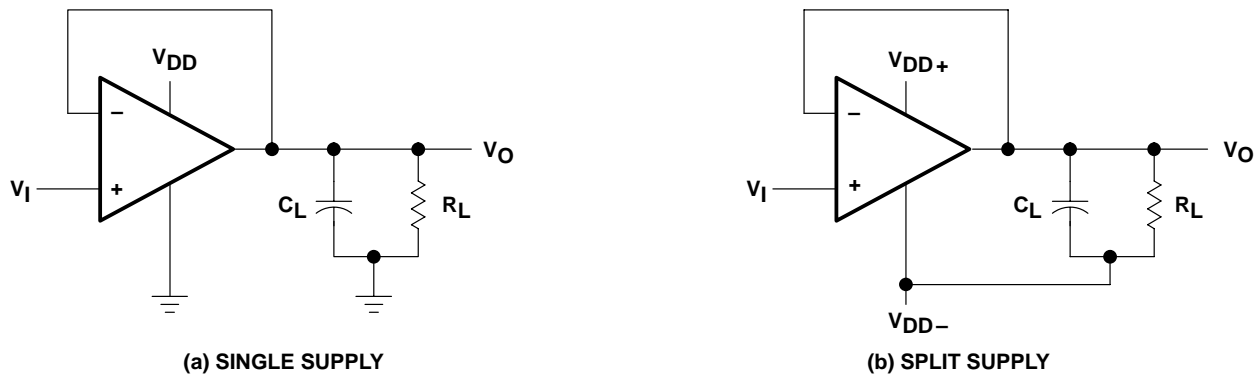


Figure 98. Unity-Gain Amplifier

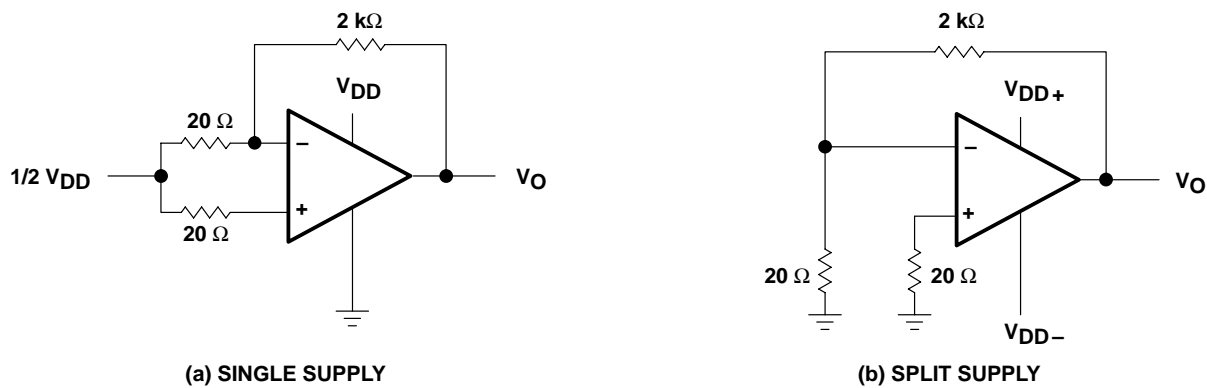


Figure 99. Noise-Test Circuit

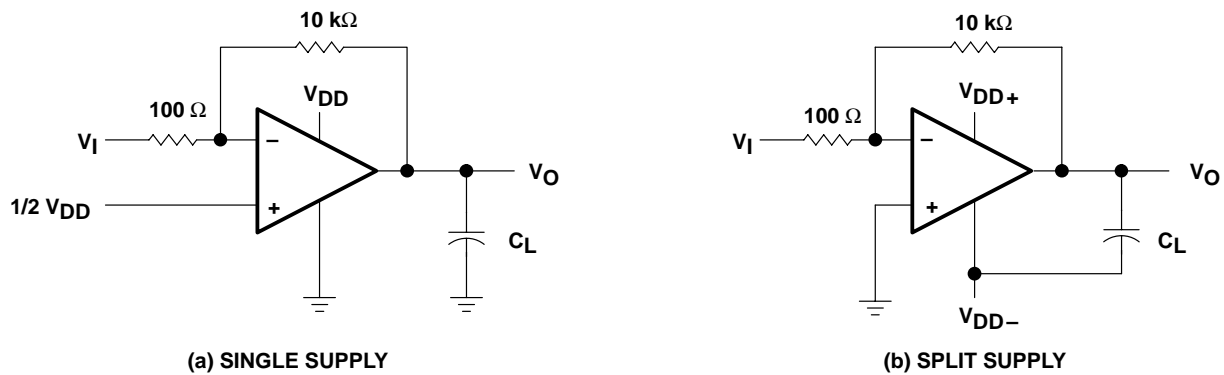


Figure 100. Gain-of-100 Inverting Amplifier

PARAMETER MEASUREMENT INFORMATION

input bias current

Because of the high input impedance of the TLC271 operational amplifiers, attempts to measure the input bias current can result in erroneous readings. The bias current at normal room ambient temperature is typically less than 1 pA, a value that is easily exceeded by leakages on the test socket. Two suggestions are offered to avoid erroneous measurements:

1. Isolate the device from other potential leakage sources. Use a grounded shield around and between the device inputs (see Figure 101). Leakages that would otherwise flow to the inputs are shunted away.
2. Compensate for the leakage of the test socket by actually performing an input bias current test (using a picoammeter) with no device in the test socket. The actual input bias current can then be calculated by subtracting the open-socket leakage readings from the readings obtained with a device in the test socket.

One word of caution: many automatic testers as well as some bench-top operational amplifier testers use the servo-loop technique with a resistor in series with the device input to measure the input bias current (the voltage drop across the series resistor is measured and the bias current is calculated). This method requires that a device be inserted into the test socket to obtain a correct reading; therefore, an open-socket reading is not feasible using this method.

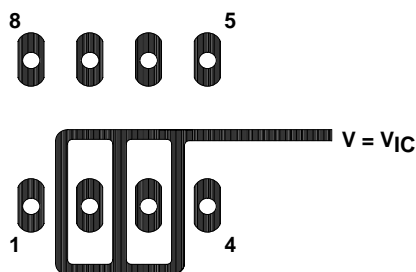


Figure 101. Isolation Metal Around Device inputs (JG and P packages)

low-level output voltage

To obtain low-supply-voltage operation, some compromise is necessary in the input stage. This compromise results in the device low-level output being dependent on both the common-mode input voltage level as well as the differential input voltage level. When attempting to correlate low-level output readings with those quoted in the electrical specifications, these two conditions should be observed. If conditions other than these are to be used, please refer to the Typical Characteristics section of this data sheet.

input offset voltage temperature coefficient

Erroneous readings often result from attempts to measure temperature coefficient of input offset voltage. This parameter is actually a calculation using input offset voltage measurements obtained at two different temperatures. When one (or both) of the temperatures is below freezing, moisture can collect on both the device and the test socket. This moisture results in leakage and contact resistance which can cause erroneous input offset voltage readings. The isolation techniques previously mentioned have no effect on the leakage since the moisture also covers the isolation metal itself, thereby rendering it useless. It is suggested that these measurements be performed at temperatures above freezing to minimize error.

PARAMETER MEASUREMENT INFORMATION

full-power response

Full-power response, the frequency above which the amplifier slew rate limits the output voltage swing, is often specified two ways: full-linear response and full-peak response. The full-linear response is generally measured by monitoring the distortion level of the output while increasing the frequency of a sinusoidal input signal until the maximum frequency is found above which the output contains significant distortion. The full-peak response is defined as the maximum output frequency, without regard to distortion, above which full peak-to-peak output swing cannot be maintained.

Because there is no industry-wide accepted value for significant distortion, the full-peak response is specified in this data sheet and is measured using the circuit of Figure 98. The initial setup involves the use of a sinusoidal input to determine the maximum peak-to-peak output of the device (the amplitude of the sinusoidal wave is increased until clipping occurs). The sinusoidal wave is then replaced with a square wave of the same amplitude. The frequency is then increased until the maximum peak-to-peak output can no longer be maintained (Figure 102). A square wave is used to allow a more accurate determination of the point at which the maximum peak-to-peak output is reached.

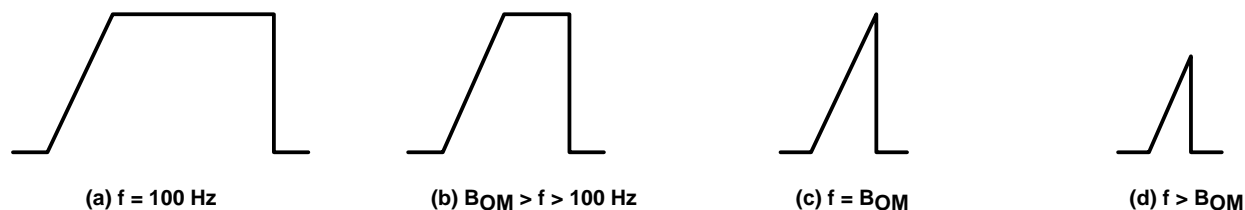


Figure 102. Full-Power-Response Output Signal

test time

Inadequate test time is a frequent problem, especially when testing CMOS devices in a high-volume, short-test-time environment. Internal capacitances are inherently higher in CMOS than in bipolar and BiFET devices, and require longer test times than their bipolar and BiFET counterparts. The problem becomes more pronounced with reduced supply levels and lower temperatures.

APPLICATION INFORMATION

single-supply operation

While the TLC271 performs well using dual power supplies (also called balanced or split supplies), the design is optimized for single-supply operation. This includes an input common mode voltage range that encompasses ground as well as an output voltage range that pulls down to ground. The supply voltage range extends down to 3 V (C-suffix types), thus allowing operation with supply levels commonly available for TTL and HCMOS; however, for maximum dynamic range, 16-V single-supply operation is recommended.

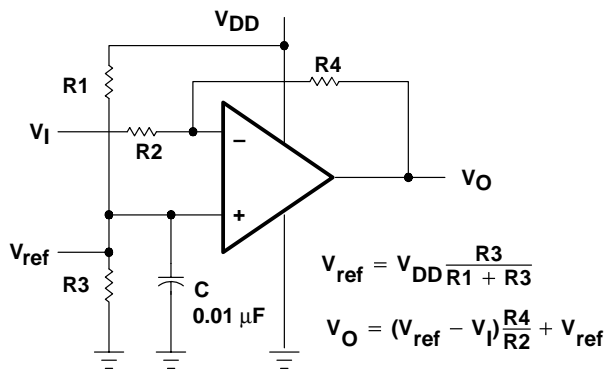


Figure 103. Inverting Amplifier With Voltage Reference

APPLICATION INFORMATION

single-supply operation (continued)

Many single-supply applications require that a voltage be applied to one input to establish a reference level that is above ground. A resistive voltage divider is usually sufficient to establish this reference level (see Figure 103). The low input bias current consumption of the TLC271 permits the use of very large resistive values to implement the voltage divider, thus minimizing power consumption.

The TLC271 works well in conjunction with digital logic; however, when powering both linear devices and digital logic from the same power supply, the following precautions are recommended:

1. Power the linear devices from separate bypassed supply lines (see Figure 104); otherwise, the linear device supply rails can fluctuate due to voltage drops caused by high switching currents in the digital logic.
2. Use proper bypass techniques to reduce the probability of noise-induced errors. Single capacitive decoupling is often adequate; however, RC decoupling may be necessary in high-frequency applications.

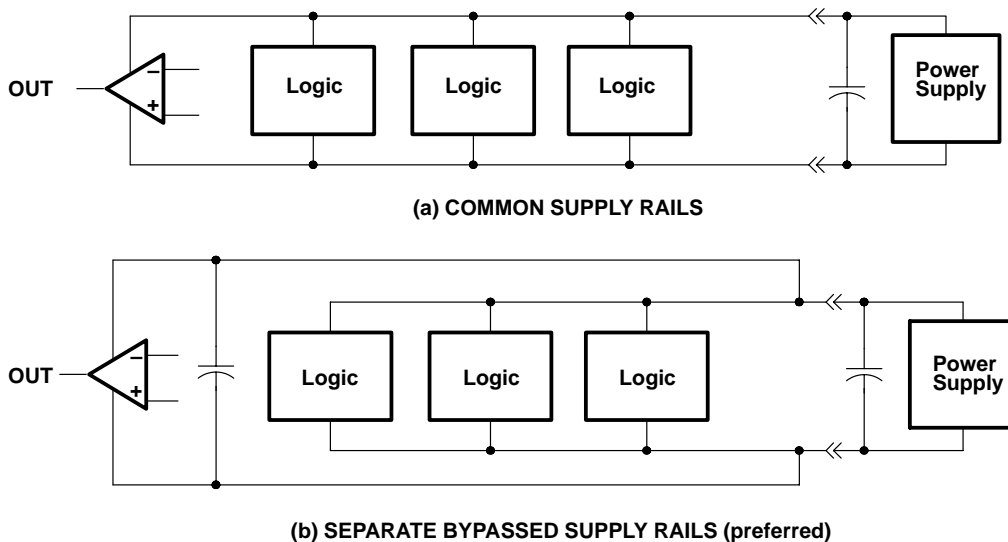


Figure 104. Common Versus Separate Supply Rails

APPLICATION INFORMATION

input offset voltage nulling

The TLC271 offers external input offset null control. Nulling of the input offset voltage may be achieved by adjusting a 25-kΩ potentiometer connected between the offset null terminals with the wiper connected as shown in Figure 105. The amount of nulling range varies with the bias selection. In the high-bias mode, the nulling range allows the maximum offset voltage specified to be trimmed to zero. In low-bias and medium-bias modes, total nulling may not be possible.

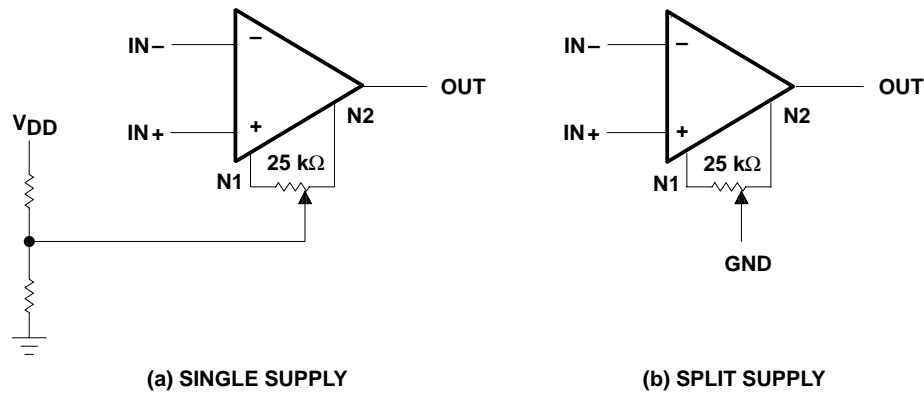
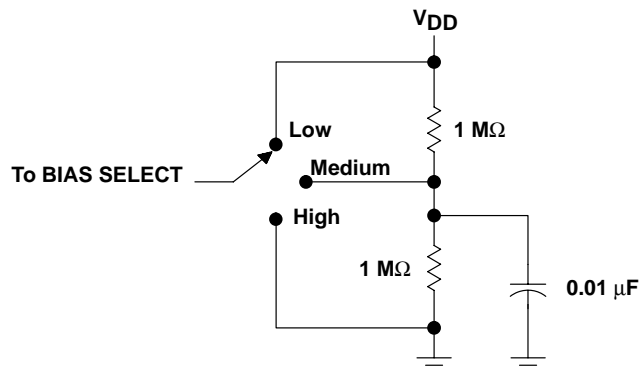


Figure 105. Input Offset Voltage Null Circuit

bias selection

Bias selection is achieved by connecting the bias select pin to one of the three voltage levels (see Figure 106). For medium-bias applications, R is recommended that the bias select pin be connected to the mid-point between the supply rails. This is a simple procedure in split-supply applications, since this point is ground. In single-supply applications, the medium-bias mode necessitates using a voltage divider as indicated. The use of large-value resistors in the voltage divider reduces the current drain of the divider from the supply line. However, large-value resistors used in conjunction with a large-value capacitor requires significant time to charge up to the supply midpoint after the supply is switched on. A voltage other than the midpoint may be used if it is within the voltages specified in the table of Figure 106.



| BIAS MODE | BIAS-SELECT VOLTAGE (single supply) |
|-----------|-------------------------------------|
| Low | V_{DD} |
| Medium | 1 V to $V_{DD} - 1$ V |
| High | GND |

Figure 106. Bias Selection for Single-Supply Applications

APPLICATION INFORMATION

input characteristics

The TLC271 is specified with a minimum and a maximum input voltage that, if exceeded at either input, could cause the device to malfunction. Exceeding this specified range is a common problem, especially in single-supply operation. Note that the lower range limit includes the negative rail, while the upper range limit is specified at $V_{DD} - 1\text{ V}$ at $T_A = 25^\circ\text{C}$ and at $V_{DD} - 1.5\text{ V}$ at all other temperatures.

The use of the polysilicon-gate process and the careful input circuit design gives the TLC271 very good input offset voltage drift characteristics relative to conventional metal-gate processes. Offset voltage drift in CMOS devices is highly influenced by threshold voltage shifts caused by polarization of the phosphorus dopant implanted in the oxide. Placing the phosphorus dopant in a conductor (such as a polysilicon gate) alleviates the polarization problem, thus reducing threshold voltage shifts by more than an order of magnitude. The offset voltage drift with time has been calculated to be typically $0.1\ \mu\text{V}/\text{month}$, including the first month of operation.

Because of the extremely high input impedance and resulting low bias current requirements, the TLC271 is well suited for low-level signal processing; however, leakage currents on printed circuit boards and sockets can easily exceed bias current requirements and cause a degradation in device performance. It is good practice to include guard rings around inputs (similar to those of Figure 101 in the Parameter Measurement Information section). These guards should be driven from a low-impedance source at the same voltage level as the common-mode input (see Figure 107).

The inputs of any unused amplifiers should be tied to ground to avoid possible oscillation.

noise performance

The noise specifications in operational amplifier circuits are greatly dependent on the current in the first-stage differential amplifier. The low input bias current requirements of the TLC271 results in a very low noise current, which is insignificant in most applications. This feature makes the devices especially favorable over bipolar devices when using values of circuit impedance greater than $50\ \text{k}\Omega$, since bipolar devices exhibit greater noise currents.

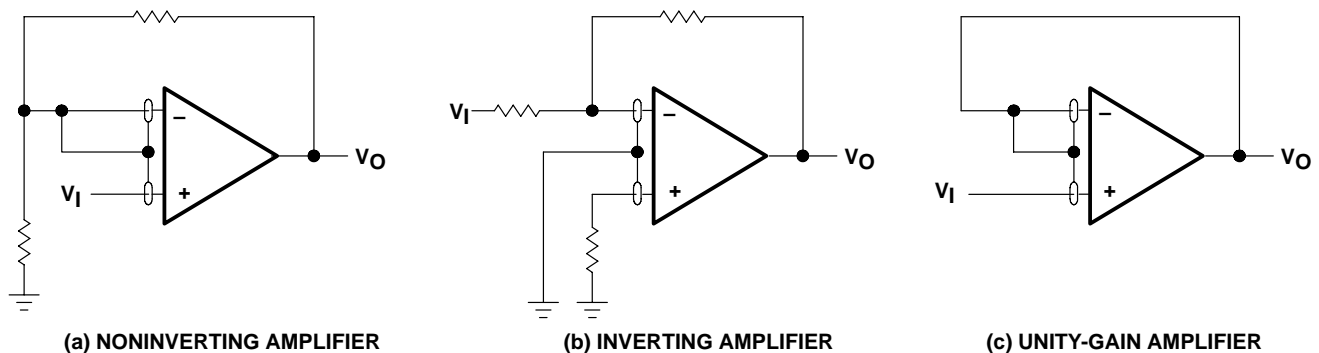


Figure 107. Guard-Ring Schemes

APPLICATION INFORMATION

feedback

Operational amplifier circuits almost always employ feedback, and since feedback is the first prerequisite for oscillation, a little caution is appropriate. Most oscillation problems result from driving capacitive loads and ignoring stray input capacitance. A small-value capacitor connected in parallel with the feedback resistor is an effective remedy (see Figure 108). The value of this capacitor is optimized empirically.

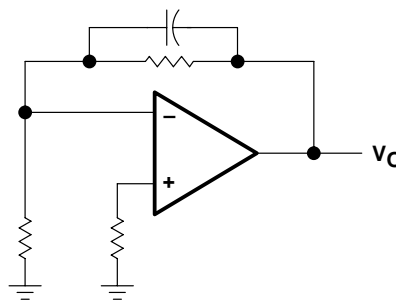


Figure 108. Compensation for Input Capacitance

electrostatic discharge protection

The TLC271 incorporates an internal electrostatic-discharge (ESD) protection circuit that prevents functional failures at voltages up to 2000 V as tested under MIL-STD-883C, Method 3015.2. Care should be exercised, however, when handling these devices as exposure to ESD may result in the degradation of the device parametric performance. The protection circuit also causes the input bias currents to be temperature dependent and have the characteristics of a reverse-biased diode.

latch-up

Because CMOS devices are susceptible to latch-up due to their inherent parasitic thyristors, the TLC271 inputs and output were designed to withstand –100-mA surge currents without sustaining latchup; however, techniques should be used to reduce the chance of latch-up whenever possible. Internal protection diodes should not by design be forward biased. Applied input and output voltage should not exceed the supply voltage by more than 300 mV. Care should be exercised when using capacitive coupling on pulse generators. Supply transients should be shunted by the use of decoupling capacitors (0.1 μF typical) located across the supply rails as close to the device as possible.

The current path established if latch-up occurs is usually between the positive supply rail and ground and can be triggered by surges on the supply lines and/or voltages on either the output or inputs that exceed the supply voltage. Once latch-up occurs, the current flow is limited only by the impedance of the power supply and the forward resistance of the parasitic thyristor and usually results in the destruction of the device. The chance of latch-up occurring increases with increasing temperature and supply voltages.

output characteristics

The output stage of the TLC271 is designed to sink and source relatively high amounts of current (see Typical Characteristics). If the output is subjected to a short-circuit condition, this high current capability can cause device damage under certain conditions. Output current capability increases with supply voltage.

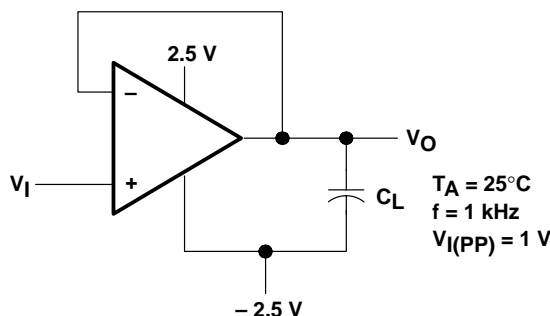


Figure 109. Test Circuit for Output Characteristics

APPLICATION INFORMATION

output characteristics (continued)

All operating characteristics of the TLC271 were measured using a 20-pF load. The devices drive higher capacitive loads; however, as output load capacitance increases, the resulting response pole occurs at lower frequencies, thereby causing ringing, peaking, or even oscillation (see Figures 110, 111, and 112). In many cases, adding some compensation in the form of a series resistor in the feedback loop alleviates the problem.

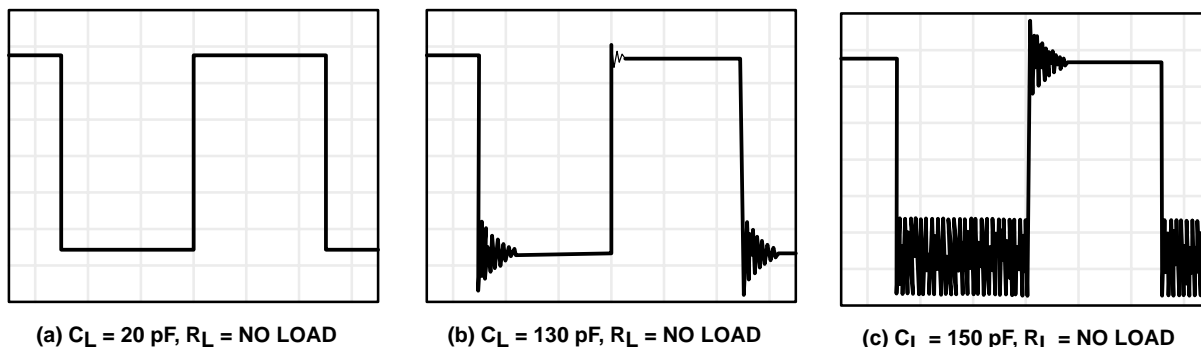


Figure 110. Effect of Capacitive Loads in High-Bias Mode

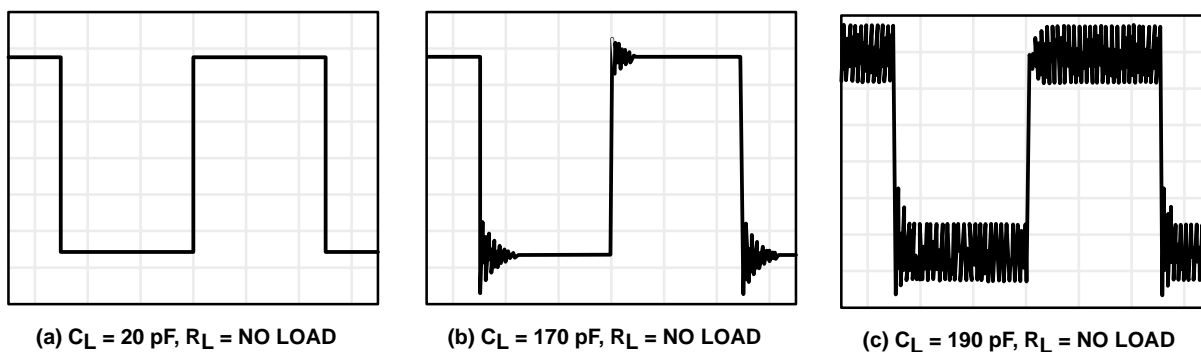


Figure 111. Effect of Capacitive Loads in Medium-Bias Mode

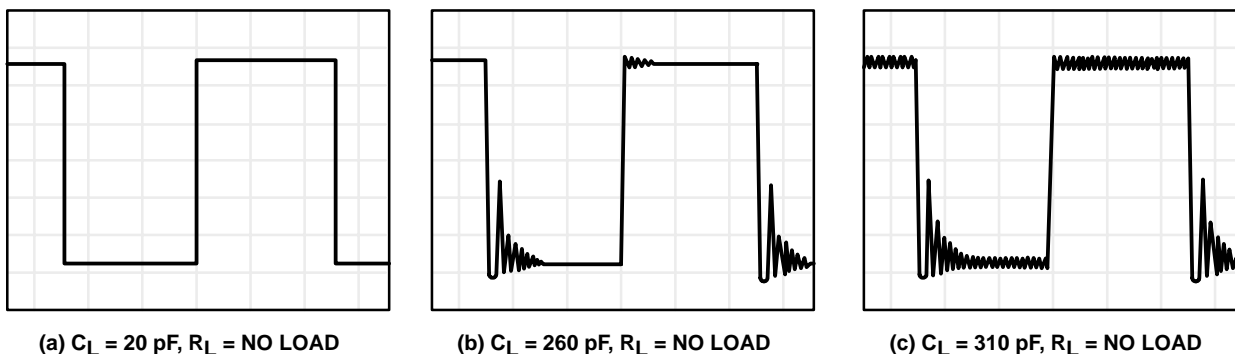


Figure 112. Effect of Capacitive Loads in Low-Bias Mode

APPLICATION INFORMATION

output characteristics (continued)

Although the TLC271 possesses excellent high-level output voltage and current capability, methods are available for boosting this capability, if needed. The simplest method involves the use of a pullup resistor (R_P) connected from the output to the positive supply rail (see Figure 113). There are two disadvantages to the use of this circuit. First, the NMOS pulldown transistor, N4 (see equivalent schematic) must sink a comparatively large amount of current. In this circuit, N4 behaves like a linear resistor with an on-resistance between approximately $60\ \Omega$ and $180\ \Omega$, depending on how hard the operational amplifier input is driven. With very low values of R_P , a voltage offset from 0 V at the output occurs. Secondly, pullup resistor R_P acts as a drain load to N4 and the gain of the operational amplifier is reduced at output voltage levels where N5 is not supplying the output current.

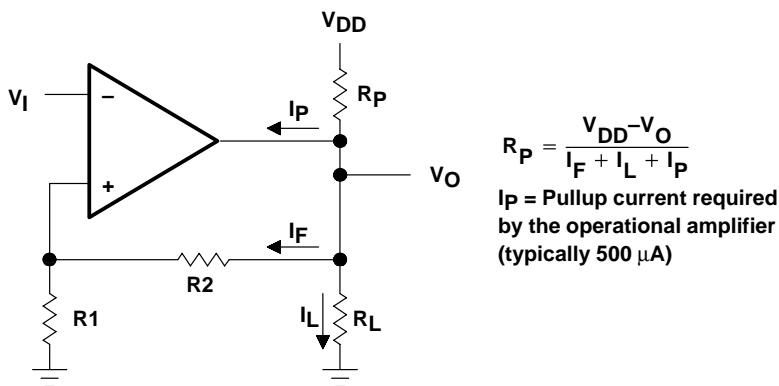
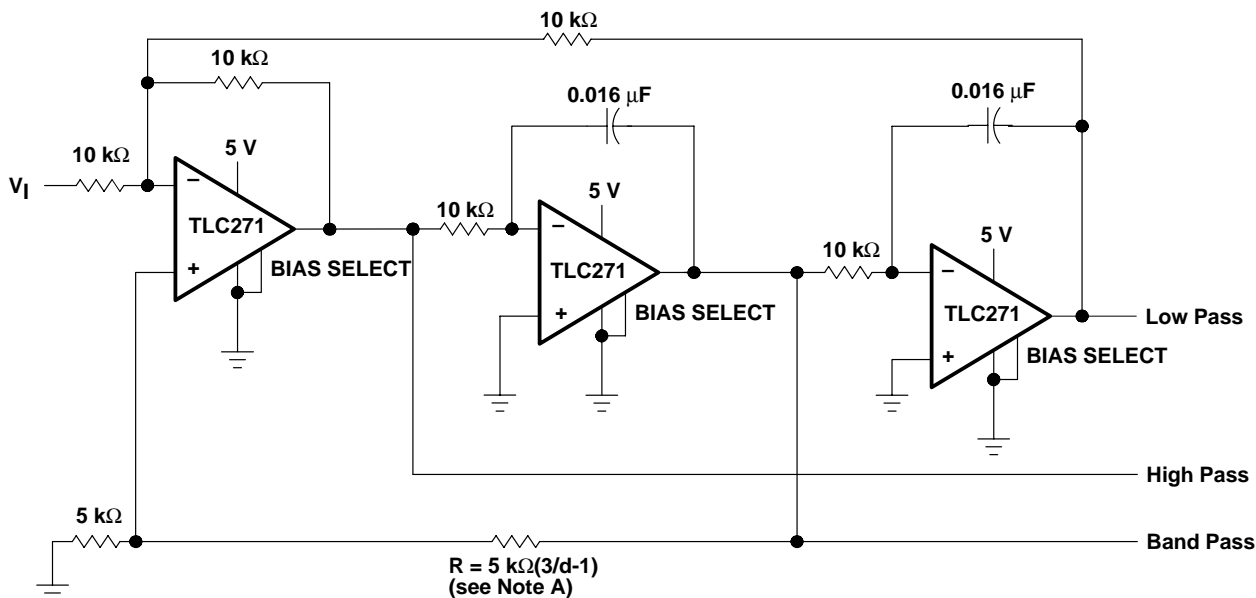


Figure 113. Resistive Pullup to Increase V_{OH}

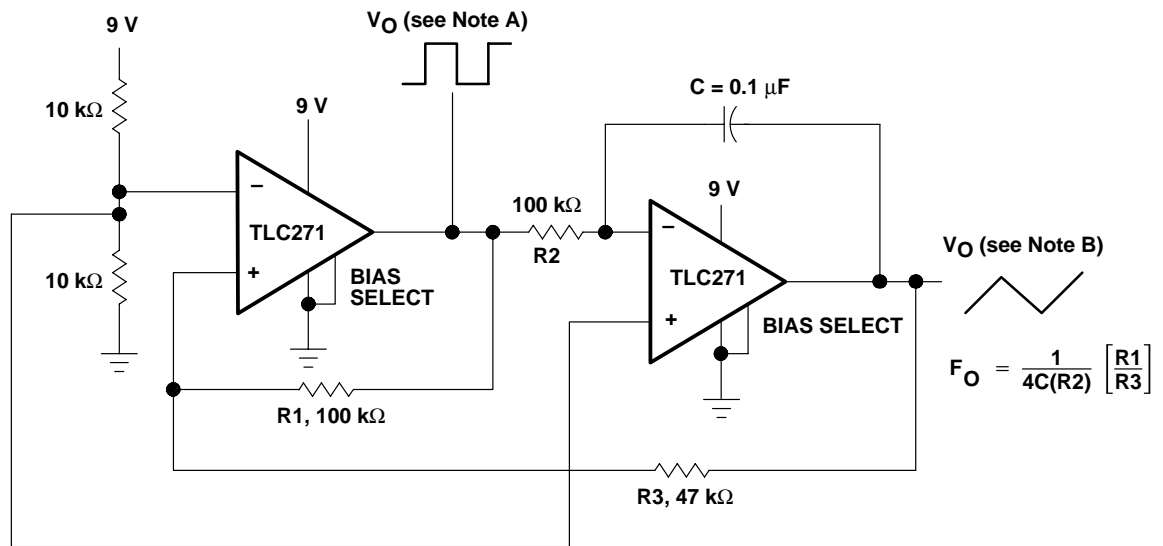


NOTE B: d = damping factor, I/O

Figure 114. State-Variable Filter

APPLICATION INFORMATION

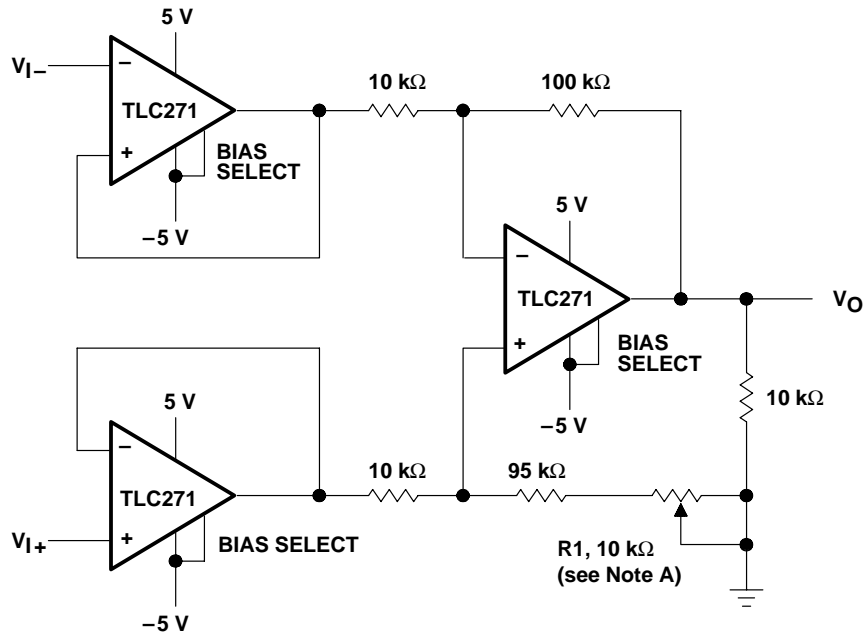
output characteristics (continued)



- NOTES: A. V_{O(PP)} = 8 V
 B. V_{O(PP)} = 4 V

Figure 115. Single-Supply Function Generator

APPLICATION INFORMATION (HIGH-BIAS MODE)



NOTE A: CMRR adjustment must be noninductive.

Figure 116. Low-Power Instrumentation Amplifier

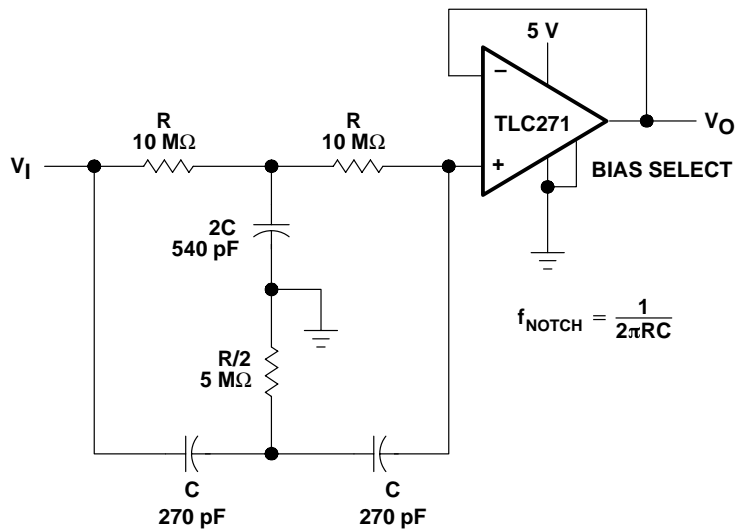
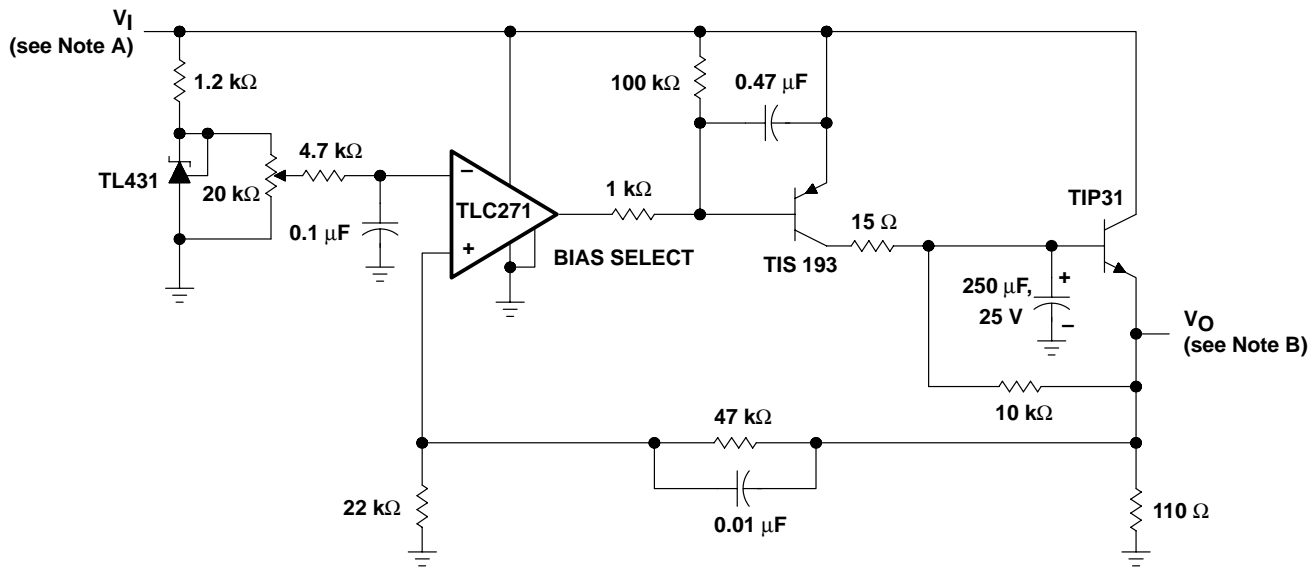


Figure 117. Single-Supply Twin-T Notch Filter

APPLICATION INFORMATION (HIGH-BIAS MODE)



NOTES: A. $V_I = 3.5$ to 15 V
 B. $V_O = 2.0$ V, 0 to 1 A

Figure 118. Logic-Array Power Supply

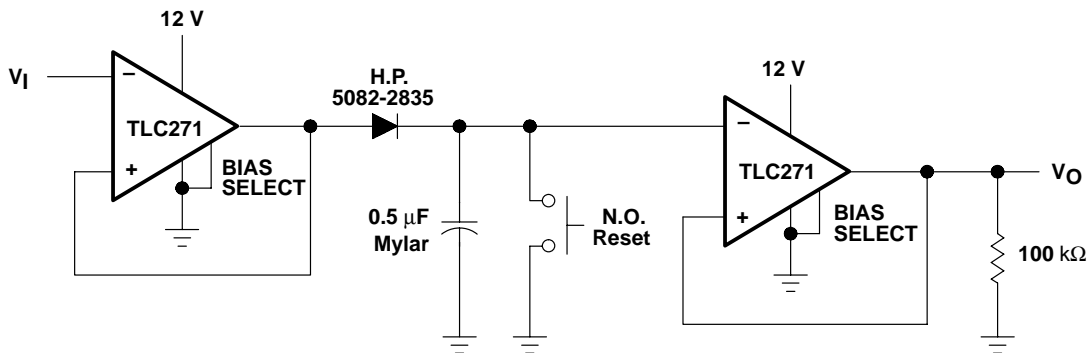
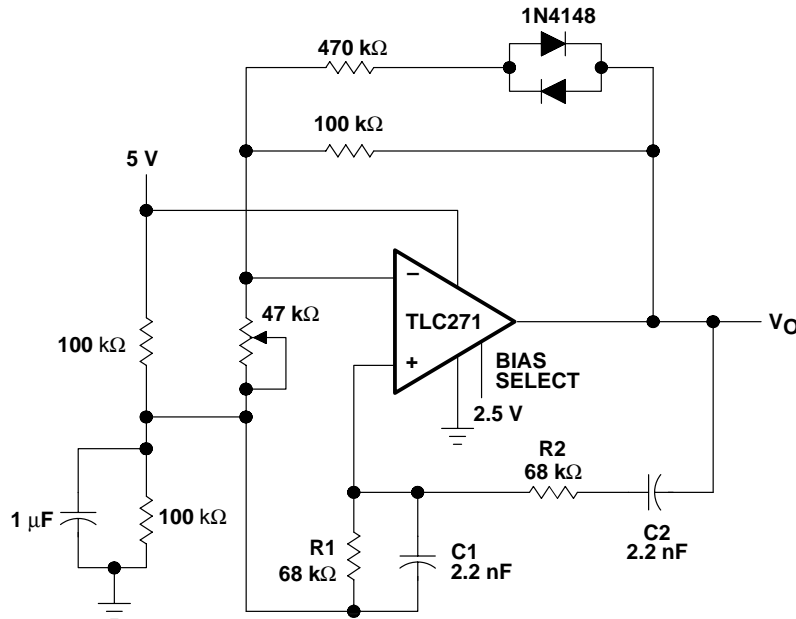


Figure 119. Positive-Peak Detector

APPLICATION INFORMATION (MEDIUM-BIAS MODE)



NOTES: A. $V_{O(PP)} = 2\text{ V}$

B. $f_o = \frac{1}{2\pi\sqrt{R_1R_2C_1C_2}}$

Figure 120. Wein Oscillator

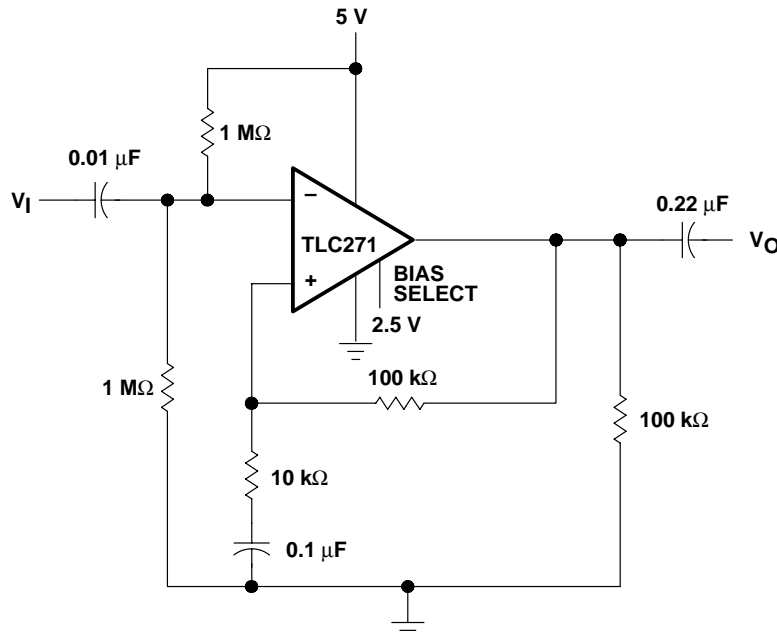
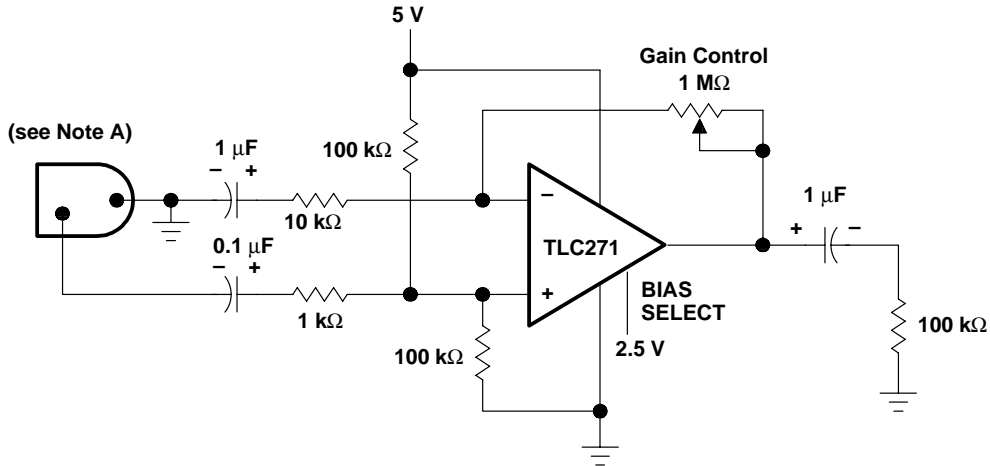


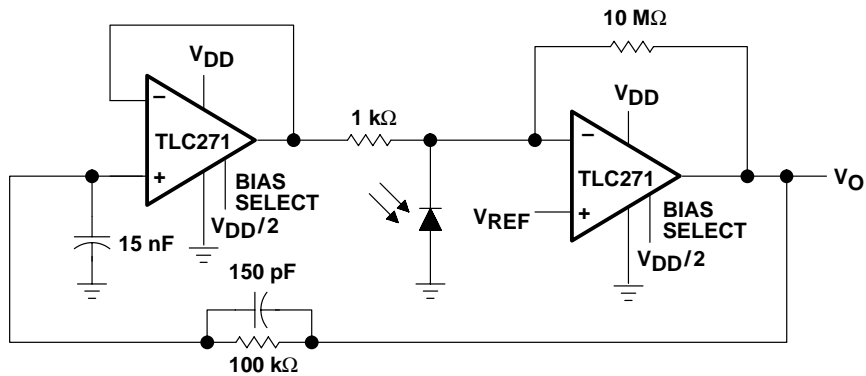
Figure 121. Single-Supply AC Amplifier

APPLICATION INFORMATION (MEDIUM-BIAS MODE)



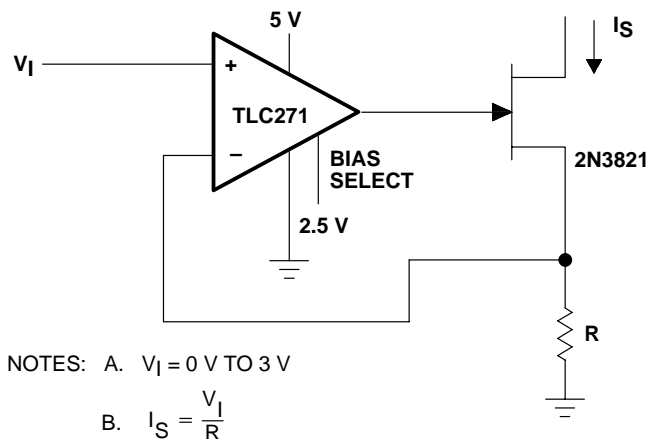
NOTE A: Low to medium impedance dynamic mike

Figure 122. Microphone Preamplifier



NOTES: A. $V_{DD} = 4\text{ V to }15\text{ V}$
 B. $V_{ref} = 0\text{ V to }V_{DD}-2\text{ V}$

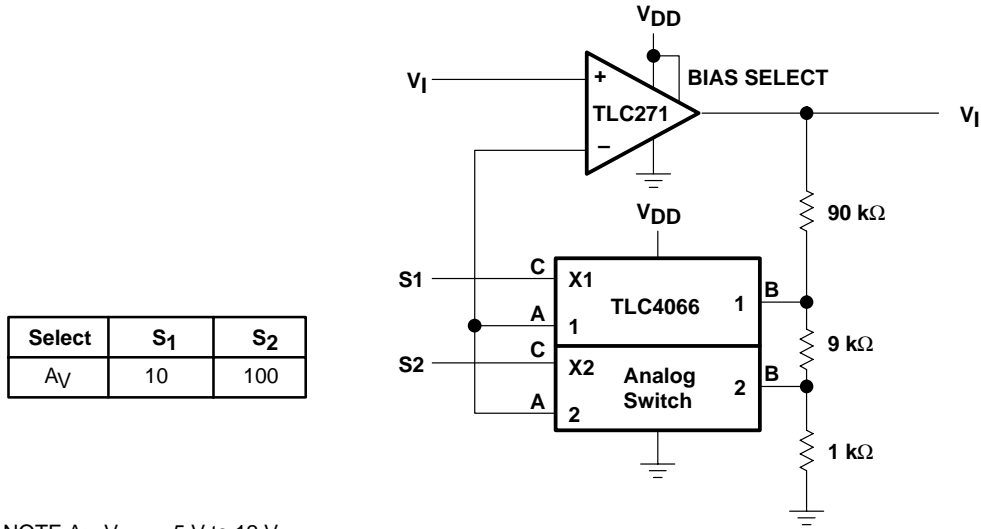
Figure 123. Photo-Diode Amplifier With Ambient Light Rejection



NOTES: A. $V_I = 0\text{ V TO }3\text{ V}$
 B. $I_S = \frac{V_I}{R}$

Figure 124. Precision Low-Current Sink

APPLICATION INFORMATION (LOW-BIAS MODE)



NOTE A: V_{DD} = 5 V to 12 V

Figure 125. Amplifier With Digital Gain Selection

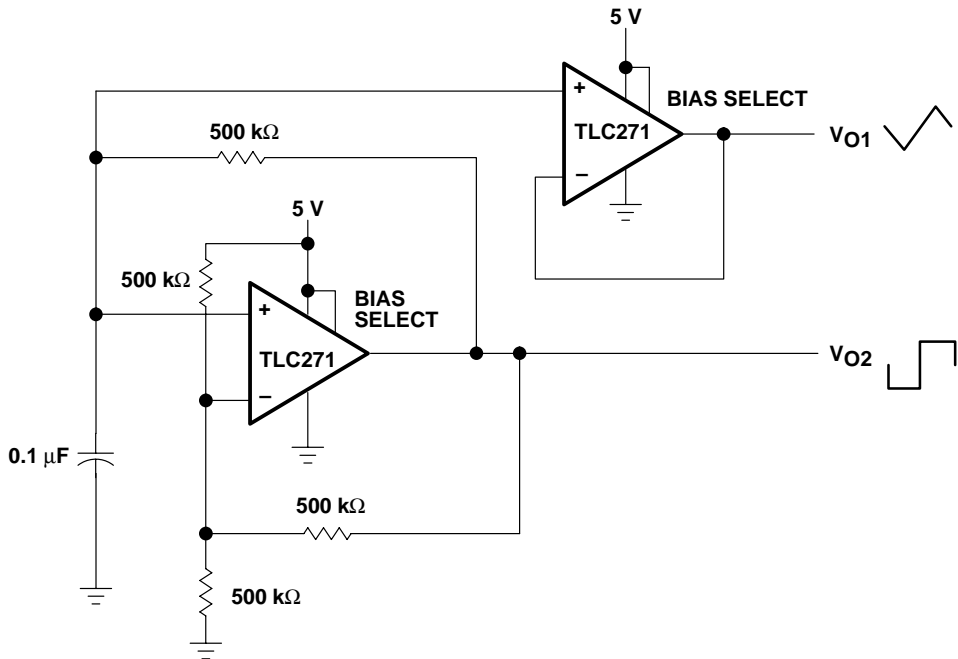
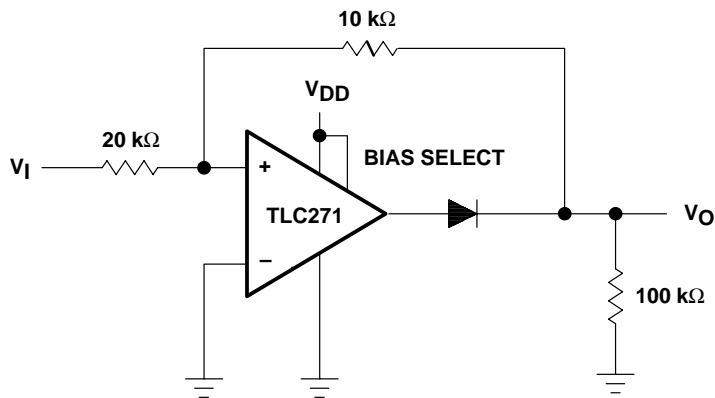


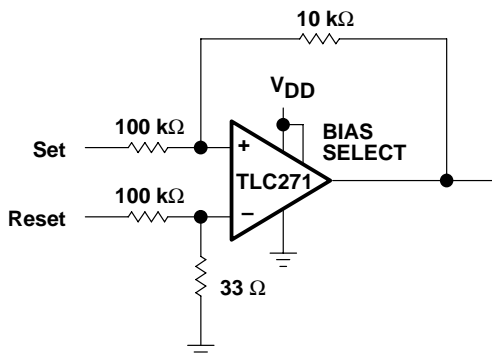
Figure 126. Multivibrator

APPLICATION INFORMATION (LOW-BIAS MODE)



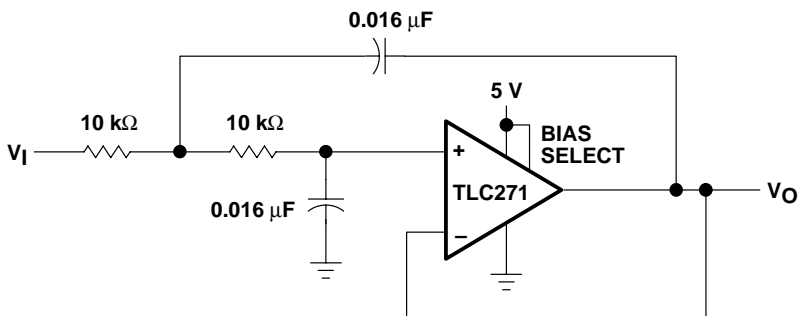
NOTE A: $V_{DD} = 5\text{ V to }16\text{ V}$

Figure 127. Full-Wave Rectifier



NOTE A: $V_{DD} = 5\text{ V to }16\text{ V}$

Figure 128. Set/Reset Flip-Flop



NOTE A: Normalized to $F_C = 1\text{ kHz}$ and $R_L = 10\text{ k}\Omega$

Figure 129. Two-Pole Low-Pass Butterworth Filter

PACKAGING INFORMATION

| Orderable Device | Status (1) | Package Type | Package Drawing | Pins | Package Qty | Eco Plan (2) | Lead finish/ Ball material (6) | MSL Peak Temp (3) | Op Temp (°C) | Device Marking (4/5) | Samples |
|------------------|---------------|--------------|-----------------|------|-------------|-----------------|--------------------------------------|----------------------|--------------|-------------------------|-------------------------|
| TLC271ACD | ACTIVE | SOIC | D | 8 | 75 | RoHS & Green | NIPDAU | Level-1-260C-UNLIM | 0 to 70 | 271AC | Samples |
| TLC271ACDR | ACTIVE | SOIC | D | 8 | 2500 | RoHS & Green | NIPDAU | Level-1-260C-UNLIM | 0 to 70 | 271AC | Samples |
| TLC271ACP | ACTIVE | PDIP | P | 8 | 50 | RoHS & Green | NIPDAU | N / A for Pkg Type | 0 to 70 | TLC271ACP | Samples |
| TLC271ACPS | ACTIVE | SO | PS | 8 | 80 | RoHS & Green | NIPDAU | Level-1-260C-UNLIM | 0 to 70 | P271A | Samples |
| TLC271ACPSR | ACTIVE | SO | PS | 8 | 2000 | RoHS & Green | NIPDAU | Level-1-260C-UNLIM | 0 to 70 | P271A | Samples |
| TLC271AID | ACTIVE | SOIC | D | 8 | 75 | RoHS & Green | NIPDAU | Level-1-260C-UNLIM | -40 to 85 | 271AI | Samples |
| TLC271AIDG4 | ACTIVE | SOIC | D | 8 | 75 | RoHS & Green | NIPDAU | Level-1-260C-UNLIM | -40 to 85 | 271AI | Samples |
| TLC271AIDR | ACTIVE | SOIC | D | 8 | 2500 | RoHS & Green | NIPDAU | Level-1-260C-UNLIM | -40 to 85 | 271AI | Samples |
| TLC271AIP | ACTIVE | PDIP | P | 8 | 50 | RoHS & Green | NIPDAU | N / A for Pkg Type | -40 to 85 | TLC271AIP | Samples |
| TLC271BCD | ACTIVE | SOIC | D | 8 | 75 | RoHS & Green | NIPDAU | Level-1-260C-UNLIM | 0 to 70 | 271BC | Samples |
| TLC271BCDR | ACTIVE | SOIC | D | 8 | 2500 | RoHS & Green | NIPDAU | Level-1-260C-UNLIM | 0 to 70 | 271BC | Samples |
| TLC271BCP | ACTIVE | PDIP | P | 8 | 50 | RoHS & Green | NIPDAU | N / A for Pkg Type | 0 to 70 | TLC271BCP | Samples |
| TLC271BCPS | ACTIVE | SO | PS | 8 | 80 | RoHS & Green | NIPDAU | Level-1-260C-UNLIM | 0 to 70 | P271B | Samples |
| TLC271BID | ACTIVE | SOIC | D | 8 | 75 | RoHS & Green | NIPDAU | Level-1-260C-UNLIM | -40 to 85 | 271BI | Samples |
| TLC271BIDG4 | ACTIVE | SOIC | D | 8 | 75 | RoHS & Green | NIPDAU | Level-1-260C-UNLIM | -40 to 85 | 271BI | Samples |
| TLC271BIDR | ACTIVE | SOIC | D | 8 | 2500 | RoHS & Green | NIPDAU | Level-1-260C-UNLIM | -40 to 85 | 271BI | Samples |
| TLC271BIP | ACTIVE | PDIP | P | 8 | 50 | RoHS & Green | NIPDAU | N / A for Pkg Type | -40 to 85 | TLC271BIP | Samples |
| TLC271CD | ACTIVE | SOIC | D | 8 | 75 | RoHS & Green | NIPDAU | Level-1-260C-UNLIM | 0 to 70 | 271C | Samples |
| TLC271CDR | OBSOLETE | SOIC | D | 8 | | TBD | Call TI | Call TI | 0 to 70 | 271C | |
| TLC271CP | ACTIVE | PDIP | P | 8 | 50 | RoHS & Green | NIPDAU | N / A for Pkg Type | 0 to 70 | TLC271CP | Samples |

| Orderable Device | Status (1) | Package Type | Package Drawing | Pins | Package Qty | Eco Plan (2) | Lead finish/ Ball material (6) | MSL Peak Temp (3) | Op Temp (°C) | Device Marking (4/5) | Samples |
|------------------|---------------|--------------|-----------------|------|-------------|-----------------|--------------------------------------|----------------------|--------------|-------------------------|-------------------------|
| TLC271CPS | ACTIVE | SO | PS | 8 | 80 | RoHS & Green | NIPDAU | Level-1-260C-UNLIM | 0 to 70 | P271 | Samples |
| TLC271CPSR | ACTIVE | SO | PS | 8 | 2000 | RoHS & Green | NIPDAU | Level-1-260C-UNLIM | 0 to 70 | P271 | Samples |
| TLC271CPW | ACTIVE | TSSOP | PW | 8 | 150 | RoHS & Green | NIPDAU | Level-1-260C-UNLIM | 0 to 70 | P271 | Samples |
| TLC271CPWR | ACTIVE | TSSOP | PW | 8 | 2000 | RoHS & Green | NIPDAU | Level-1-260C-UNLIM | 0 to 70 | P271 | Samples |
| TLC271CPWRG4 | ACTIVE | TSSOP | PW | 8 | 2000 | RoHS & Green | NIPDAU | Level-1-260C-UNLIM | 0 to 70 | P271 | Samples |
| TLC271ID | ACTIVE | SOIC | D | 8 | 75 | RoHS & Green | NIPDAU | Level-1-260C-UNLIM | -40 to 85 | 2711 | Samples |
| TLC271IDR | ACTIVE | SOIC | D | 8 | 2500 | RoHS & Green | NIPDAU | Level-1-260C-UNLIM | -40 to 85 | 2711 | Samples |
| TLC271IP | ACTIVE | PDIP | P | 8 | 50 | RoHS & Green | NIPDAU | N / A for Pkg Type | -40 to 85 | TLC271IP | Samples |
| TLC271MDR | ACTIVE | SOIC | D | 8 | 2500 | RoHS & Green | NIPDAU | Level-1-260C-UNLIM | -55 to 125 | 271M | Samples |

(1) The marketing status values are defined as follows:

ACTIVE: Product device recommended for new designs.

LIFEBUY: TI has announced that the device will be discontinued, and a lifetime-buy period is in effect.

NRND: Not recommended for new designs. Device is in production to support existing customers, but TI does not recommend using this part in a new design.

PREVIEW: Device has been announced but is not in production. Samples may or may not be available.

OBSOLETE: TI has discontinued the production of the device.

(2) **RoHS:** TI defines "RoHS" to mean semiconductor products that are compliant with the current EU RoHS requirements for all 10 RoHS substances, including the requirement that RoHS substance do not exceed 0.1% by weight in homogeneous materials. Where designed to be soldered at high temperatures, "RoHS" products are suitable for use in specified lead-free processes. TI may reference these types of products as "Pb-Free".

RoHS Exempt: TI defines "RoHS Exempt" to mean products that contain lead but are compliant with EU RoHS pursuant to a specific EU RoHS exemption.

Green: TI defines "Green" to mean the content of Chlorine (Cl) and Bromine (Br) based flame retardants meet JS709B low halogen requirements of <=1000ppm threshold. Antimony trioxide based flame retardants must also meet the <=1000ppm threshold requirement.

(3) MSL, Peak Temp. - The Moisture Sensitivity Level rating according to the JEDEC industry standard classifications, and peak solder temperature.

(4) There may be additional marking, which relates to the logo, the lot trace code information, or the environmental category on the device.

(5) Multiple Device Markings will be inside parentheses. Only one Device Marking contained in parentheses and separated by a "~" will appear on a device. If a line is indented then it is a continuation of the previous line and the two combined represent the entire Device Marking for that device.

⁽⁶⁾ Lead finish/Ball material - Orderable Devices may have multiple material finish options. Finish options are separated by a vertical ruled line. Lead finish/Ball material values may wrap to two lines if the finish value exceeds the maximum column width.

Important Information and Disclaimer:The information provided on this page represents TI's knowledge and belief as of the date that it is provided. TI bases its knowledge and belief on information provided by third parties, and makes no representation or warranty as to the accuracy of such information. Efforts are underway to better integrate information from third parties. TI has taken and continues to take reasonable steps to provide representative and accurate information but may not have conducted destructive testing or chemical analysis on incoming materials and chemicals. TI and TI suppliers consider certain information to be proprietary, and thus CAS numbers and other limited information may not be available for release.

In no event shall TI's liability arising out of such information exceed the total purchase price of the TI part(s) at issue in this document sold by TI to Customer on an annual basis.

TAPE AND REEL INFORMATION



QUADRANT ASSIGNMENTS FOR PIN 1 ORIENTATION IN TAPE



*All dimensions are nominal

| Device | Package Type | Package Drawing | Pins | SPQ | Reel Diameter (mm) | Reel Width W1 (mm) | A0 (mm) | B0 (mm) | K0 (mm) | P1 (mm) | W (mm) | Pin1 Quadrant |
|-------------|--------------|-----------------|------|------|--------------------|--------------------|---------|---------|---------|---------|--------|---------------|
| TLC271ACDR | SOIC | D | 8 | 2500 | 330.0 | 12.4 | 6.4 | 5.2 | 2.1 | 8.0 | 12.0 | Q1 |
| TLC271ACPSR | SO | PS | 8 | 2000 | 330.0 | 16.4 | 8.35 | 6.6 | 2.5 | 12.0 | 16.0 | Q1 |
| TLC271AIDR | SOIC | D | 8 | 2500 | 330.0 | 12.4 | 6.4 | 5.2 | 2.1 | 8.0 | 12.0 | Q1 |
| TLC271BCDR | SOIC | D | 8 | 2500 | 330.0 | 12.4 | 6.4 | 5.2 | 2.1 | 8.0 | 12.0 | Q1 |
| TLC271BIDR | SOIC | D | 8 | 2500 | 330.0 | 12.4 | 6.4 | 5.2 | 2.1 | 8.0 | 12.0 | Q1 |
| TLC271CDR | SOIC | D | 8 | 2500 | 330.0 | 12.4 | 6.4 | 5.2 | 2.1 | 8.0 | 12.0 | Q1 |
| TLC271CPSR | SO | PS | 8 | 2000 | 330.0 | 16.4 | 8.35 | 6.6 | 2.5 | 12.0 | 16.0 | Q1 |
| TLC271CPWR | TSSOP | PW | 8 | 2000 | 330.0 | 12.4 | 7.0 | 3.6 | 1.6 | 8.0 | 12.0 | Q1 |
| TLC271IDR | SOIC | D | 8 | 2500 | 330.0 | 12.4 | 6.4 | 5.2 | 2.1 | 8.0 | 12.0 | Q1 |
| TLC271MDR | SOIC | D | 8 | 2500 | 330.0 | 12.4 | 6.4 | 5.2 | 2.1 | 8.0 | 12.0 | Q1 |

TAPE AND REEL BOX DIMENSIONS


*All dimensions are nominal

| Device | Package Type | Package Drawing | Pins | SPQ | Length (mm) | Width (mm) | Height (mm) |
|-------------|--------------|-----------------|------|------|-------------|------------|-------------|
| TLC271ACDR | SOIC | D | 8 | 2500 | 340.5 | 338.1 | 20.6 |
| TLC271ACPSR | SO | PS | 8 | 2000 | 356.0 | 356.0 | 35.0 |
| TLC271AIDR | SOIC | D | 8 | 2500 | 340.5 | 338.1 | 20.6 |
| TLC271BCDR | SOIC | D | 8 | 2500 | 340.5 | 338.1 | 20.6 |
| TLC271BIDR | SOIC | D | 8 | 2500 | 340.5 | 338.1 | 20.6 |
| TLC271CDR | SOIC | D | 8 | 2500 | 340.5 | 338.1 | 20.6 |
| TLC271CPSR | SO | PS | 8 | 2000 | 367.0 | 367.0 | 38.0 |
| TLC271CPWR | TSSOP | PW | 8 | 2000 | 356.0 | 356.0 | 35.0 |
| TLC271IDR | SOIC | D | 8 | 2500 | 340.5 | 338.1 | 20.6 |
| TLC271MDR | SOIC | D | 8 | 2500 | 350.0 | 350.0 | 43.0 |

TUBE


*All dimensions are nominal

| Device | Package Name | Package Type | Pins | SPQ | L (mm) | W (mm) | T (µm) | B (mm) |
|-------------|--------------|--------------|------|-----|--------|--------|--------|--------|
| TLC271ACD | D | SOIC | 8 | 75 | 507 | 8 | 3940 | 4.32 |
| TLC271ACP | P | PDIP | 8 | 50 | 506 | 13.97 | 11230 | 4.32 |
| TLC271ACPS | PS | SOP | 8 | 80 | 530 | 10.5 | 4000 | 4.1 |
| TLC271AID | D | SOIC | 8 | 75 | 507 | 8 | 3940 | 4.32 |
| TLC271AIDG4 | D | SOIC | 8 | 75 | 507 | 8 | 3940 | 4.32 |
| TLC271AIP | P | PDIP | 8 | 50 | 506 | 13.97 | 11230 | 4.32 |
| TLC271BCD | D | SOIC | 8 | 75 | 507 | 8 | 3940 | 4.32 |
| TLC271BCP | P | PDIP | 8 | 50 | 506 | 13.97 | 11230 | 4.32 |
| TLC271BCPS | PS | SOP | 8 | 80 | 530 | 10.5 | 4000 | 4.1 |
| TLC271BID | D | SOIC | 8 | 75 | 507 | 8 | 3940 | 4.32 |
| TLC271BIDG4 | D | SOIC | 8 | 75 | 507 | 8 | 3940 | 4.32 |
| TLC271BIP | P | PDIP | 8 | 50 | 506 | 13.97 | 11230 | 4.32 |
| TLC271CD | D | SOIC | 8 | 75 | 507 | 8 | 3940 | 4.32 |
| TLC271CP | P | PDIP | 8 | 50 | 506 | 13.97 | 11230 | 4.32 |
| TLC271CPS | PS | SOP | 8 | 80 | 530 | 10.5 | 4000 | 4.1 |
| TLC271CPW | PW | TSSOP | 8 | 150 | 530 | 10.2 | 3600 | 3.5 |
| TLC271ID | D | SOIC | 8 | 75 | 507 | 8 | 3940 | 4.32 |
| TLC271IP | P | PDIP | 8 | 50 | 506 | 13.97 | 11230 | 4.32 |



D0008A

PACKAGE OUTLINE

SOIC - 1.75 mm max height

SMALL OUTLINE INTEGRATED CIRCUIT



4214825/C 02/2019

NOTES:

- Linear dimensions are in inches [millimeters]. Dimensions in parenthesis are for reference only. Controlling dimensions are in inches. Dimensioning and tolerancing per ASME Y14.5M.
- This drawing is subject to change without notice.
- This dimension does not include mold flash, protrusions, or gate burrs. Mold flash, protrusions, or gate burrs shall not exceed $.006$ [0.15] per side.
- This dimension does not include interlead flash.
- Reference JEDEC registration MS-012, variation AA.

EXAMPLE BOARD LAYOUT

D0008A

SOIC - 1.75 mm max height

SMALL OUTLINE INTEGRATED CIRCUIT



LAND PATTERN EXAMPLE
 EXPOSED METAL SHOWN
 SCALE:8X



SOLDER MASK DETAILS

4214825/C 02/2019

NOTES: (continued)

- 6. Publication IPC-7351 may have alternate designs.
- 7. Solder mask tolerances between and around signal pads can vary based on board fabrication site.

EXAMPLE STENCIL DESIGN

D0008A

SOIC - 1.75 mm max height

SMALL OUTLINE INTEGRATED CIRCUIT



SOLDER PASTE EXAMPLE
BASED ON .005 INCH [0.125 MM] THICK STENCIL
SCALE:8X

4214825/C 02/2019

NOTES: (continued)

8. Laser cutting apertures with trapezoidal walls and rounded corners may offer better paste release. IPC-7525 may have alternate design recommendations.
9. Board assembly site may have different recommendations for stencil design.

MECHANICAL DATA

PS (R-PDSO-G8)

PLASTIC SMALL-OUTLINE PACKAGE



- NOTES:
- A. All linear dimensions are in millimeters.
 - B. This drawing is subject to change without notice.
 - C. Body dimensions do not include mold flash or protrusion, not to exceed 0,15.

PS (R-PDSO-G8)

PLASTIC SMALL OUTLINE



- NOTES:
- All linear dimensions are in millimeters.
 - This drawing is subject to change without notice.
 - Publication IPC-7351 is recommended for alternate designs.
 - Laser cutting apertures with trapezoidal walls and also rounding corners will offer better paste release. Customers should contact their board assembly site for stencil design recommendations. Refer to IPC-7525 for other stencil recommendations.
 - Customers should contact their board fabrication site for solder mask tolerances between and around signal pads.

P (R-PDIP-T8)

PLASTIC DUAL-IN-LINE PACKAGE



- NOTES:
- A. All linear dimensions are in inches (millimeters).
 - B. This drawing is subject to change without notice.
 - C. Falls within JEDEC MS-001 variation BA.

PW0008A



PACKAGE OUTLINE
TSSOP - 1.2 mm max height

SMALL OUTLINE PACKAGE



4221848/A 02/2015

NOTES:

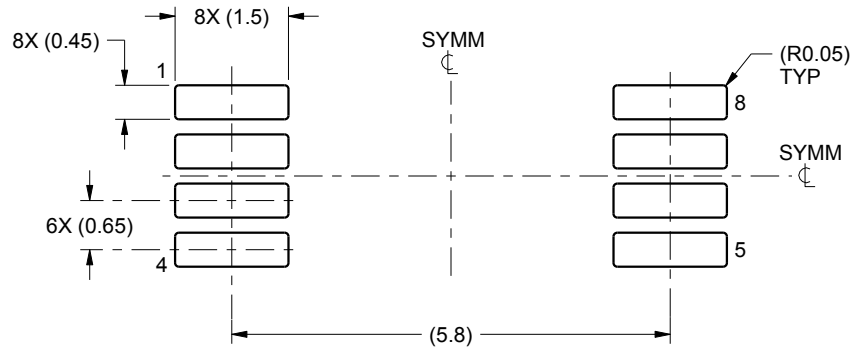
1. All linear dimensions are in millimeters. Any dimensions in parenthesis are for reference only. Dimensioning and tolerancing per ASME Y14.5M.
2. This drawing is subject to change without notice.
3. This dimension does not include mold flash, protrusions, or gate burrs. Mold flash, protrusions, or gate burrs shall not exceed 0.15 mm per side.
4. This dimension does not include interlead flash. Interlead flash shall not exceed 0.25 mm per side.
5. Reference JEDEC registration MO-153, variation AA.

EXAMPLE BOARD LAYOUT

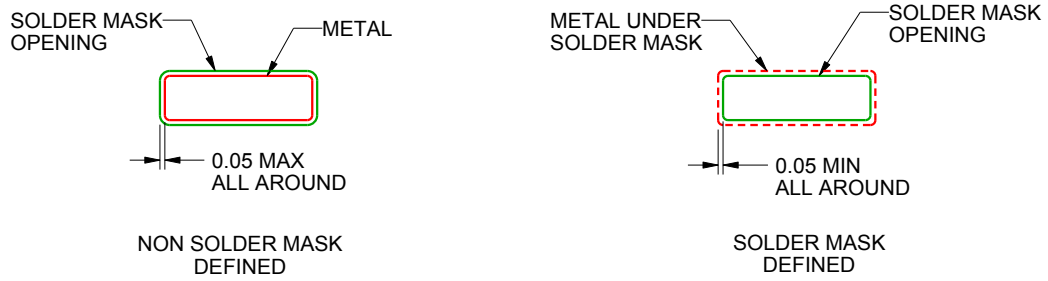
PW0008A

TSSOP - 1.2 mm max height

SMALL OUTLINE PACKAGE



LAND PATTERN EXAMPLE
SCALE:10X



SOLDER MASK DETAILS
NOT TO SCALE

4221848/A 02/2015

NOTES: (continued)

- 6. Publication IPC-7351 may have alternate designs.
- 7. Solder mask tolerances between and around signal pads can vary based on board fabrication site.

EXAMPLE STENCIL DESIGN

PW0008A

TSSOP - 1.2 mm max height

SMALL OUTLINE PACKAGE



SOLDER PASTE EXAMPLE
BASED ON 0.125 mm THICK STENCIL
SCALE:10X

4221848/A 02/2015

NOTES: (continued)

8. Laser cutting apertures with trapezoidal walls and rounded corners may offer better paste release. IPC-7525 may have alternate design recommendations.
9. Board assembly site may have different recommendations for stencil design.

IMPORTANT NOTICE AND DISCLAIMER

TI PROVIDES TECHNICAL AND RELIABILITY DATA (INCLUDING DATA SHEETS), DESIGN RESOURCES (INCLUDING REFERENCE DESIGNS), APPLICATION OR OTHER DESIGN ADVICE, WEB TOOLS, SAFETY INFORMATION, AND OTHER RESOURCES "AS IS" AND WITH ALL FAULTS, AND DISCLAIMS ALL WARRANTIES, EXPRESS AND IMPLIED, INCLUDING WITHOUT LIMITATION ANY IMPLIED WARRANTIES OF MERCHANTABILITY, FITNESS FOR A PARTICULAR PURPOSE OR NON-INFRINGEMENT OF THIRD PARTY INTELLECTUAL PROPERTY RIGHTS.

These resources are intended for skilled developers designing with TI products. You are solely responsible for (1) selecting the appropriate TI products for your application, (2) designing, validating and testing your application, and (3) ensuring your application meets applicable standards, and any other safety, security, regulatory or other requirements.

These resources are subject to change without notice. TI grants you permission to use these resources only for development of an application that uses the TI products described in the resource. Other reproduction and display of these resources is prohibited. No license is granted to any other TI intellectual property right or to any third party intellectual property right. TI disclaims responsibility for, and you will fully indemnify TI and its representatives against, any claims, damages, costs, losses, and liabilities arising out of your use of these resources.

TI's products are provided subject to [TI's Terms of Sale](#) or other applicable terms available either on [ti.com](https://www.ti.com) or provided in conjunction with such TI products. TI's provision of these resources does not expand or otherwise alter TI's applicable warranties or warranty disclaimers for TI products.

TI objects to and rejects any additional or different terms you may have proposed.

Mailing Address: Texas Instruments, Post Office Box 655303, Dallas, Texas 75265
Copyright © 2024, Texas Instruments Incorporated