

BUILD A THREE PHASE SINE WAVE GENERATOR WITH THE UAF42

By Johnnie Molina (602) 746-7592

Figure 1 shows how a three phase sine wave oscillator can be built using one UAF42 state variable filter along with some resistors and diodes. Three output nodes are available; highpass out, bandpass out and lowpass out. The signal at the bandpass and lowpass out nodes are 90° and 180° out of phase, respectively, with the highpass out node. An on-chip auxiliary op amp is available for use as a buffer or gain stage.

SETTING THE FREQUENCY OF OSCILLATION

The frequency of oscillation is set with resistors R_{F1} and R_{F2} using Equation 1.

$$f_{osc} = \frac{1}{2\pi RC} \quad (1)$$

Where,

$$R = R_{F1} = R_{F2}$$

$$C = C_1 = C_2 = 1000\text{pF}$$

The max f_{osc} obtainable using the UAF42 state variable filter is 100kHz. Distortion becomes a factor though for frequencies above 10kHz. For low frequencies of oscillation ($f_{osc} < 100\text{Hz}$), the use of external capacitors is recommended. They should be placed in parallel with the internally supplied C_1 and C_2 capacitors. This will reduce the

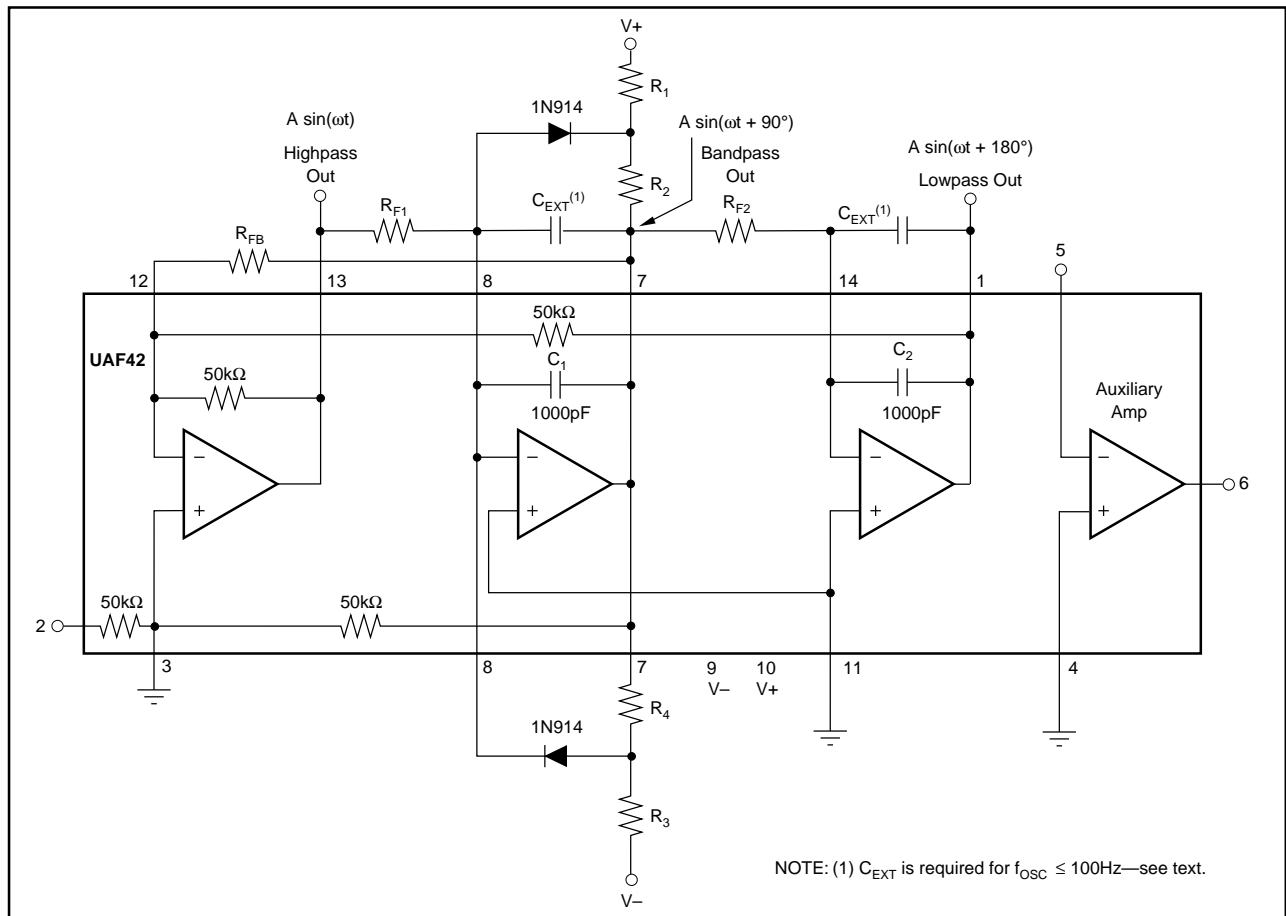


FIGURE 1. Three Phase Quadrature Oscillator.

value of frequency setting resistors R_{F1} and R_{F2} which can exceed tens of megohms for low frequency oscillator designs. An NPO ceramic or mica capacitor is recommended. The value used for C in Equation 1 should be the sum of both the external and on-chip 0.5% 1000pF capacitor.

SETTING THE SIGNAL MAGNITUDE

Resistors R_1 , R_2 , R_3 and R_4 should be selected using Equation 2 to set the desired signal amplitude.

$$\frac{R_1}{R_2} = \frac{R_3}{R_4} = \frac{V_O + V_{SUPPLY}}{V_O - 0.15} - 1 \quad (2)$$

Actual signal amplitude may vary somewhat from the designed for value. This is due to the non-ideal characteristics of the diodes and op amps. Some gain adjustment on the R_1/R_2 and R_3/R_4 ratios, or the auxiliary op amp gain stage (if used), may be required.

START UP

Resistor R_{FB} provides a positive feedback path from the bandpass out node to the summing amplifier input. This provides the necessary “start up” required to begin oscillation. Suggested values are shown in Table I below.

f_{osc}	R_{FB}
$\geq 1\text{kHz}$	10M Ω
10Hz to 1kHz	5M Ω
$< 10\text{Hz}$	750k Ω

TABLE I.

Note that resistor R_{FB} influences the signal magnitude since it introduces positive feedback in the first integrator/summing amplifier loop. Using smaller values than those suggested above may increase the signal amplitude and introduce distortion. The time required to begin oscillation is proportional to the frequency of oscillation. Low frequency designs can be started quickly by switching in a 1k Ω resistor in parallel with R_{FB} at turn on and then switching it out.

Example:

To design a 1kHz, 1.4V peak oscillator, use Equation 1 to calculate the value of frequency setting resistors R_{F1} and R_{F2} .

$$R_{F1} = R_{F2} = \frac{1}{2 \pi 1\text{kHz} (10^{-9})} = 159.2\text{k}\Omega$$

Use Equation 2 to determine values for signal magnitude setting resistors R_1 , R_2 and R_3 , R_4 .

$$\frac{R_1}{R_2} = \frac{R_3}{R_4} = \frac{V_O + V_{CC}}{V_O - 0.15} - 1$$

Assuming $V_{SUPPLY} = 15\text{V}$,

$$\frac{R_1}{R_2} = \frac{R_3}{R_4} = 12.1$$

Setting R_1 and R_3 equal to 12.1k Ω and R_2 and R_4 equal to 1k Ω provides the proper resistor ratios. Note that these resistors act as loads to the internal op amp. The maximum load current for the UAF42 is 10mA. Table I indicates that R_{FB} should be a 10M Ω resistor.

The information provided herein is believed to be reliable; however, BURR-BROWN assumes no responsibility for inaccuracies or omissions. BURR-BROWN assumes no responsibility for the use of this information, and all use of such information shall be entirely at the user's own risk. Prices and specifications are subject to change without notice. No patent rights or licenses to any of the circuits described herein are implied or granted to any third party. BURR-BROWN does not authorize or warrant any BURR-BROWN product for use in life support devices and/or systems.

IMPORTANT NOTICE

Texas Instruments and its subsidiaries (TI) reserve the right to make changes to their products or to discontinue any product or service without notice, and advise customers to obtain the latest version of relevant information to verify, before placing orders, that information being relied on is current and complete. All products are sold subject to the terms and conditions of sale supplied at the time of order acknowledgment, including those pertaining to warranty, patent infringement, and limitation of liability.

TI warrants performance of its semiconductor products to the specifications applicable at the time of sale in accordance with TI's standard warranty. Testing and other quality control techniques are utilized to the extent TI deems necessary to support this warranty. Specific testing of all parameters of each device is not necessarily performed, except those mandated by government requirements.

Customers are responsible for their applications using TI components.

In order to minimize risks associated with the customer's applications, adequate design and operating safeguards must be provided by the customer to minimize inherent or procedural hazards.

TI assumes no liability for applications assistance or customer product design. TI does not warrant or represent that any license, either express or implied, is granted under any patent right, copyright, mask work right, or other intellectual property right of TI covering or relating to any combination, machine, or process in which such semiconductor products or services might be or are used. TI's publication of information regarding any third party's products or services does not constitute TI's approval, warranty or endorsement thereof.